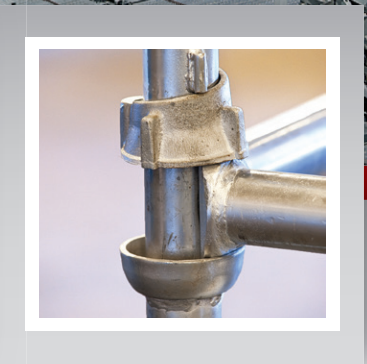
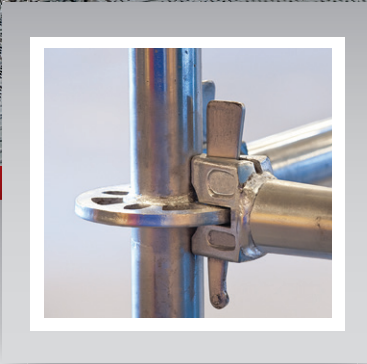
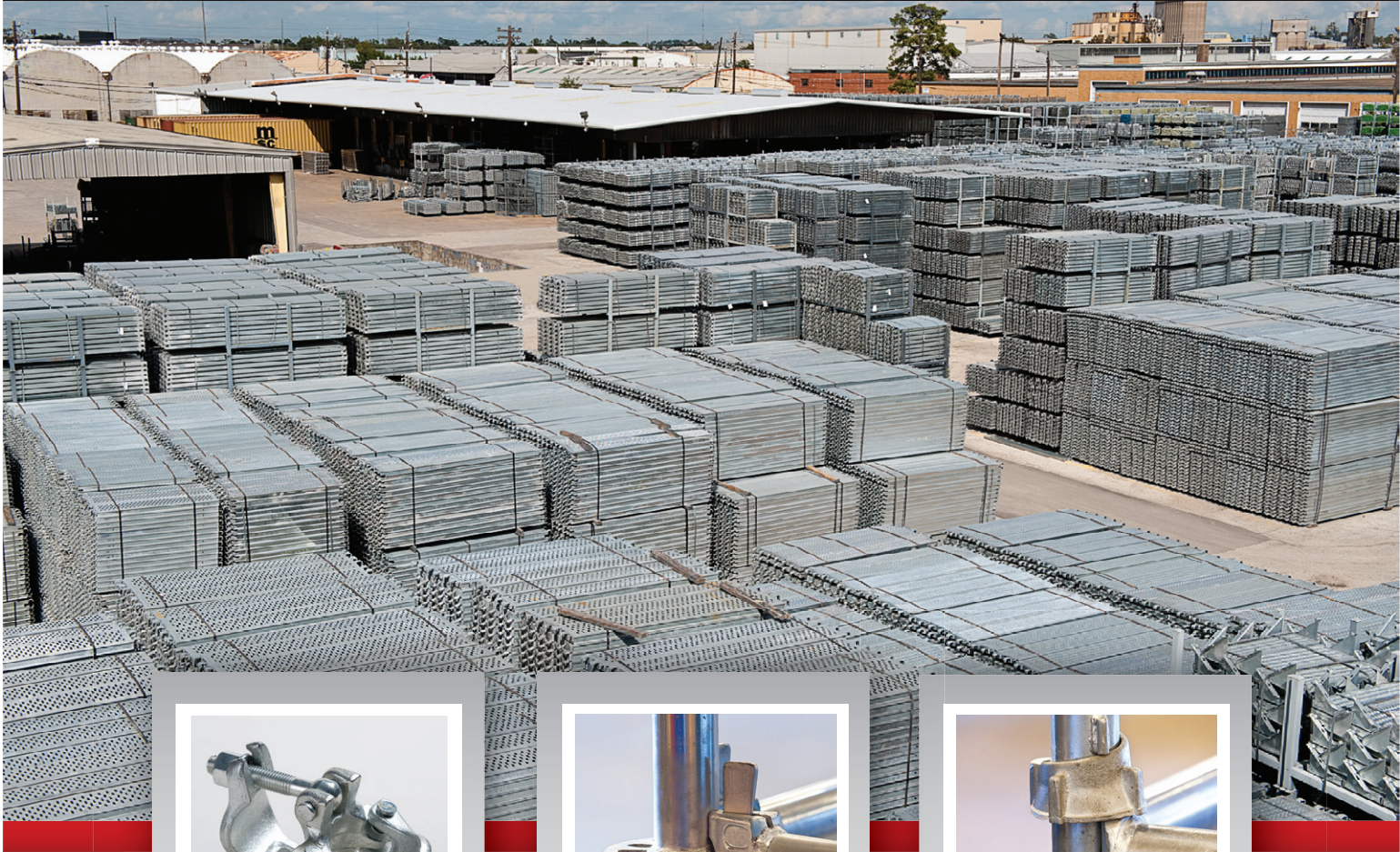


PRODUCT CATALOG



DSS 



INTRODUCTION

For decades, **Direct Scaffold Supply** has accommodated the special needs of the construction and petrochemical industries. Our commitment to industry-leading quality assurance, extensive employee training and factory certification are unmatched and our proprietary manufacturing and logistics programs ensure that you receive delivery of the safest most reliable scaffolding products wherever in the world you need them on time, every time. We are here to help you retain your competitive edge.

Quality Steel Means Quality Scaffolding

At **Direct Scaffold Supply** we are committed to quality in every step of the scaffold manufacturing process. All the steel we use comes with mill certifications, but we don't stop there. We use an independent lab to verify that all steel arriving in our factories meets or exceeds the appropriate ASTM/ANSI Specifications.

Our Commitment to Safety

We provide extensive classroom and on the job training for all members of our factory team. Our welding procedures were written by an independent professional engineer, and were qualified by testing at independent labs. We constantly qualify all of our welders to the AWS D1.1 standard.

Reliability

All of the products produced by **Direct Scaffold Supply** carry a warranty, and we also have full product liability insurance issued by US carriers. We know that your safety depends on our scaffolding, so we go above and beyond in our quality assurance programs to ensure that the scaffolding that you receive is the safest and most reliable available anywhere in the world. We are proud to have earned ISO 9001:2000 certification for all of our manufacturing facilities.

Compatibility

We verified, through independent professional engineers, that all of our scaffolding products and accessories are compatible with other major US and European Manufacturers.

Value

Our diversified manufacturing base provides us with sufficient manufacturing capacity to meet your requirements. Plus it creates a distinct competitive advantage. We implement our industry leading quality assurance programs in all of our overseas factories, and combine those resources with the technical knowledge and experience of our US operations. This allows **Direct Scaffold Supply** to offer you a distinct cost advantage and creates significant value for our customers.

Quality by Design

At **Direct Scaffold Supply**, we take a common sense approach to good business. We start with quality people, manufacture quality products and work hard to establish and maintain quality relationships with our customers. We look forward to the privilege of working with you and the opportunity to demonstrate our commitment to quality manufacturing, business excellence and above all CUSTOMER SATISFACTION.



TABLE OF CONTENTS

| PRODUCTS & INFORMATION | PAGE |
|---------------------------------|-------------|
| INTRODUCTION | 2 |
| CUP SECTION | CL-1 |
| TUBE SPECIFICATIONS | CL-2 |
| VERTICALS | CL-3 |
| HORIZONTALS..... | CL-4 |
| TRUSSES | CL-5 |
| CLAMP BRACES..... | CL-6 |
| FACE BRACES | CL-7 |
| BOARD BRACKET | CL-8 |
| CASTER ADAPTER | CL-9 |
| DECK ADAPTER..... | CL-10 |
| CALIFORNIA GUARDRAIL..... | CL-11 |
| GUARDRAIL POST | CL-12 |
| SUPPORT SPIGOT | CL-13 |
| ALUMINUM STAIR STRINGER..... | CL-14 |
| STAIR TREADS | CL-15 |
| INTERMEDIATE TRANSOME..... | CL-16 |
| RING LOCK SECTION..... | RL-1 |
| TUBE SPECIFICATIONS | RL-2 |
| VERTICALS | RL-3 |
| LEDGERS | RL-4 |
| LEDGERS - CONT. | RL-5 |
| DOUBLE LEDGERS..... | RL-6 |
| LATTICE GIRDER..... | RL-7 |
| BOARD BRACKET | RL-8 |
| STARTER COLLAR..... | RL-9 |
| VERTICAL DIAGONAL..... | RL-10 |
| VERTICAL DIAGONAL..... | RL-11 |
| GUARDRAIL POSTS..... | RL-12 |
| SUSPENDED CONNECTOR | RL-13 |
| SUPPORT SPIGOT CLAMPS | RL-14 |
| STAIR STRINGERS AND STEPS | RL-15 |
| STAIR STRINGERS AND STEPS | RL-16 |
| RING LOCK CASTER ADAPTER..... | RL-17 |
| INTERMEDIATE TRANSOM | RL-18 |



TABLE OF CONTENTS - CONT.

| PRODUCTS & INFORMATION CONT. | PAGE |
|-----------------------------------|-------------|
| SPEED RING SECTION..... | SR-1 |
| TUBE SPECIFICATIONS | SR-2 |
| VERTICALS | SR-3 |
| HORIZONTALS..... | SR-4 |
| DOUBLE LEDGER..... | SR-6 |
| LATTICE GIRDER..... | SR-7 |
| BASE COLLAR | SR-8 |
| DIAGONAL..... | SR-9 |
| CASTER OUTRIGGER..... | SR-10 |
| ACCESSORIES SECTION..... | AC-1 |
| SYSTEM JACK WITH BASE PLATE..... | AC-2 |
| SWIVEL SYSTEM JACK | AC-3 |
| SHORING BASE JACKS..... | AC-4 |
| UNIVERSAL SYSTEM SPIGOT..... | AC-5 |
| PINS..... | AC-6 |
| RIGID BASE PLATE | AC-7 |
| GATES | AC-8 |
| GATE ADAPTERS | AC-9 |
| UNIVERSAL TOE BOARD..... | AC-10 |
| DAVIT ARMS | AC-11 |
| CATWALK GRATING | AC-12 |
| EXPANDED CATWALK GRATING..... | AC-13 |
| CATWALK GRATING CLIPS | AC-14 |
| HEAVY POST SHORE..... | AC-15 |
| MEDIUM POST SHORE..... | AC-16 |
| BASKETS | AC-17 |
| CASTERS | AC-18 |
| PLATE CASTERS | AC-19 |
| U-JACK..... | AC-20 |
| ADJUSTABLE U-HEAD JACK..... | AC-21 |
| SCAFFOLD TAGS | AC-22 |
| SCAFFOLD TAGS | AC-23 |



TABLE OF CONTENTS - CONT.

| PRODUCTS & INFORMATION CONT. | PAGE |
|--|-------------|
| CLAMPS SECTION..... | CP-1 |
| TWIST LOCK TUBE..... | CP-2 |
| I-BOLT CLAMPS | CP-3 |
| WIDE BODY CLAMPS | CP-4 |
| BEAM CLAMP..... | CP-5 |
| RING SYSTEM ACCESSORY CLAMPS..... | CP-6 |
| TUBE COUPLERS | CP-7 |
| T BOLT CLAMPS..... | CP-8 |
| WEDGE CLAMPS | CP-9 |
| LADDERS SECTION | LD-1 |
| 17" WIDE LADDER & BRACKET..... | LD-2 |
| 17" WIDE NON-SLIP LADDER & BRACKET | LD-3 |
| HEAVY DUTY STEEL LADDER & BRACKET..... | LD-4 |
| LADDER RING TYPE..... | LD-5 |
| SAU CHANNEL STYLE LADDER | LD-6 |
| CAGE RINGS | LD-7 |
| BOILER SYSTEM SECTION | BS-1 |
| THROAT HEADER | BS-2 |
| FRAMES & FRAME STARTER | BS-3 |
| BASE BEAM | BS-4 |
| SADDLE BRACE | BS-5 |
| VEE CHAIR | BS-6 |



TABLE OF CONTENTS - CONT.

| PRODUCTS & INFORMATION CONT. | PAGE |
|--|-------------|
| WALK BOARD SECTION | WB-1 |
| 9" STEEL PLANK..... | WB-2 |
| 9" LOW PROFILE STEEL PLANK | WB-3 |
| 9" LOW PROFILE STEEL PLANK | WB-4 |
| 9-1/2" LOW PROFILE STEEL PLANK | WB-5 |
| 12-1/2" STEEL PLANK | WB-6 |
| 12-1/2" ALUMINUM PLANK | WB-7 |
| 12-1/2" ALUMINUM PLANK | WB-8 |
| 7-9/16" FILLER STEEL PLANK | WB-9 |
| 9.5" ALL ALUMINUM WALK BOARD | WB-10 |
| 19" ALL ALUMINUM PLANK..... | WB-11 |
| 19" ALUMINUM PLYWOOD BOARD..... | WB-12 |
| 19" ALUMINUM PLYWOOD BOARD..... | WB-13 |
| 19" WIDE ALUMINUM DEEP RAIL PLYWOOD BOARD | WB-14 |
| 19" WIDE ALUMINUM DEEP RAIL STEEL TOP BOARD..... | WB-16 |
| 19" WIDE ALUMINUM FRAME STEEL DECK | WB-16 |
| 9" STEEL BATON BOARD | WB-17 |
| STAGE BOARDS | WB-18 |
| STAGE BOARDS | WB-19 |
| CORNER BRACKET WALKBOARD | WB-20 |
| 28" HATCH PLANK W/ ALUMINUM LADDER | WB-21 |



PRODUCT CATALOG
DSSCAT
UPDATED: 04/07/2016

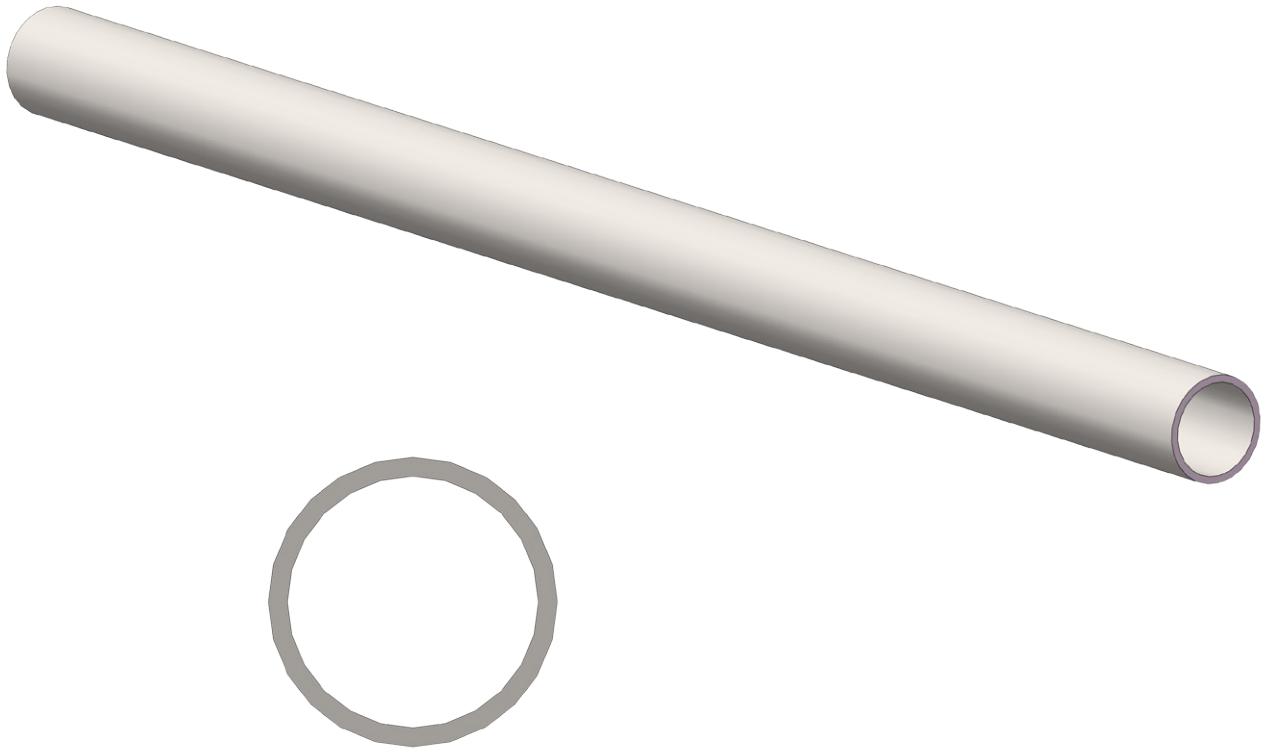


CUP LOCK SECTION

World Headquarters: 6059 South Loop East | Houston, TX 77087 | Offices In: Hong Kong | China | Latin America | Canada

713-673-7701 Phone | 800-720-6629 Toll Free | www.dss.net

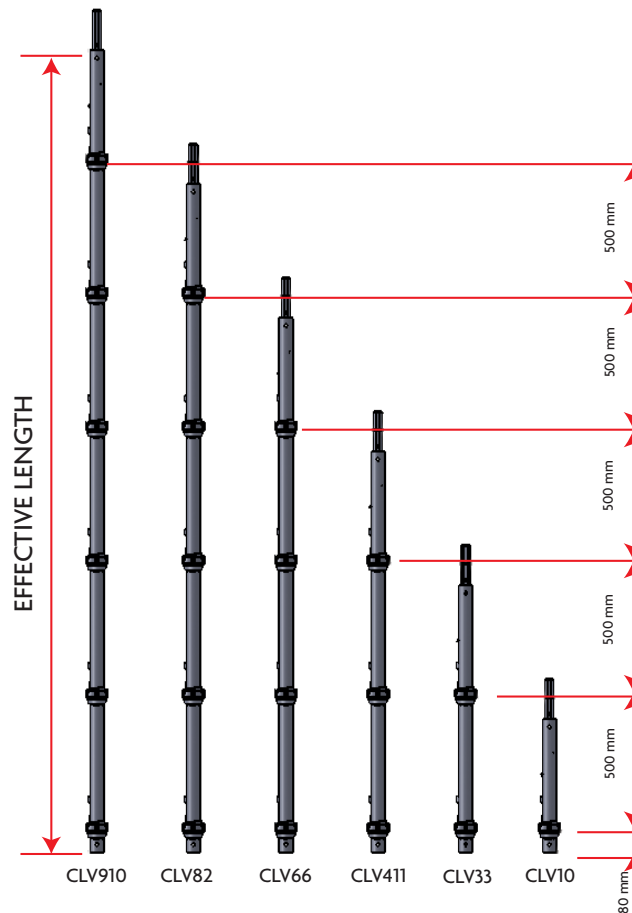
TUBE SPECIFICATIONS



| | Diameter | | Thickness | | Minimum Tensile | | Minimum Yield | |
|------|----------|------|-----------|------|-----------------|--------|---------------|--------|
| | In | mm | In | mm | Mpa | ksi | Mpa | ksi |
| CLV | 1.9 | 48.3 | 0.13 | 3.25 | 517 | 75,000 | 414 | 60,000 |
| CLH | 1.9 | 48.3 | 0.13 | 3.25 | 517 | 75,000 | 414 | 60,000 |
| CLFB | 1.9 | 48.3 | 0.091 | 2.3 | 483 | 70,000 | 345 | 50,000 |
| CLCB | 1.9 | 48.3 | 0.091 | 2.3 | 483 | 70,000 | 345 | 50,000 |

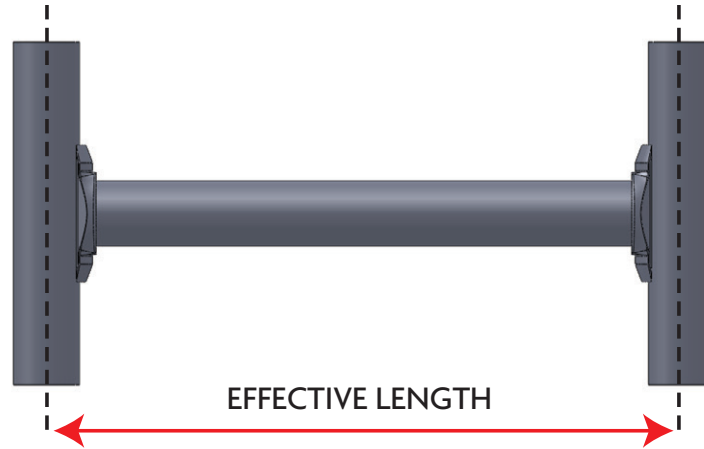
NOTE: Minimum Elongation at 2in/50.8mm is 20%

VERTICALS



| Product Code | Description | Effective Length | | Weight | |
|--------------|----------------|------------------|--------|--------|------|
| | | Inches | Meters | Lb | Kg |
| CLV10 | 1 Cup Vertical | 19.69 | 0.50 | 9.6 | 3.5 |
| CLV33 | 2 Cup Vertical | 39.37 | 1.00 | 13.6 | 6.2 |
| CLV411 | 3 Cup Vertical | 59.06 | 1.50 | 19.1 | 8.7 |
| CLV66 | 4 Cup Vertical | 78.74 | 2.00 | 25 | 11.4 |
| CLV82 | 5 Cup Vertical | 98.43 | 2.50 | 31.4 | 14.2 |
| CLV910 | 6 Cup Vertical | 118.11 | 3.00 | 36.4 | 16.5 |

HORIZONTALS



| Imperial Sizes | | | | | | Metric Sizes | | | | | |
|----------------|------------------------|------------|--------|--------|------|--------------|----------------------------|------------|--------|--------|------|
| Product Code | Description | Bay Length | | Weight | | Product Code | Description | Bay Length | | Weight | |
| | | Inches | Meters | Lb | Kg | | | Inches | Meters | Lb | Kg |
| CLH110 | 1'-10" Cup Lock Horiz. | 22 | 0.56 | 5.2 | 2.4 | CLH110 | 1'-10" Cup Lock Horiz. | 22 | 0.56 | 5.2 | 2.4 |
| CLH27 | 2'-7" Cup Lock Horiz. | 31 | 0.79 | 7.0 | 3.2 | CLH27 | 2'-7" Cup Lock Horiz. | 31 | 0.79 | 7.0 | 3.2 |
| CLH30 | 3' Cup Lock Horiz. | 36 | 0.91 | 8.4 | 3.8 | CLH211 | 2'-11" Cup Lock Horiz. | 35.4 | 0.90 | 8.2 | 3.7 |
| CLH36 | 3'-6" Cup Lock Horiz. | 42 | 1.07 | 9.4 | 4.3 | CLH36 | 3'-6" Cup Lock Horiz. | 42 | 1.07 | 9.4 | 4.3 |
| CLH40 | 4' Cup Lock Horiz. | 48 | 1.22 | 10.6 | 4.8 | CLH41 | 4'-1" Cup Lock Horiz. | 49.2 | 1.25 | 10.8 | 4.9 |
| CLH50 | 5' Cup Lock Horiz. | 60 | 1.52 | 13.0 | 5.9 | CLH43* | 4'-3-3/16" Cup Lock Horiz. | 51.2 | 1.3 | 11.5 | 5.2 |
| CLH60 | 6' Cup Lock Horiz. | 72 | 1.83 | 15.4 | 7.0 | CLH411 | 4'-11" Cup Lock Horiz. | 59 | 1.50 | 12.8 | 5.8 |
| CLH70 | 7' Cup Lock Horiz. | 84 | 2.13 | 18.0 | 8.2 | CLH511 | 5'-11" Cup Lock Horiz. | 70.9 | 1.80 | 15.4 | 7.0 |
| CLH80 | 8' Cup Lock Horiz. | 96 | 2.44 | 21.0 | 9.5 | CLH70 | 7' Cup Lock Horiz. | 84 | 2.13 | 18.0 | 8.2 |
| CLH90 | 9' Cup Lock Horiz. | 108 | 2.74 | 23.0 | 10.4 | CLH82 | 8'-2" Cup Lock Horiz. | 98.4 | 2.50 | 21.2 | 9.6 |
| CLH100 | 10' Cup Lock Horiz. | 120 | 3.05 | 25.8 | 11.7 | CLH100 | 10' Cup Lock Horiz. | 120 | 3.05 | 25.8 | 11.7 |

*Item not stocked

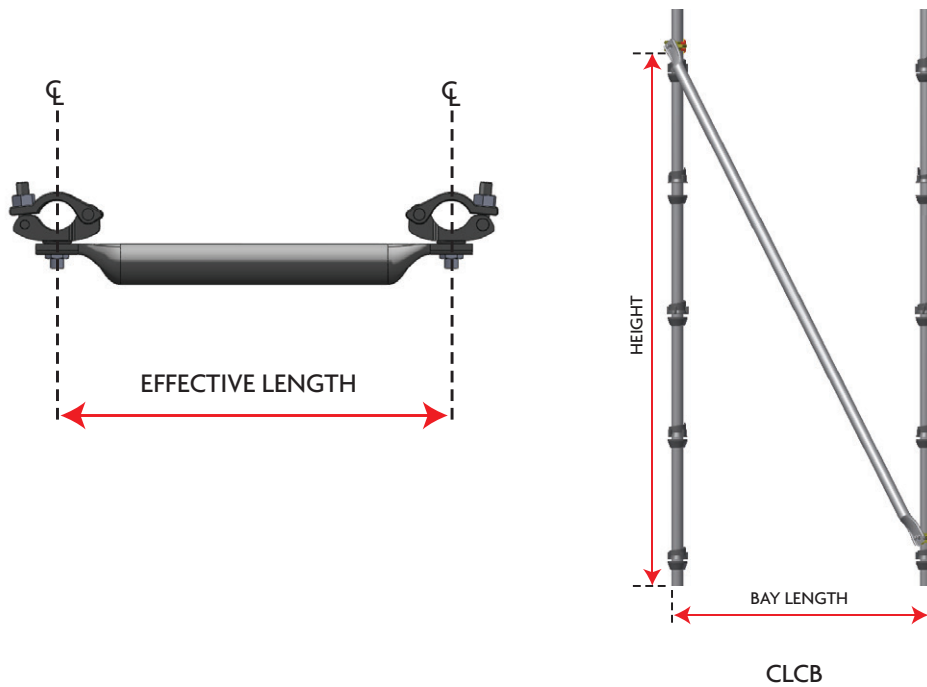
TRUSSES



| Product Code | Description | Effective Length | | Weight | |
|--------------|----------------------|------------------|--------|--------|------|
| | | Inches | Meters | Lb | Kg |
| CLTB70 | 7' Cup Lock Truss | 84 | 2.13 | 35.3 | 16.0 |
| CLTB80 | 8' Cup Lock Truss | 96 | 2.44 | 53.8 | 24.4 |
| CLTB82* | 8'-2" Cup Lock Truss | 98 | 2.50 | 56.7 | 25.7 |
| CLTB90 | 9' Cup Lock Truss | 108 | 2.74 | 60.6 | 27.5 |
| CLTB100 | 10' Cup Lock Truss | 120 | 3.05 | 67.0 | 30.4 |
| CLTB120 | 12' Cup Lock Truss | 144 | 3.66 | 79.4 | 36.0 |
| CLTB140 | 14' Cup Lock Truss | 168 | 4.27 | 90.4 | 41.7 |
| CLTB160 | 16' Cup Lock Truss | 192 | 4.88 | 109.1 | 49.5 |
| CLTB180 | 18' Cup Lock Truss | 216 | 5.49 | 120.8 | 54.8 |
| CLTB200 | 20' Cup Lock Truss | 240 | 6.10 | 154.1 | 69.9 |
| CLTB210 | 21' Cup Lock Truss | 252 | 6.401 | 194.9 | 88.4 |

*Item not stocked

CLAMP BRACES

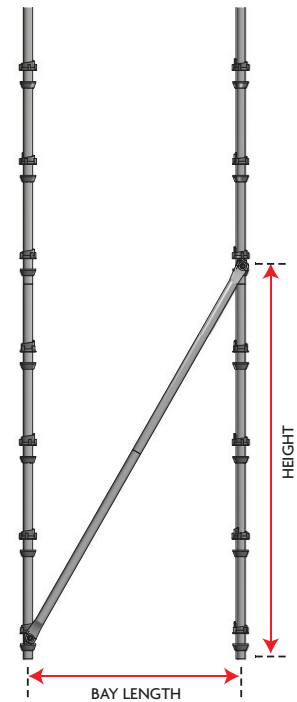
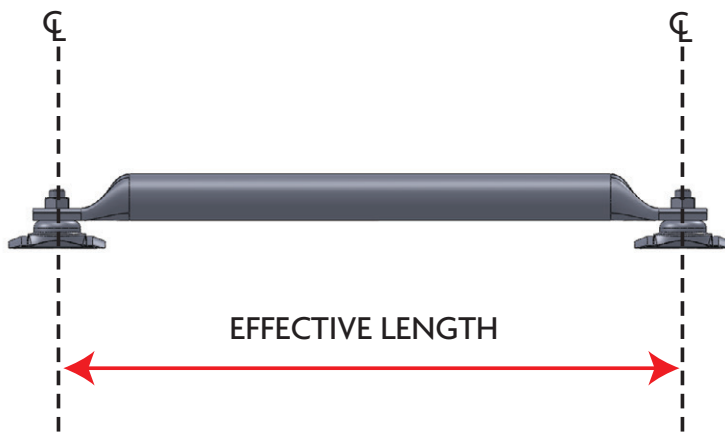


| Product Code | Description | Bay Length | | Height | | Effective Length | | Weight | |
|--------------|--------------------------|------------|--------|--------|---|------------------|--------|--------|------|
| | | Inches | Meters | In | M | Inches | Meters | Lb | Kg |
| CLCB40* | 4' Clamp Brace Swivel | 48 | 1.22 | 78 | 2 | 92 | 2.3 | 17.51 | 7.9 |
| CLCB50 | 5' Clamp Brace Swivel | 60 | 1.52 | 78 | 2 | 99 | 2.5 | 20.16 | 9.1 |
| CLCB70 | 7' Clamp Brace Swivel | 84 | 2.13 | 78 | 2 | 115 | 2.92 | 23.24 | 10.5 |
| CLCB80 | 8' Clamp Brace Swivel | 96 | 2.44 | 78 | 2 | 124 | 3.2 | 25.03 | 11.4 |
| CLCB82 | 8'-2" Clamp Brace Swivel | 98 | 2.5 | 78 | 2 | 126 | 3.2 | 25.4 | 11.5 |
| CLCB86 | 8'-6" Clamp Brace Swivel | 101 | 2.57 | 78 | 2 | 128 | 3.3 | 25.87 | 11.7 |
| CLCB90 | 9' Clamp Brace Swivel | 108 | 2.74 | 78 | 2 | 134 | 3.4 | 26.84 | 12.2 |
| CLCB100 | 10' Clamp Brace Swivel | 120 | 3.05 | 78 | 2 | 144 | 3.6 | 28.71 | 13 |

Note: Braces are designed with a 2 meter (6'6") vertical drop across the bay.

*Item not stocked

FACE BRACES



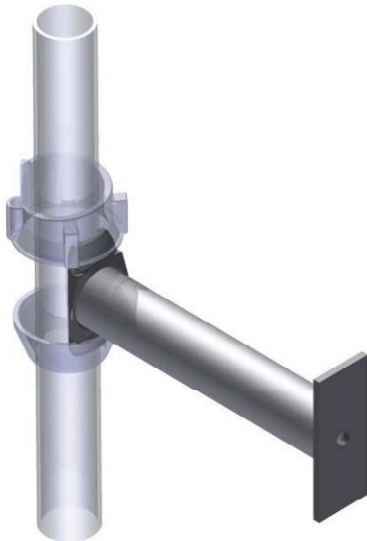
| Imperial Sizes | | | | | |
|----------------|-----------------------|------------------|--------|--------|------|
| Product Code | Description | Effective Length | | Weight | |
| | | Inches | Meters | Lb | Kg |
| CLFB40* | 4' Face Brace Swivel | 92.2 | 2.34 | 15.9 | 7.2 |
| CLFB50* | 5' Face Brace Swivel | 98.9 | 2.52 | 16.9 | 7.7 |
| CLFB70 | 7' Face Brace Swivel | 115.1 | 2.92 | 19.3 | 8.7 |
| CLFB80 | 8' Face Brace Swivel | 124.2 | 3.15 | 20.3 | 9.3 |
| CLFB90* | 9' Face Brace Swivel | 133.7 | 3.39 | 22 | 10 |
| CLFB100 | 10' Face Brace Swivel | 143.5 | 3.65 | 23.4 | 10.6 |

| Metric Sizes | | | | | |
|--------------|--------------------------|------------------|--------|--------|-----|
| Product Code | Description | Effective Length | | Weight | |
| | | Inches | Meters | Lb | Kg |
| CLFB511* | 5'-11" Face Brace Swivel | 105.9 | 2.69 | 18.5 | 8.4 |
| CLFB82 | 8'-2" Face Brace Swivel | 126.1 | 3.2 | 20.9 | 9.5 |

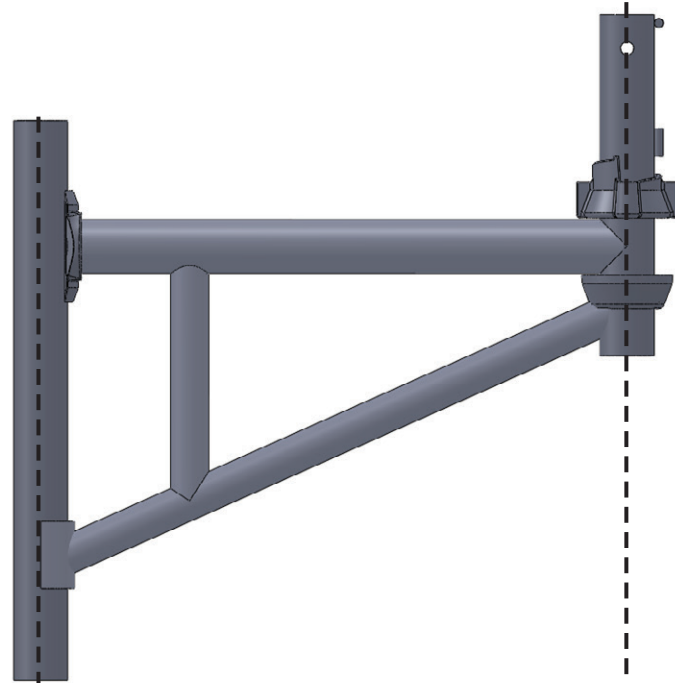
Note: The Face brace is designed with an intended 2 meter (6'6") vertical drop.

*Item not stocked

BOARD BRACKET

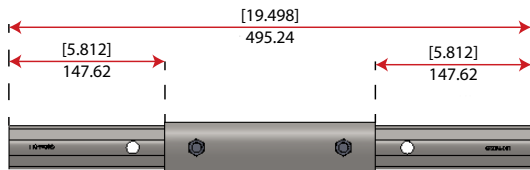


CLBB10



EFFECTIVE LENGTH

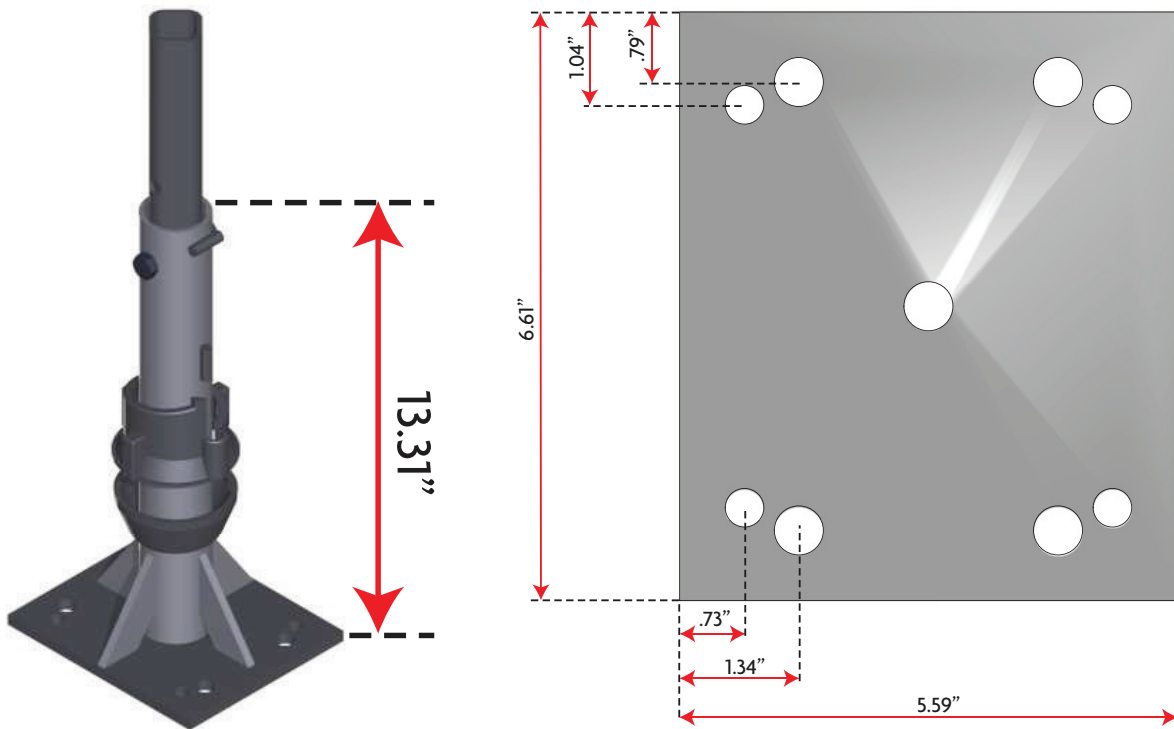
CLBB27 & CLBB110



CLEA17

| Product Code | Description | Effective Length | | Weight | |
|--------------|-----------------------|------------------|--------|--------|-----|
| | | Inches | Meters | Lb | Kg |
| CLBB10 | 1' Board Bracket | 11.4 | 0.29 | 3.3 | 1.5 |
| CLBB110 | 2' Board Bracket | 22.2 | 0.57 | 12.6 | 5.7 |
| CLBB27 | 3' Board Bracket | 31.3 | 0.80 | 17.0 | 7.7 |
| CLEA17 | Cup Lock Ext. Adapter | 7.8 | 0.20 | 5.2 | 2.4 |

CASTER ADAPTER



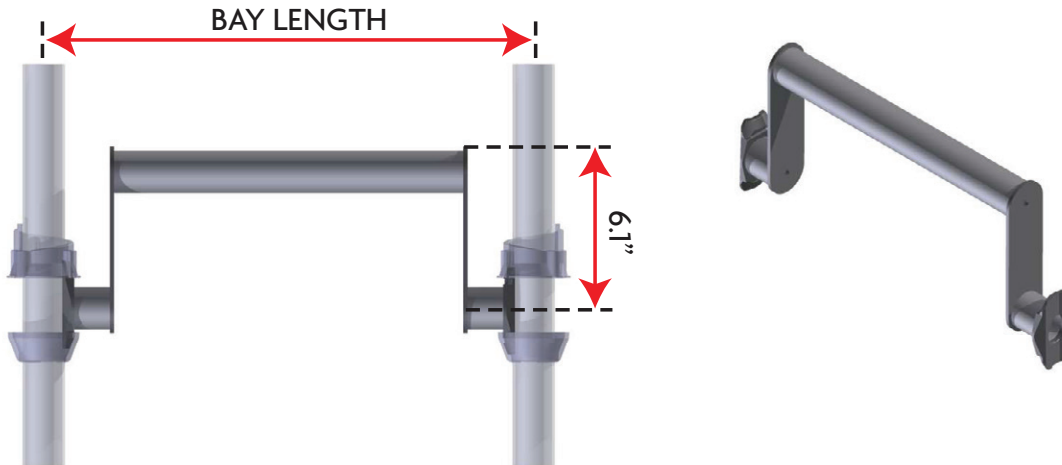
| Product Code | Description | Weight | |
|--------------|----------------|--------|-----|
| | | Lb | Kg |
| CLCA | Caster Adaptor | 10.7 | 4.8 |

DECK ADAPTER



| Product Code | Description | Weight | |
|--------------|------------------|--------|-----|
| | | Lb | Kg |
| CLDA | 25" Deck Adapter | 12.0 | 5.4 |

CALIFORNIA GUARDRAIL



| Product Code | Description | Bay Length | | Weight | |
|--------------|-----------------------------|------------|--------|--------|------|
| | | Inches | Meters | Lb | Kg |
| CLGR110 | 1'-10" California Guardrail | 22 | 0.56 | 6.9 | 3.2 |
| CLGR22* | 2'-2" California Guardrail | 26 | 0.64 | 8.5 | 3.9 |
| CLGR27 | 2'-7" California Guardrail | 31 | 0.79 | 8.8 | 4.0 |
| CLGR30 | 3' California Guardrail | 36 | 0.91 | 9.8 | 4.4 |
| CLGR310* | 3'-10" California Guardrail | 46 | 1.17 | 10.1 | 4.6 |
| CLGR40 | 4' California Guardrail | 48 | 1.22 | 12.4 | 5.6 |
| CLGR50 | 5' California Guardrail | 60 | 1.52 | 14.6 | 6.6 |
| CLGR52* | 5'-2" California Guardrail | 62 | 1.57 | 15.1 | 6.8 |
| CLGR60 | 6' California Guardrail | 72 | 1.83 | 17.1 | 7.7 |
| CLGR70 | 7' California Guardrail | 84 | 2.13 | 19.9 | 9.0 |
| CLGR80 | 8' California Guardrail | 96 | 2.44 | 22.0 | 10.0 |
| CLGR90 | 9' California Guardrail | 108 | 2.74 | 24.6 | 11.1 |
| CLGR100 | 10' California Guardrail | 120 | 3.05 | 26.9 | 12.2 |

*Item not stocked

GUARDRAIL POST



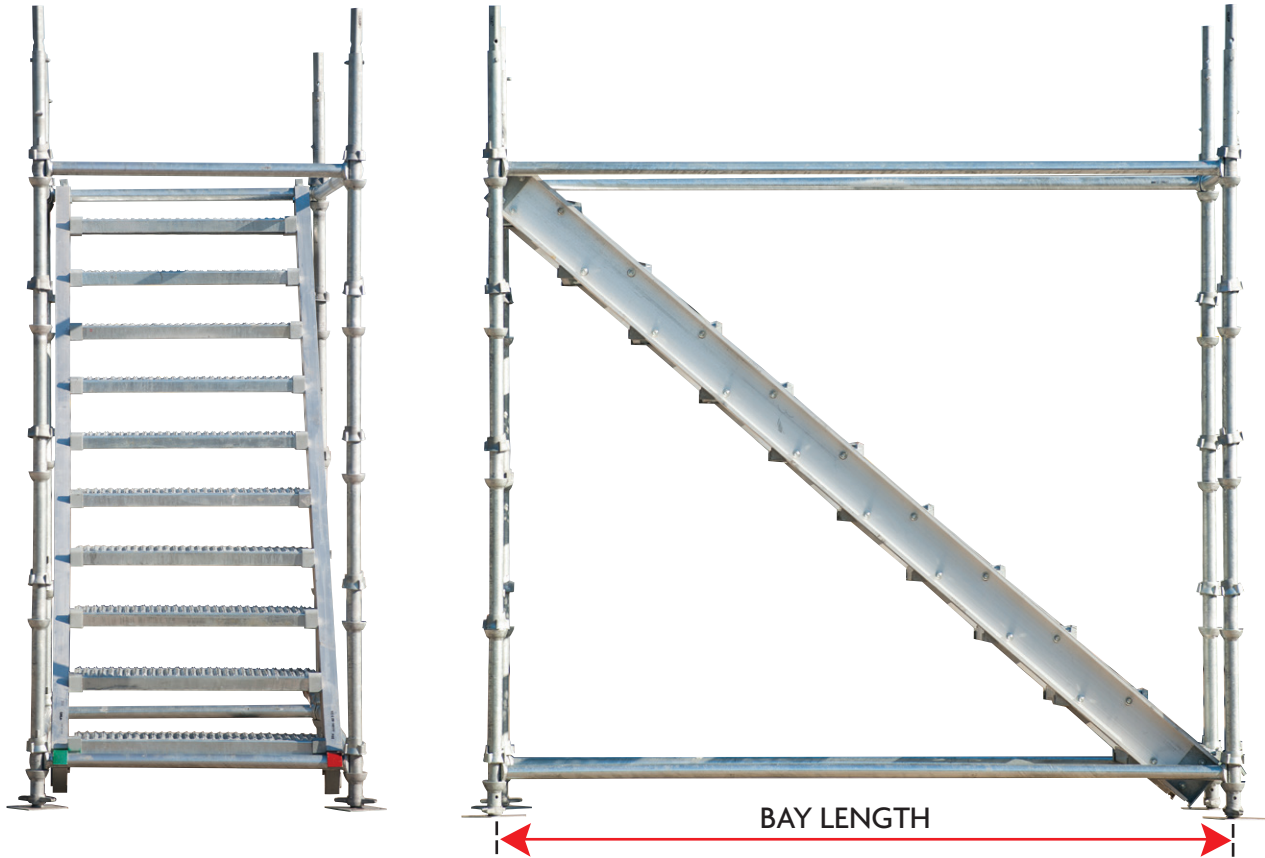
| Product Code | Description | Effective Length | | Weight | |
|--------------|-------------------------|------------------|--------|--------|------|
| | | Inches | Meters | Lb | Kg |
| CLGRP | Cup Lock Guardrail Post | 59.1 | 1.5 | 25.6 | 11.6 |

SUPPORT SPIGOT CLAMP



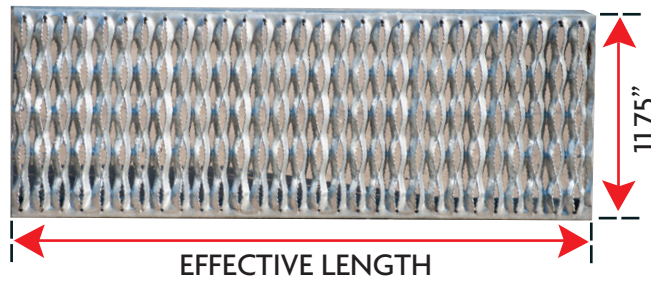
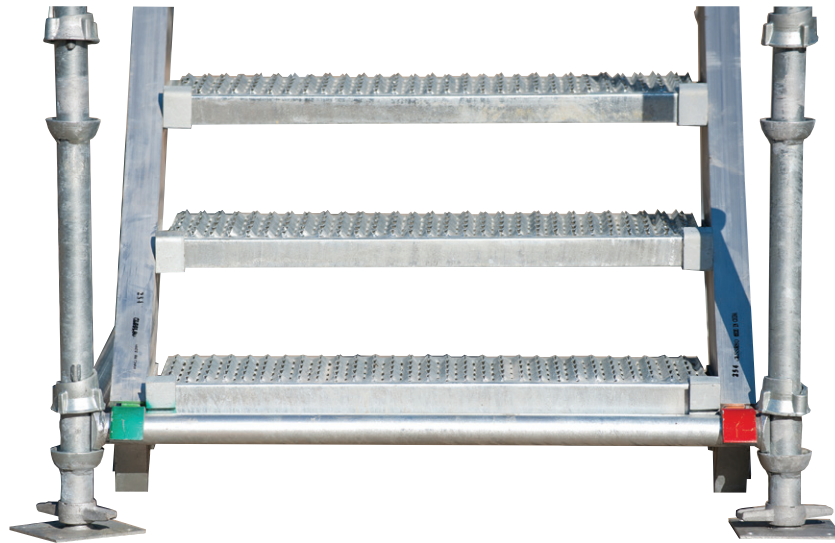
| Product Code | Description | Weight | |
|--------------|-------------------------|--------|-----|
| | | Lb | Kg |
| CLSS | Cup Lock Support Spigot | 5.7 | 2.6 |

ALUMINUM STAIR STRINGERS



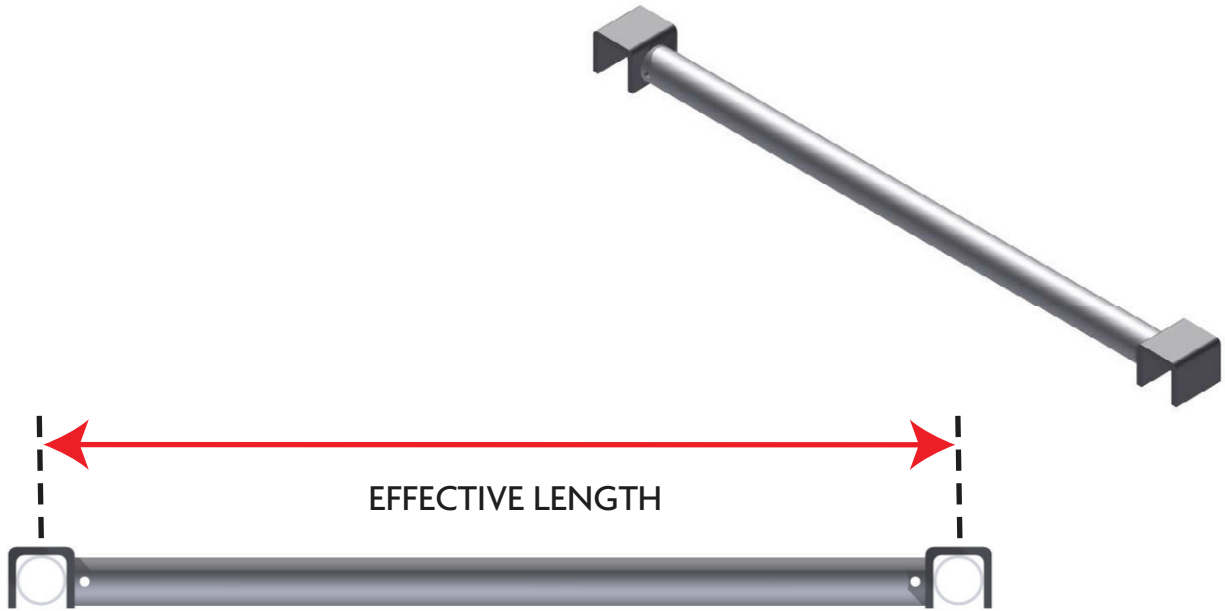
| Product Code | Description | Bay Length | | Height | | Weight | |
|--------------|--------------------------------------|------------|--------|--------|--------|--------|------|
| | | Inches | Meters | Inches | Meters | Lb | Kg |
| CLSSL80 | Cup Lock 8' Str Stringer Aluminum | 96 | 2.4 | 6'-6" | 2 | 66.1 | 30.0 |
| CLSSR80 | Cup Lock 8' Str Stringer Aluminum | 96 | 2.4 | 6'-6" | 2 | 66.1 | 30.0 |
| CLSSL82 | Cup Lock 8'-2" Str Stringer Aluminum | 98 | 2.5 | 6'-6" | 2 | 70.6 | 32.0 |
| CLSSR82 | Cup Lock 8'-2" Str Stringer Aluminum | 98 | 2.5 | 6'-6" | 2 | 70.6 | 32.0 |

STAIR TREADS



| Product Code | Description | Effective Length | | Weight | |
|--------------|-------------------|------------------|--------|--------|-----|
| | | Inches | Meters | Lb | Kg |
| CLST36 | 3'-6" Stair Tread | 33.0 | 0.84 | 13.8 | 6.3 |
| CLST40 | 4' Stair Tread | 39.4 | 1.00 | 15.9 | 7.2 |

INTERMEDIATE TRANSOM



| Product Code | Description | Effective Length | | Weight | |
|--------------|-------------------------|------------------|--------|--------|-----|
| | | Inches | Meters | Lb | Kg |
| CLT130 | 3' Intermediate Transom | 36 | 0.91 | 10.5 | 4.8 |
| CLT140 | 4' Intermediate Transom | 48 | 1.22 | 12.7 | 5.8 |



PRODUCT CATALOG
DSSCAT
UPDATED: 04/07/2016

PRODUCT CATALOG

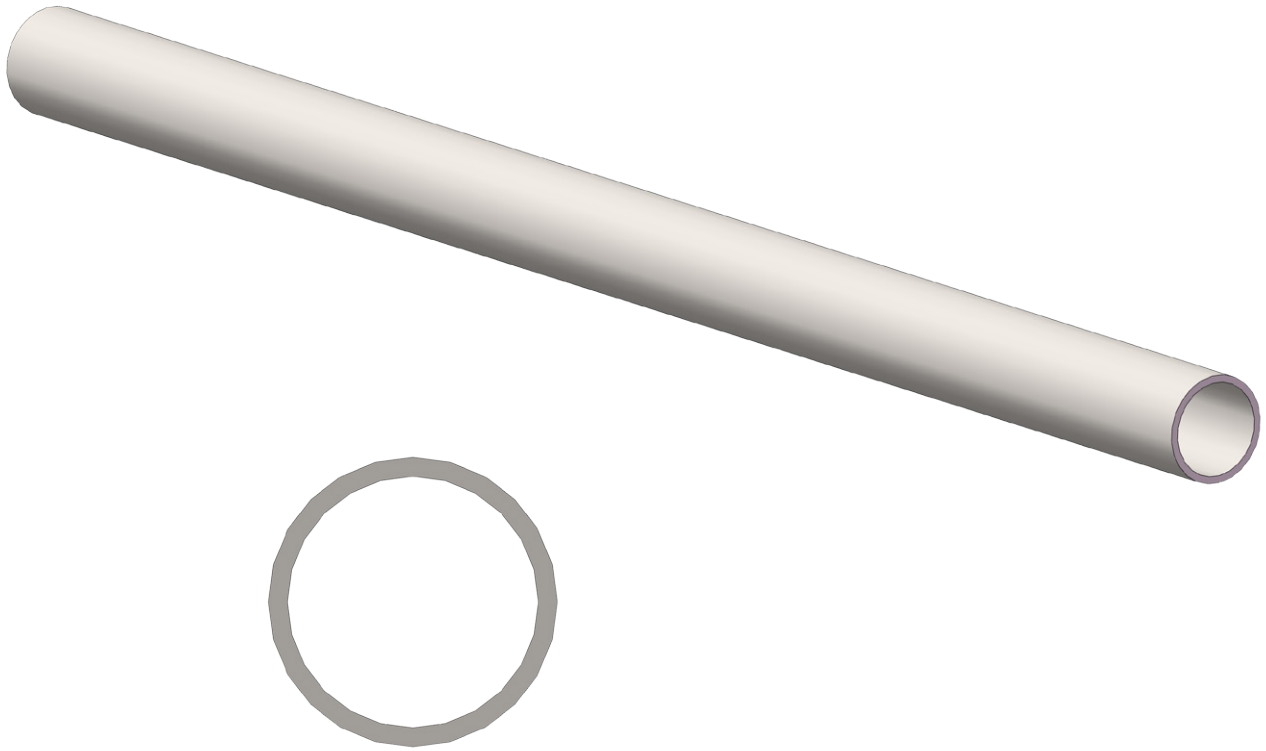


RING LOCK SECTION

World Headquarters: 6059 South Loop East | Houston, TX 77087 | Offices In: Hong Kong | China | Latin America | Canada

713-673-7701 Phone | 800-720-6629 Toll Free | www.dss.net

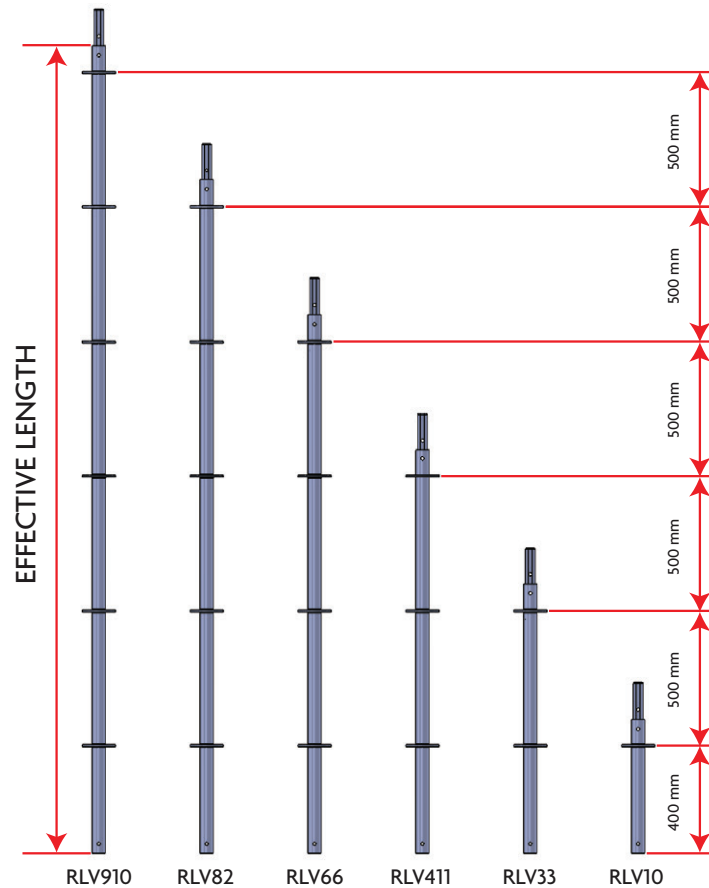
TUBE SPECIFICATIONS



| | Diameter | | Thickness | | Minimum Tensile | | Minimum Yield | |
|------|----------|------|-----------|------|-----------------|--------|---------------|--------|
| | In | mm | In | mm | Mpa | ksi | Mpa | ksi |
| RLV | 1.9 | 48.3 | 0.13 | 3.25 | 517 | 75,000 | 414 | 60,000 |
| RLH | 1.9 | 48.3 | 0.13 | 3.25 | 517 | 75,000 | 414 | 60,000 |
| RLFB | 1.9 | 48.3 | 0.091 | 2.3 | 483 | 70,000 | 345 | 50,000 |
| RLCB | 1.9 | 48.3 | 0.091 | 2.3 | 483 | 70,000 | 345 | 50,000 |

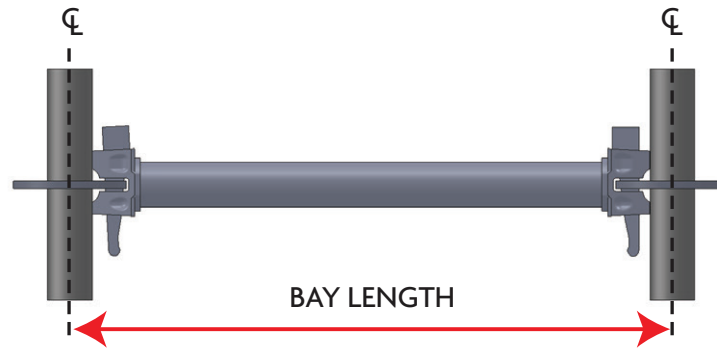
NOTE: Minimum Elongation at 2in/50.8mm is 20%

VERTICALS



| Product Code | Description | Effective Length | | Weight | |
|--------------|--------------------------|------------------|--------|--------|------|
| | | Inches | Meters | Lb | Kg |
| RLV10 | 1 Ring Vertical W/Spigot | 19.69 | 0.50 | 6.9 | 3.1 |
| RLV33 | 2 Ring Vertical W/Spigot | 39.37 | 1.00 | 12.1 | 5.5 |
| RLV411 | 3 Ring Vertical W/Spigot | 59.06 | 1.50 | 17.3 | 3.1 |
| RLV66 | 4 Ring Vertical W/Spigot | 78.74 | 2.00 | 15.21 | 7.8 |
| RLV82 | 5 Ring Vertical W/Spigot | 98.43 | 2.50 | 26.4 | 12.0 |
| RLV910 | 6 Ring Vertical W/Spigot | 118.11 | 3.00 | 32.9 | 15.0 |

LEDGERS



| Imperial Sizes | | | | | |
|----------------|--------------|------------|--------|--------|------|
| Product Code | Description | Bay Length | | Weight | |
| | | Inches | Meters | Lb | Kg |
| RLH10 | 1' Ledger | 12 | 0.3 | 5.3 | 2.4 |
| RLH14 | 1'-4" Ledger | 16 | 0.4 | 5.7 | 2.6 |
| RLH20 | 2' Ledger | 24 | 0.61 | 7 | 3.2 |
| RLH30 | 3' Ledger | 36 | 0.91 | 9.4 | 4.3 |
| RLH36S | 3'-6" Ledger | 42 | 1.07 | 10.3 | 4.7 |
| RLH40 | 4' Ledger | 48 | 1.20 | 11.9 | 5.4 |
| RLH50 | 5' Ledger | 60 | 1.52 | 14 | 6.3 |
| RLH54 | 5'-4" Ledger | 63.98 | 1.63 | 14.9 | 6.76 |
| RLH55 | 5'-5" Ledger | 65 | 1.65 | 15 | 6.8 |
| RLH60 | 6' Ledger | 72 | 1.83 | 16.2 | 7.3 |
| RLH70 | 7' Ledger | 83.86 | 2.13 | 18.7 | 8.5 |
| RLH80 | 8' Ledger | 96.06 | 2.4 | 21.6 | 9.8 |
| RLH90 | 9' Ledger | 108 | 2.74 | 25.6 | 11.6 |
| RLH100 | 10' Ledger | 120.12 | 3.05 | 26.7 | 12.1 |

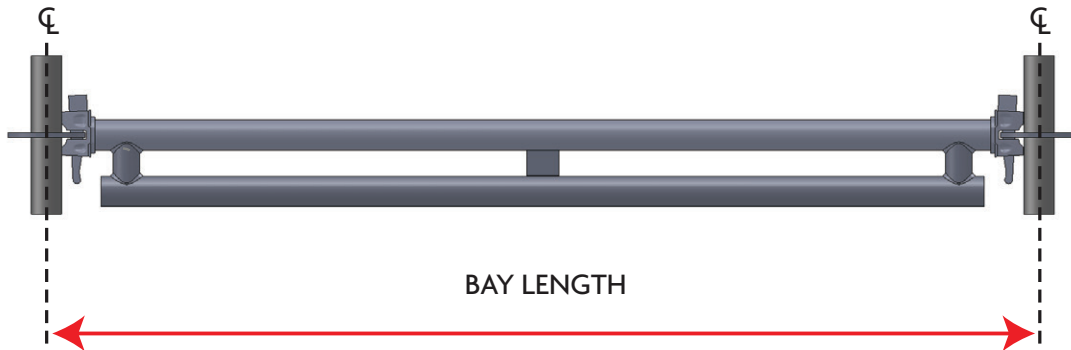
| Metric Sizes | | | | | |
|--------------|---------------|------------|--------|--------|------|
| Product Code | Description | Bay Length | | Weight | |
| | | Inches | Meters | Lb | Kg |
| RLH14 | 1'-4" Ledger | 15.75 | 0.4 | 5.7 | 2.6 |
| RLH24 | 2'-4" Ledger | 28.82 | 0.73 | 7.5 | 3.4 |
| RLH33 | 3'-3" Ledger | 39.98 | 0.99 | 9.9 | 4.5 |
| RLH36 | 3'-6" Ledger | 42.83 | 1.07 | 10.3 | 4.7 |
| RLH43 | 4'-3" Ledger | 50.63 | 1.29 | 12.1 | 5.5 |
| RLH410 | 4'-10" Ledger | 58.43 | 1.48 | 13.7 | 6.2 |
| RLH52 | 5'-2" Ledger | 61.89 | 1.57 | 14.7 | 6.7 |
| RLH69 | 6'-9" Ledger | 81.57 | 2.07 | 18.6 | 8.4 |
| RLH70 | 7' Ledger | 83.86 | 2.13 | 18.7 | 8.5 |
| RLH86 | 8'-6" Ledger | 101.26 | 2.57 | 23.2 | 10.5 |
| RLH100 | 10' Ledger | 120.12 | 3.05 | 26.7 | 12.1 |
| RLH101 | 10'-1" Ledger | 120.87 | 3.07 | 28 | 12.7 |



LEDGERS - CANADIAN SIZES

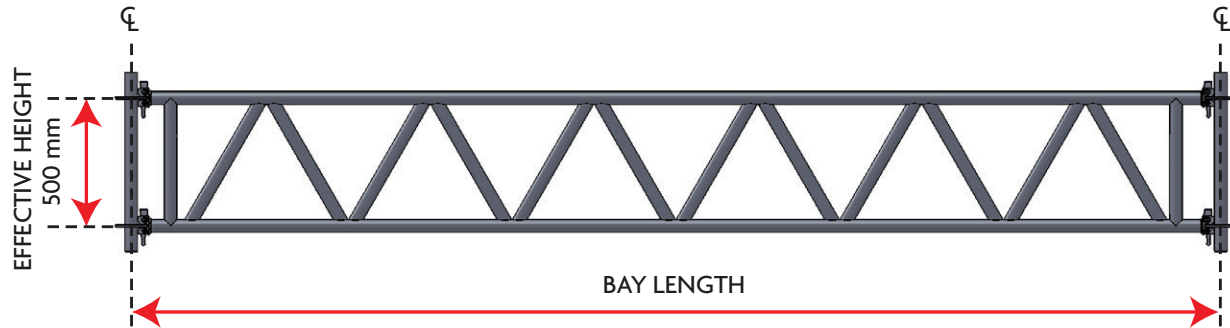
| Canadian Sizes | | | | | |
|----------------|---------------|------------|--------|--------|------|
| Product Code | Description | Bay Length | | Weight | |
| | | Inches | Meters | Lb | Kg |
| RLH22 | 2'-2" Ledger | 25.59 | 0.65 | 7.0 | 3.2 |
| RLH211 | 2'-11" Ledger | 34.65 | 0.88 | 7.5 | 3.4 |
| RLH36S | 3'-6" Ledger | 42.83 | 1.09 | 10.3 | 4.7 |
| RLH39 | 3'-9" Ledger | 45 | 1.15 | 11.7 | 5.3 |
| RLH52 | 5'-2" Ledger | 62 | 1.57 | 14.7 | 6.7 |
| RLH70 | 7' Ledger | 84 | 2.13 | 18.7 | 8.5 |
| RLH100 | 10' Ledger | 120 | 3.05 | 26.7 | 12.1 |

DOUBLE LEDGERS



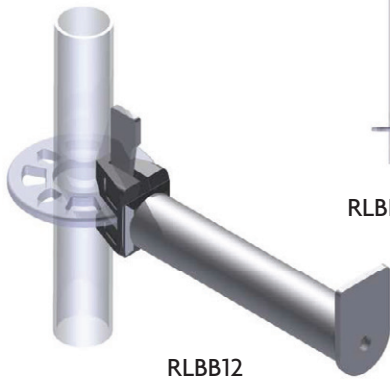
| Product Code | Description | Bay Length | | Weight | |
|--------------|---------------------|------------|--------|--------|------|
| | | Inches | Meters | Lb | Kg |
| RLDL52 | 5'-2" Double Ledger | 62 | 1.57 | 27.3 | 12.4 |
| RLDL69 | 6'-9" Double Ledger | 81 | 2.07 | 34.4 | 15.6 |
| RLDL70 | 7' Double Ledger | 84 | 2.13 | 34.4 | 15.6 |
| RLDL80 | 8' Double Ledger | 96 | 2.44 | 40.7 | 18.5 |
| RLDL86 | 8'-6" Double Ledger | 102 | 2.57 | 41.0 | 18.6 |
| RLDL100 | 10' Double Ledger | 120 | 3.05 | 51.7 | 23.5 |

LATTICE GIRDER

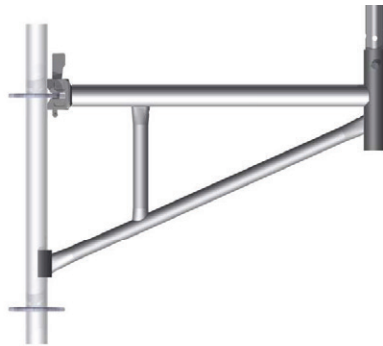


| Product Code | Description | Bay Length | | Weight | |
|--------------|----------------------|------------|--------|--------|------|
| | | Inches | Meters | Lb | Kg |
| RLLG07 | 7' Lattice Girder | 84 | 2.13 | 50 | 22.7 |
| RLLG086 | 8'-6" Lattice Girder | 102 | 2.57 | 63 | 28.4 |
| RLLG10 | 10' Lattice Girder | 120 | 3.05 | 75 | 34.0 |
| RLLG14 | 14' Lattice Girder | 168 | 4.27 | 98 | 44.5 |
| RLLG16 | 16' Lattice Girder | 192 | 4.88 | 109 | 49.4 |
| RLLG18 | 18' Lattice Girder | 216 | 5.49 | 123 | 55.8 |
| RLLG20 | 20' Lattice Girder | 240 | 6.10 | 143 | 64.9 |
| RLLG21 | 21' Lattice Girder | 252 | 6.40 | 147 | 66.7 |
| RLLG28 | 28' Lattice Girder | 336 | 8.53 | 200 | 90.7 |

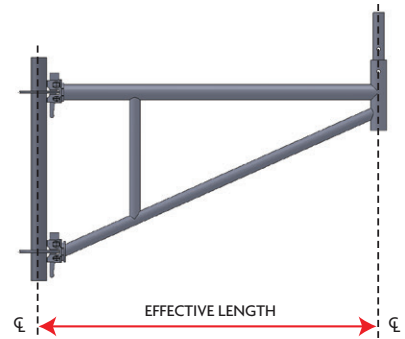
BOARD BRACKET



RLBB12



RLBB16, RLBB20, RLBB22, RLBB25, RLBB211



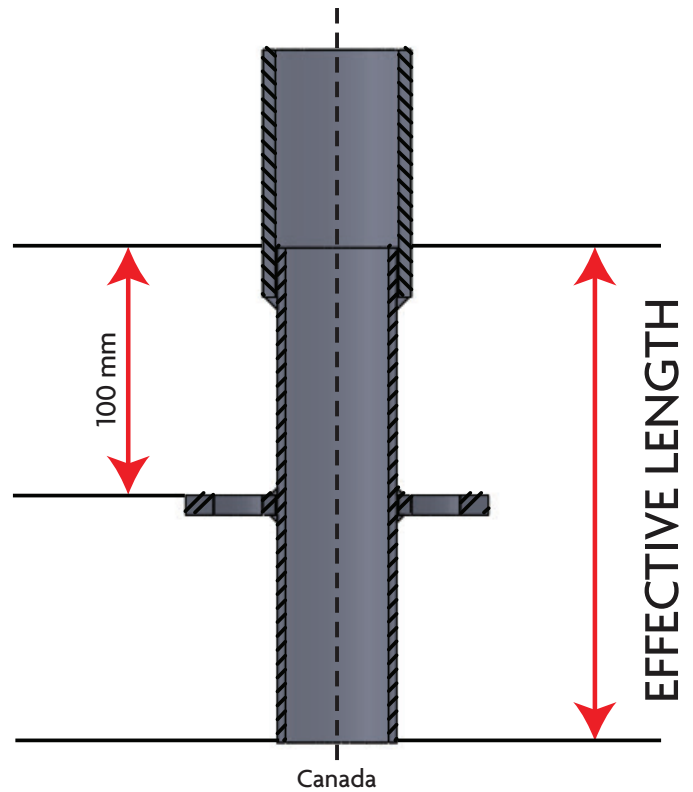
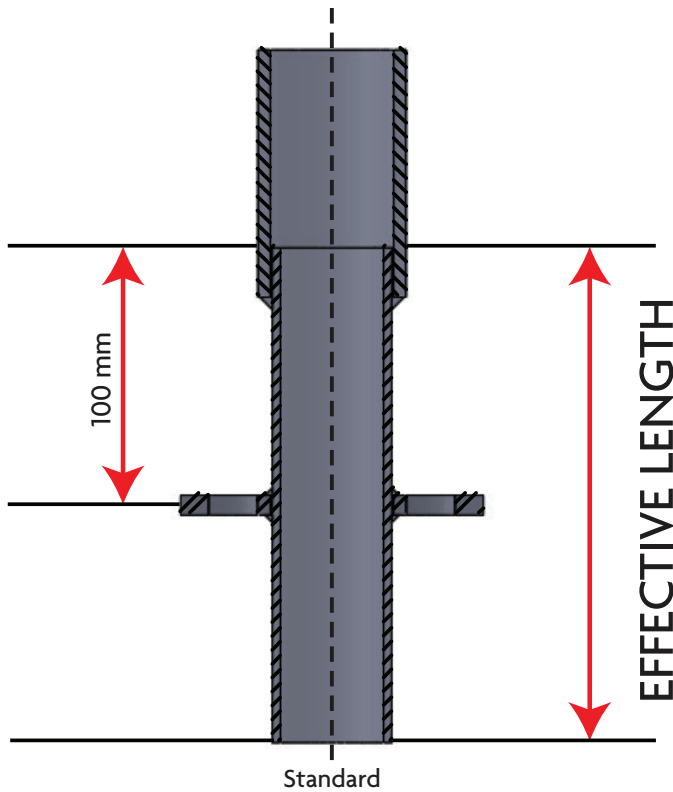
RLBB30, RLBB33, RLBB36S

| Imperial Sizes | | | | | |
|----------------|-------------------|------------|--------|--------|-----|
| Product Code | Description | Bay Length | | Weight | |
| | | Inches | Meters | Lb | Kg |
| RLBB12 | 12" Board Bracket | 12.60 | 0.32 | 9.4 | 4.3 |
| RLBB20 | 24" Board Bracket | 24.02 | 0.61 | 12.9 | 5.8 |
| RLBB30 | 36" Board Bracket | 36.18 | 0.92 | 19.7 | 8.9 |
| RLBB36S | 42" Board Bracket | 41.93 | 1.07 | 20.8 | 9.5 |

| Metric Sizes | | | | | |
|--------------|-------------------|------------|--------|--------|-----|
| Product Code | Description | Bay Length | | Weight | |
| | | Inches | Meters | Lb | Kg |
| RLBB16 | 16" Board Bracket | 15.75 | 0.40 | 10.1 | 4.6 |
| RLBB25 | 29" Board Bracket | 29.02 | 0.74 | 14.7 | 6.7 |
| RLBB33 | 39" Board Bracket | 39.17 | 1.00 | 21.5 | 9.7 |

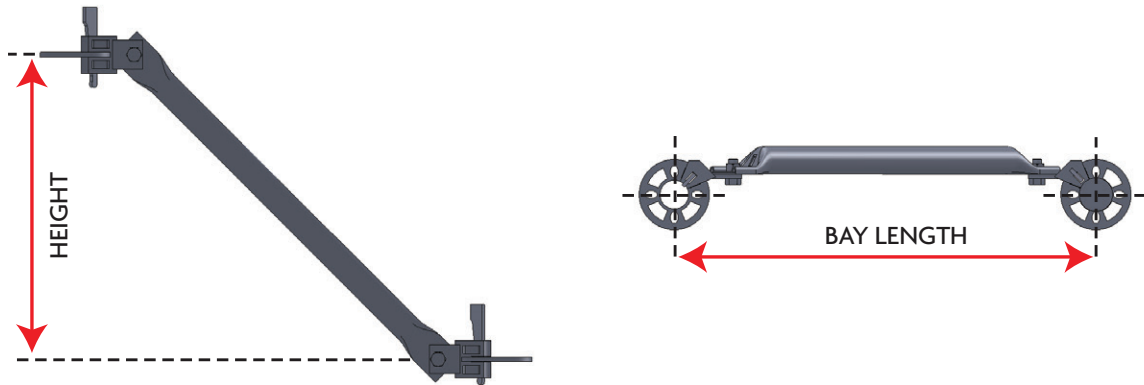
| Canadian Sizes | | | | | |
|----------------|-------------------|------------|--------|--------|-----|
| Product Code | Description | Bay Length | | Weight | |
| | | Inches | Meters | Lb | Kg |
| RLBB12 | 12" Board Bracket | 12.60 | 0.32 | 9.4 | 4.3 |
| RLBB22 | 25" Board Bracket | 25.59 | 0.65 | 13.1 | 5.9 |
| RLBB211 | 34" Board Bracket | 34.64 | 0.88 | 16.6 | 7.5 |
| RLBBC39 | 45" Board Bracket | 45.28 | 1.15 | 21.5 | 9.7 |

STARTER COLLAR



| Product Code | Description | Effective Length | | Weight | |
|--------------|-----------------------|------------------|--------|--------|-----|
| | | Inches | Meters | Lb | Kg |
| RLBC-S | Starter Collar Short | 6.46 | 0.16 | 3.7 | 1.7 |
| RLBC-L | Starter Collar Long | 7.87 | 0.20 | 4.5 | 2.1 |
| RLBC-C | Starter Collar Canada | 8.27 | 0.21 | 4.5 | 2.1 |

VERTICAL DIAGONAL



| Imperial Sizes | | | | | | | |
|----------------|-------------------|------------|--------|--------|--------|--------|------|
| Product Code | Description | Bay Length | | Height | | Weight | |
| | | Inches | Meters | Inches | Meters | Lb | Kg |
| RLVD30 | 3' Vert. Diag. | 36 | 0.91 | 78.74 | 2 | 10.4 | 4.7 |
| RLVD36S | 3'-6" Vert. Diag. | 42 | 1.07 | 78.74 | 2 | 12.2 | 5.5 |
| RLVD40 | 4' Vert. Diag. | 48 | 1.22 | 78.74 | 2 | 13.93 | 6.3 |
| RLVD50 | 5' Vert. Diag. | 60 | 1.52 | 78.74 | 2 | 17.4 | 7.9 |
| RLVD60 | 6' Vert. Diag. | 72 | 1.83 | 78.74 | 2 | 20.9 | 9.5 |
| RLVD70 | 7' Vert. Diag. | 84 | 2.13 | 78.74 | 2 | 24.4 | 11.1 |
| RLVD80x1 | 8' Vert. Diag. | 96 | 2.44 | 39.37 | 1 | 14 | 6.4 |
| RLVD80x15 | 8' Vert. Diag. | 96 | 2.44 | 59.1 | 1.5 | 27.9 | 12.7 |
| RLVD80 | 8' Vert. Diag. | 96 | 2.44 | 78.74 | 2 | 27.9 | 12.7 |
| RLVD100 | 10' Vert. Diag. | 120.08 | 3.05 | 78.74 | 2 | 34.8 | 15.8 |

Please contact a sales representative about availability of different sizes.



VERTICAL DIAGONAL

| Metric Sizes | | | | | | | |
|--------------|--------------------|-----------|--------|--------|--------|--------|------|
| Product Code | Description | Bay Width | | Height | | Weight | |
| | | Inches | Meters | Inches | Meters | Lb | Kg |
| RLVD36 | 3'-6" Vert. Diag. | 42 | 1.09 | 78.74 | 2 | 12.2 | 5.5 |
| RLVD43 | 4'-3" Vert. Diag. | 51 | 1.29 | 78.74 | 2 | 14.8 | 6.7 |
| RLVD410 | 4'-10" Vert. Diag. | 58 | 1.48 | 78.74 | 2 | 16.8 | 7.6 |
| RLVD52 | 5'-2" Ver. Diag. | 62 | 1.57 | 78.74 | 2 | 17.9 | 8.1 |
| RLVD69 | 6'-9" Vert. Diag. | 81 | 2.07 | 78.74 | 2 | 23.5 | 10.7 |
| RLVD70 | 7' Vert. Diag. | 84 | 2.13 | 78.74 | 2 | 24.4 | 11.1 |
| RLVD86 | 8'-6" Vert. Diag. | 102 | 2.57 | 78.74 | 2 | 29.6 | 13.4 |
| RLVD100 | 10' Vert. Diag. | 120.08 | 3.05 | 78.74 | 2 | 34.8 | 15.8 |

| Canadian Sizes | | | | | | | |
|----------------|-------------------|-----------|--------|--------|--------|--------|------|
| Product Code | Description | Bay Width | | Height | | Weight | |
| | | Inches | Meters | Inches | Meters | Lb | Kg |
| RLVD36S | 3'-6" Vert. Diag. | 42 | 1.07 | 78.74 | 2 | 12.2 | 5.5 |
| RLVD39 | 3'-9" Vert. Diag. | 45 | 1.15 | 78.74 | 2 | 13.1 | 5.9 |
| RLVD52 | 5'-2" Ver. Diag. | 62 | 1.57 | 78.74 | 2 | 17.9 | 8.1 |
| RLVD70 | 7' Vert. Diag. | 84 | 2.13 | 78.74 | 2 | 24.4 | 11.1 |
| RLVD100 | 10' Vert. Diag. | 120.08 | 3.05 | 78.74 | 2 | 34.8 | 15.8 |

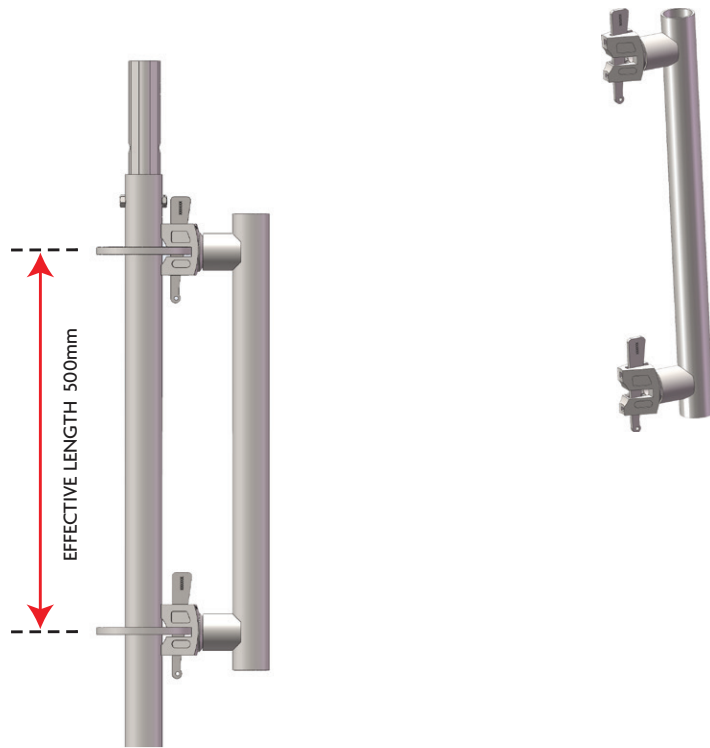
Please contact a sales representative about availability of different sizes.

GUARDRAIL POSTS



| Product Code | Description | Effective Length | | Weight | |
|--------------|--------------------------|------------------|--------|--------|-----|
| | | Inches | Meters | Lb | Kg |
| RLGRP | Ring Lock Guardrail Post | 59.1 | 1.5 | 20.1 | 9.1 |

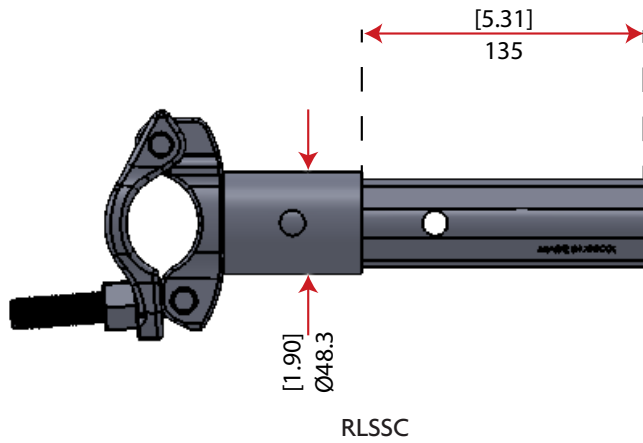
SUSPENDED CONNECTOR



| Product Code | Description | Effective Length | | Weight | |
|--------------|-------------------------------|------------------|--------|--------|-----|
| | | Inches | Meters | Lb | Kg |
| RLSC | Ring Lock Suspended Connector | 19.7 | 0.50 | 7.1 | 3.2 |

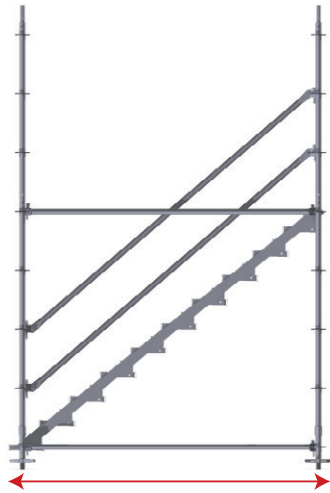
Ring lock Suspended Connector is intended to be used in pairs.

SUPPORT SPIGOT CLAMPS

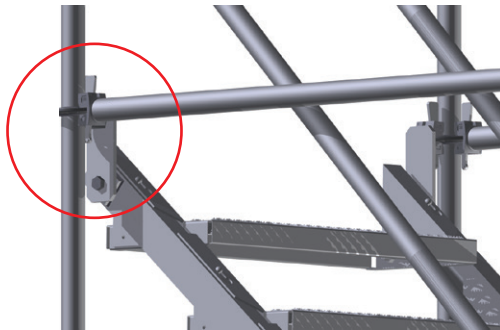


| Product Code | Description | Weight | |
|--------------|--|--------|-----|
| | | Lb | Kg |
| RLSSC | Support Spigot Clamp with I-Bolt Clamp | 5.2 | 2.4 |
| RLSSW | Support Spigot with Wedge Clamp | 5.2 | 2.4 |

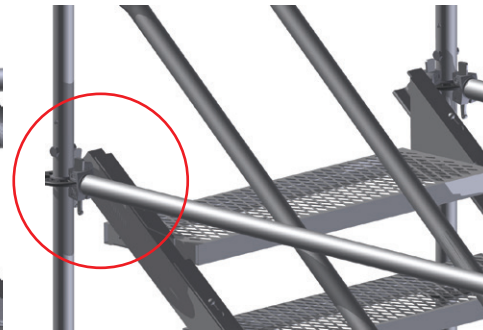
STAIR STRINGERS AND STEPS



BAY LENGTH



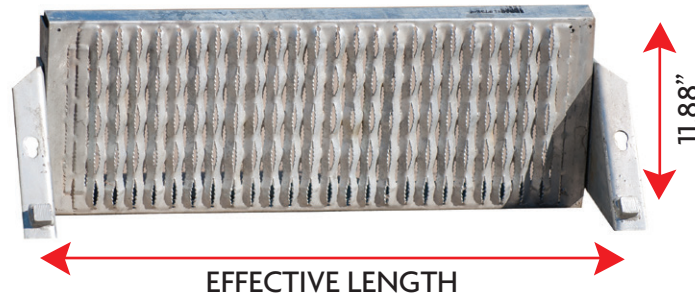
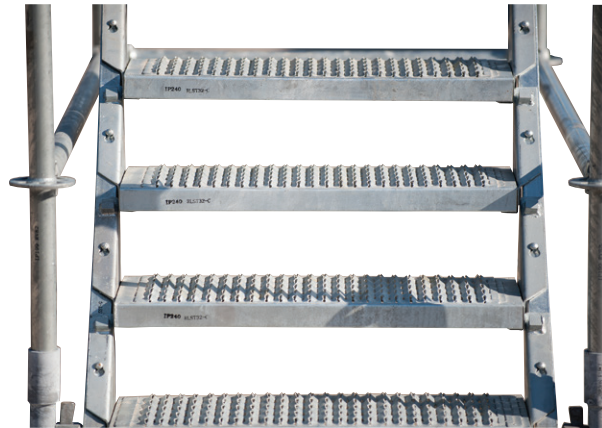
OFFSET STRINGER



STRAIGHT CHANNEL

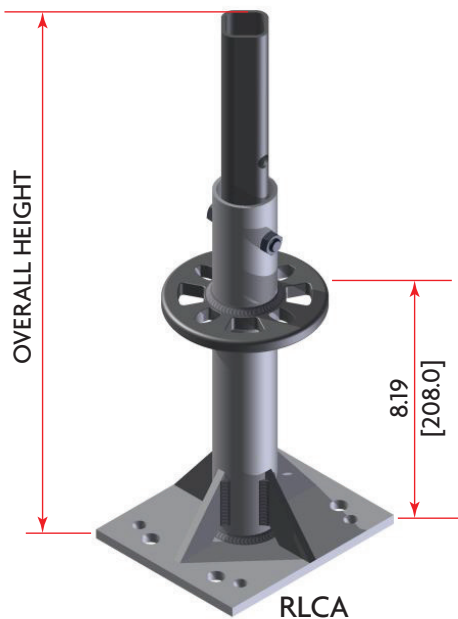
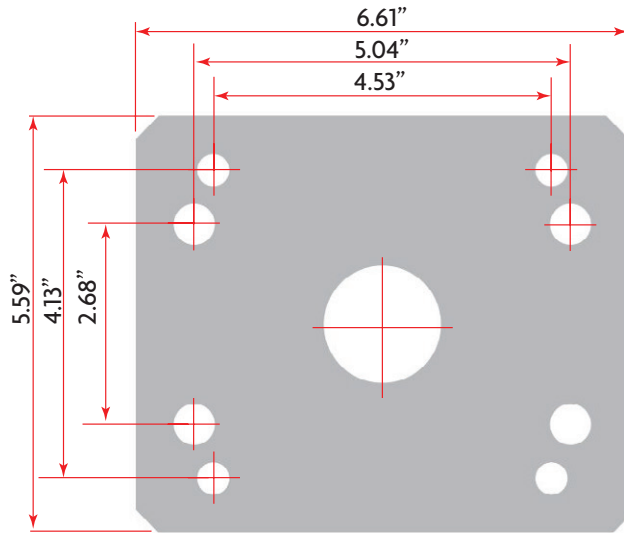
| Product Code | Description | Bay Length | | Height | | Weight | |
|--------------|---------------------------|------------|--------|--------|--------|--------|------|
| | | Ft-In | Meters | Inches | Meters | Lb | Kg |
| RLSS7 | 7' Ring Stair Stringer | 7' | 2.14 | 6'-6" | 2 | 39.7 | 18.0 |
| RLSS7-C | 7' Ring Stair Stringer | 7' | 2.14 | 6'-6" | 2 | 52.9 | 24.0 |
| RLSS8 | 8' Ring Stair Stringer | 8' | 2.44 | 6'-6" | 2 | 34.6 | 15.7 |
| RLSS86 | 8'-6" Ring Stair Stringer | 8'-6" | 2.6 | 6'-6" | 2 | 35.3 | 16.0 |

STAIR STRINGERS AND STEPS

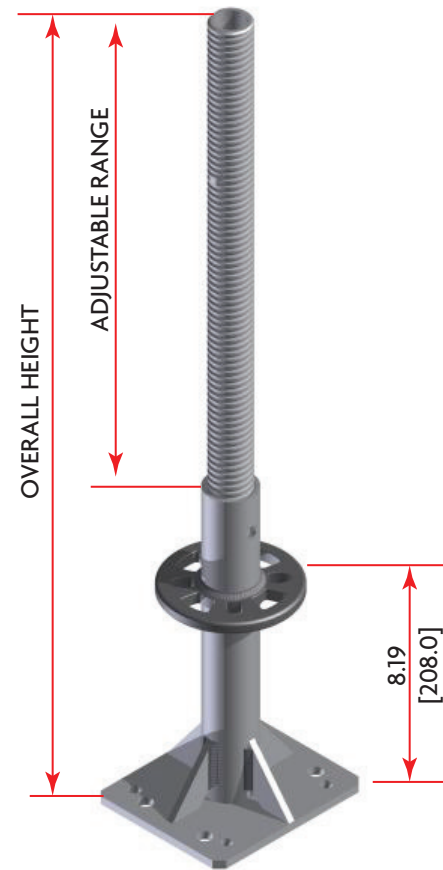


| Product Code | Description | Effective Length | | Tread Length | | Weight | |
|--------------|---|------------------|--------|--------------|--------|--------|-----|
| | | Inches | Meters | Inches | Meters | Lb | Kg |
| RLST32C | 32" Ring Lock Stair Tread w/ L&R Hangers (For RLSS7-C) | 33.75 | 0.86 | 31.57 | 0.8 | 21.4 | 9.7 |
| RLST36 | 30" Ring Lock Stair Tread w/ L&R Hangers (for RLSS7) | 32.18 | 0.82 | 30.01 | 0.76 | 13.9 | 6.3 |
| RLST40 | 37.8" Ring Lock Stair Tread w/ L&R Hangers (for RLSS8) | 40.02 | 1.02 | 37.85 | 0.96 | 15.7 | 7.1 |
| RLST43 | 40.5" Ring Lock Stair Tread w/ L&R Hangers (For RLSS86) | 42.67 | 1.08 | 40.5 | 1.03 | 18.5 | 8.4 |

RING LOCK CASTER ADAPTERS



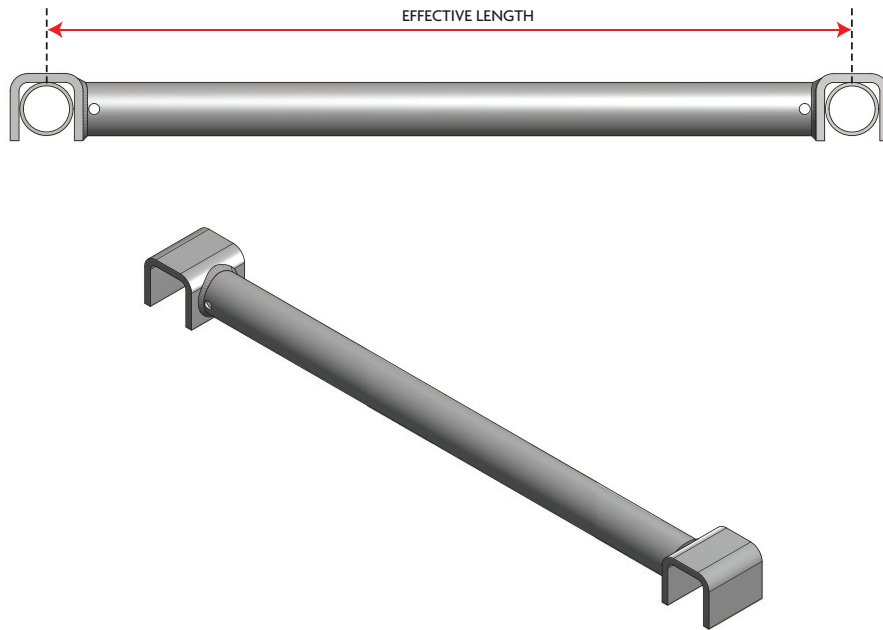
RLCA



RLCAJ

| Product Code | Description | Overall Height | | Adjustable Range | | Weight | |
|--------------|-------------------------------------|----------------|--------|------------------|--------|--------|----|
| | | Inches | Meters | Inches | Meters | Lb | Kg |
| RLCAJ | Ring Lock Adjustable Caster Adapter | 30.35 | 0.8 | 12.24 | 0.3 | 15.3 | 7 |
| RLCA | Ring Lock Caster Adapter | 12.13 | 0.3 | N/A | N/A | 10.2 | 4 |

INTERMEDIATE TRANSOM



| Product Code | Description | Effective Length | | Weight | |
|--------------|-----------------------------|------------------|--------|--------|------|
| | | Inches | Meters | Lb | Kg |
| RLTI24* | 2'-4" Intermediate Transom | 28.82 | 0.73 | 9.4 | 4.28 |
| RLTI30* | 3' Intermediate Transom | 35.98 | 0.91 | 10.9 | 4.94 |
| RLTI36S | 3'-6" Intermediate Transom | 41.96 | 1.07 | 12.1 | 5.5 |
| RLTI36* | 3'-6" Intermediate Transom | 42.83 | 1.09 | 12.3 | 5.58 |
| RLTI39 | 3'-9" Intermediate Transom | 45.28 | 1.2 | 12.8 | 5.81 |
| RLTI410* | 4'-10" Intermediate Transom | 58.43 | 1.5 | 15.5 | 7.03 |
| RLTI52 | 5'-2" Intermediate Transom | 61.89 | 1.6 | 16.2 | 7.36 |
| RLTI70 | 7' Intermediate Transom | 83.86 | 2.1 | 20.7 | 9.4 |

*Item not stocked



PRODUCT CATALOG
DSSCAT
UPDATED: 04/07/2016

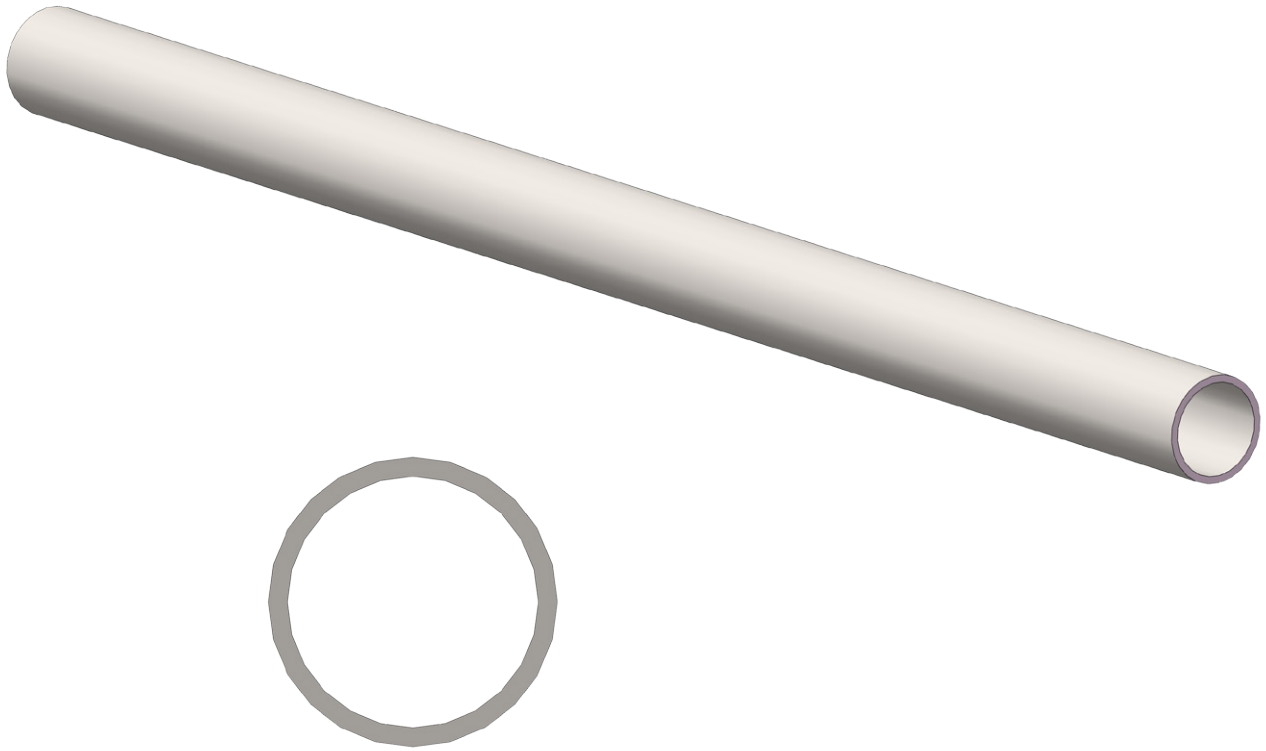


SPEED RING SECTION

World Headquarters: 6059 South Loop East | Houston, TX 77087 | Offices In: Hong Kong | China | Latin America | Canada

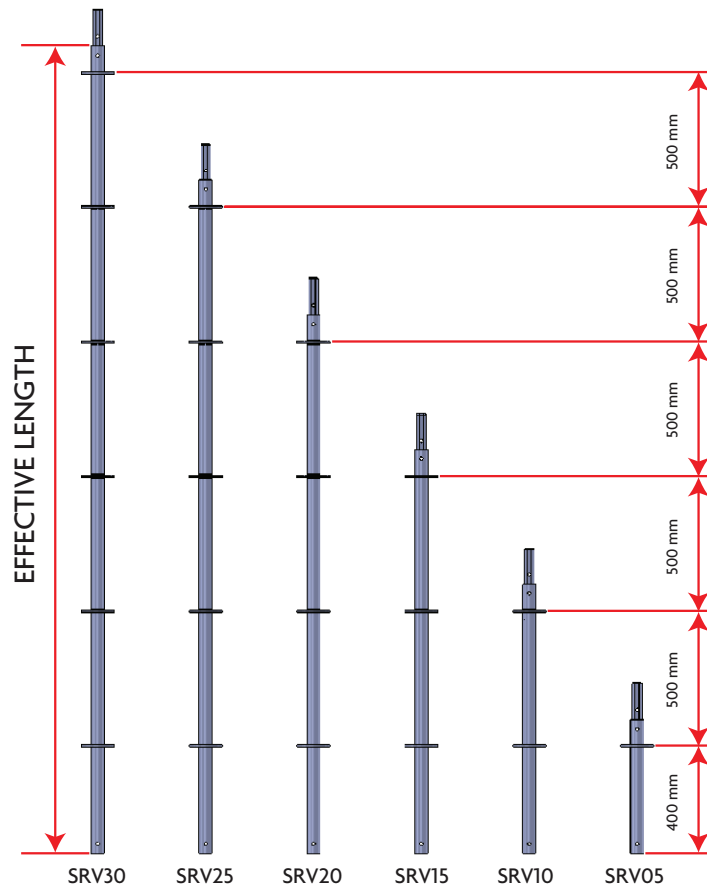
713-673-7701 Phone | 800-720-6629 Toll Free | www.dss.net

SPEED RING TUBE SPECIFICATIONS



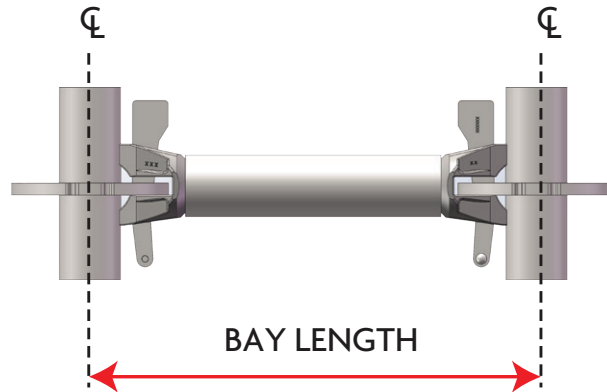
| | Diameter | Thickness | Minimum Tensile | | Minimum Yield | |
|-----|----------|-----------|-----------------|-----|---------------|-----|
| | mm | mm | Mpa | ksi | Mpa | ksi |
| SRV | 48.3 | 3 | 414 | 60 | 345 | 50 |
| SRH | 49.3 | 3 | 414 | 60 | 345 | 50 |
| SRD | 50.3 | 2.4 | 414 | 60 | 345 | 50 |

SPEED RING VERTICALS



| Product Code | Description | Effective Length Meters | Weight Kg |
|--------------|---------------------------------|----------------------------|--------------|
| SRV05 | Speed Ring Vertical 0.5M 1 Ring | 0.50 | 2.97 |
| SRV10 | Speed Ring Vertical 1.0M 2 Ring | 1.00 | 5.16 |
| SRV15 | Speed Ring Vertical 1.5M 3 Ring | 1.50 | 7.31 |
| SRV20 | Speed Ring Vertical 2.0M 4 Ring | 2.00 | 9.47 |
| SRV25 | Speed Ring Vertical 2.5M 5 Ring | 2.50 | 11.63 |
| SRV30 | Speed Ring Vertical 3.0M 6 Ring | 3.00 | 13.78 |

SPEED RING HORIZONTALS

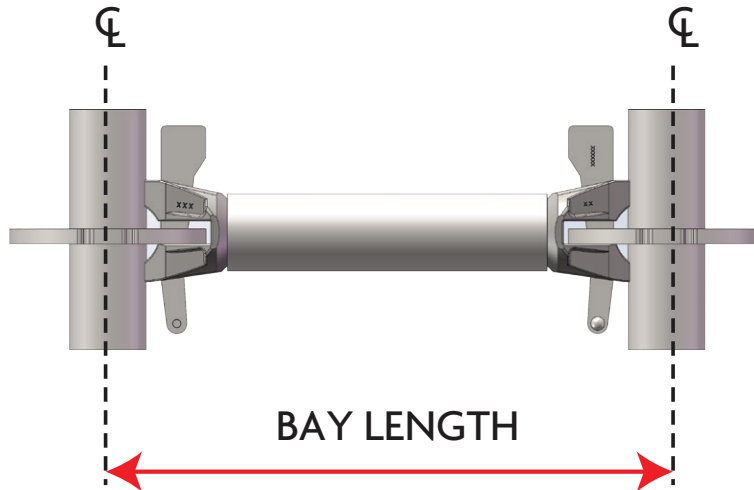


| Product Code | Description | Bay Length Meters | Weight Kg |
|--------------|----------------------------------|-------------------|-----------|
| SRH040 | Speed Ring Horizontal 0.4 meter | 0.4 | |
| SRH050 | Speed Ring Horizontal 0.5 meter | 0.5 | 2.21 |
| SRH061 | Speed Ring Horizontal 0.61 meter | 0.61 | |
| SRH065 | Speed Ring Horizontal 0.65 meter | 0.65 | 2.87 |
| SRH070 | Speed Ring Horizontal 0.70 meter | 0.70 | |
| SRH073 | Speed Ring Horizontal 0.73 meter | 0.73 | 2.99 |
| SRH074 | Speed Ring Horizontal 0.74 meter | 0.74 | 3.01 |
| SRH091 | Speed Ring Horizontal 0.91 meter | 0.91 | |
| SRH107 | Speed Ring Horizontal 1.07 meter | 1.07 | 4.1 |
| SRH109 | Speed Ring Horizontal 1.09 meter | 1.09 | 4.19 |
| SRH115 | Speed Ring Horizontal 1.15 meter | 1.15 | 4.43 |
| SRH122 | Speed Ring Horizontal 1.22 meter | 1.22 | |
| SRH140 | Speed Ring Horizontal 1.40 meter | 1.4 | 5.23 |
| SRH150 | Speed Ring Horizontal 1.50 meter | 1.5 | 5.56 |
| SRH152 | Speed Ring Horizontal 1.52 meter | 1.52 | 5.64 |

(Safe Working Loads are based on a 4:1 Safety Factor.)

*Other sizes available upon request

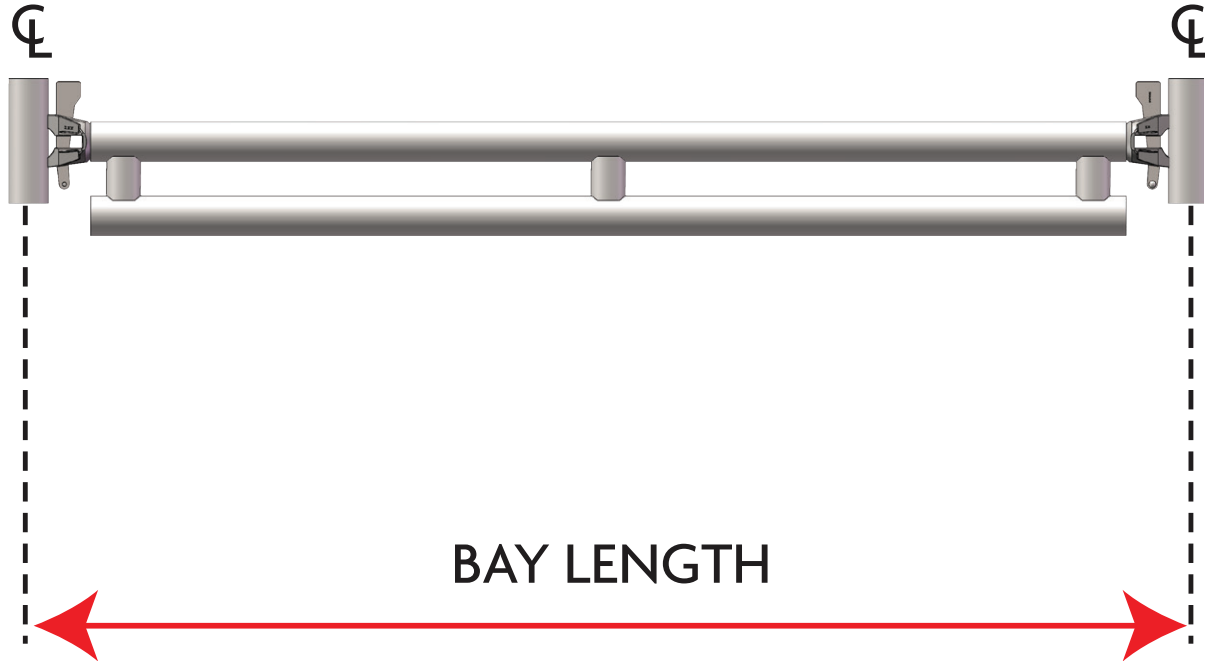
SPEED RING HORIZONTALS CONT.



| Product Code | Description | Bay Length Meters | Weight Kg |
|--------------|----------------------------------|-------------------|-----------|
| SRH157 | Speed Ring Horizontal 1.57 meter | 1.57 | 5.82 |
| SRH183 | Speed Ring Horizontal 1.83 meter | 1.83 | 6.76 |
| SRH207 | Speed Ring Horizontal 2.07 meter | 2.07 | 7.48 |
| SRH213 | Speed Ring Horizontal 2.13 meter | 2.13 | 7.68 |
| SRH244 | Speed Ring Horizontal 2.44 meter | 2.44 | 8.8 |
| SRH257 | Speed Ring Horizontal 2.57 meter | 2.57 | 9.16 |
| SRH300 | Speed Ring Horizontal 3.00 meter | 3 | 10.59 |
| SRH305 | Speed Ring Horizontal 3.05 meter | 3.05 | 10.77 |
| SRH307 | Speed Ring Horizontal 3.07 meter | 3.07 | 10.83 |

(Safe Working Loads are based on a 4:1 Safety Factor.)

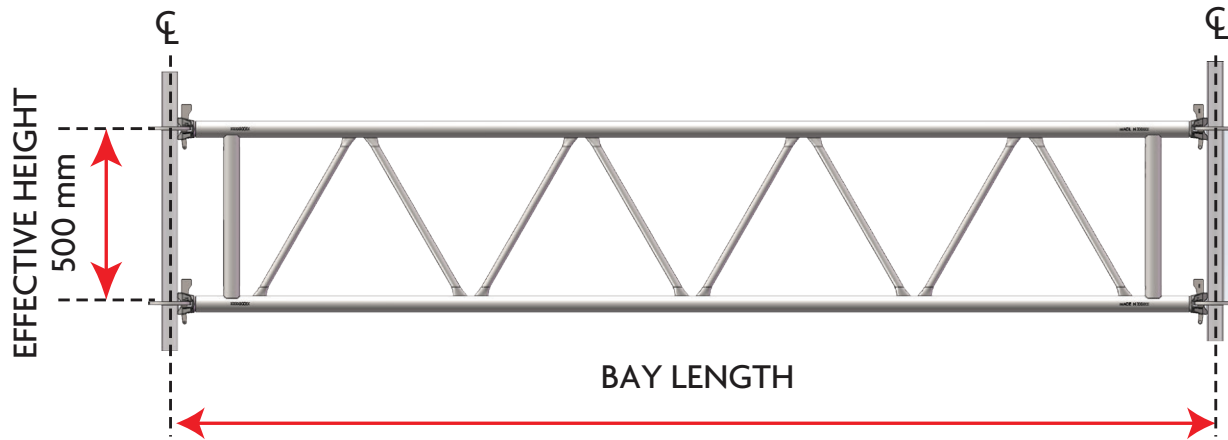
SPEED RING DOUBLE LEDGER



| Product Code | Description | Bay Length Meters | Weight Kg |
|--------------|-------------------------------------|-------------------|-----------|
| SRDL140 | Speed Ring Double Ledger 1.40 meter | 1.4 | 8.53 |
| SRDL150 | Speed Ring Double Ledger 1.50 meter | 1.5 | 9.2 |
| SRDL152 | Speed Ring Double Ledger 1.52 meter | 1.52 | 9.34 |
| SRDL157 | Speed Ring Double Ledger 1.57 meter | 1.57 | 9.68 |
| SRDL207 | Speed Ring Double Ledger 2.07 meter | 2.07 | 13.1 |
| SRDL213 | Speed Ring Double Ledger 2.13 meter | 2.13 | 15.52 |
| SRDL257 | Speed Ring Double Ledger 2.57 meter | 2.57 | 16.52 |
| SRDL305 | Speed Ring Double Ledger 3.05 meter | 2.57 | 16.52 |

(Safe Working Loads are based on a 4:1 Safety Factor.)
 *Other sizes available upon request

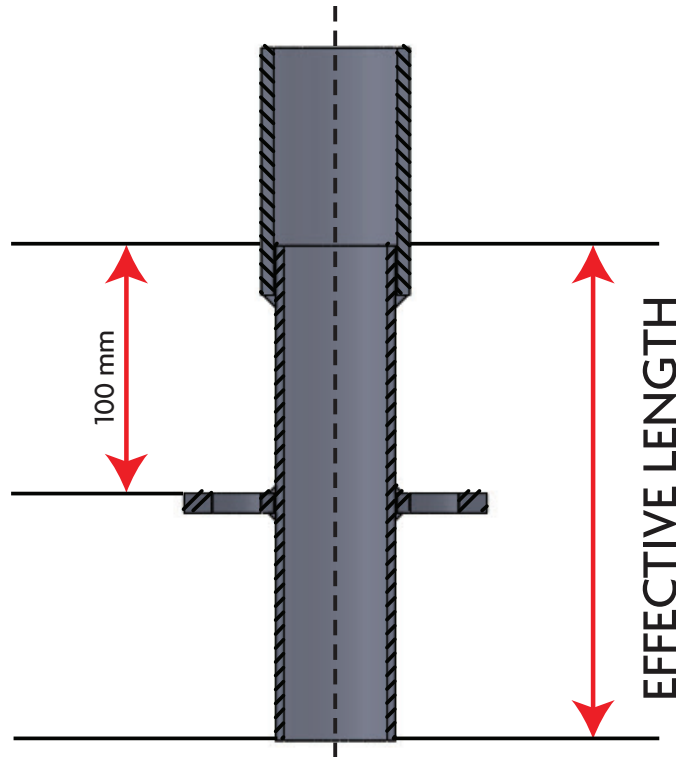
SPEED RING LATTICE GIRDER



| Product Code | Description | Bay Length Meters | Weight Kg |
|--------------|--------------------------------------|-------------------|-----------|
| SRLG300 | Speed Ring Lattice Girder 3.00 Meter | 3.00 | 29.35 |
| SRLG305 | Speed Ring Lattice Girder 3.05 Meter | 3.05 | 29.70 |
| SRLG307 | Speed Ring Lattice Girder 3.07 Meter | 3.07 | 29.83 |
| SRLG488 | Speed Ring Lattice Girder 4.88 Meter | 4.88 | 45.82 |
| SRLG610 | Speed Ring Lattice Girder 6.10 Meter | 6.10 | 55.91 |

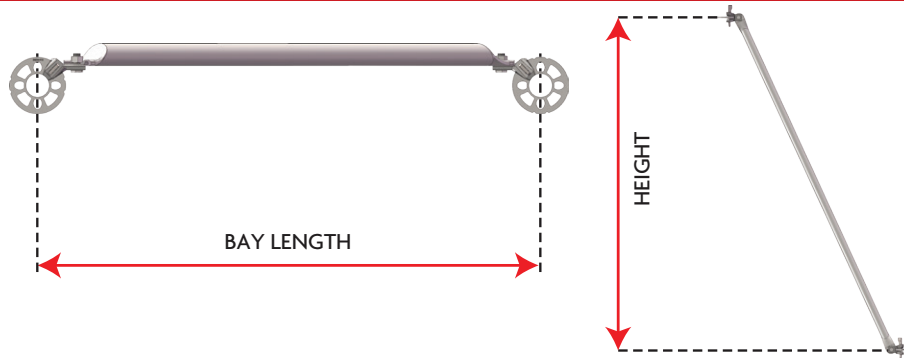
*Other sizes available upon request

SPEED RING BASE COLLAR



| Product Code | Description | Effective Length | | Weight | |
|--------------|------------------------|------------------|--------|--------|------|
| | | Inches | Meters | Lb | Kg |
| SRBC | Speed Ring Base Collar | 8.27 | 0.21 | 3.59 | 1.63 |

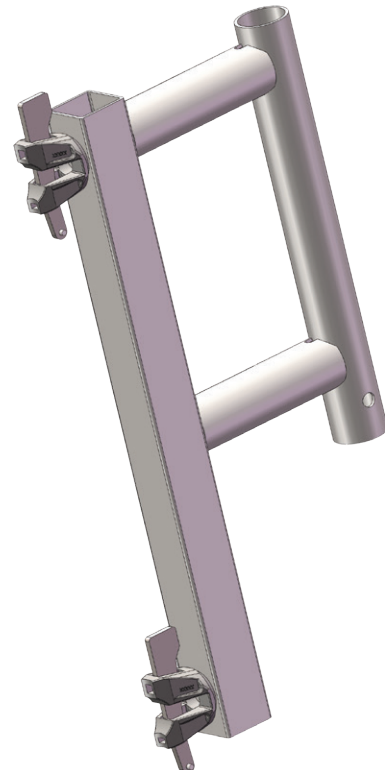
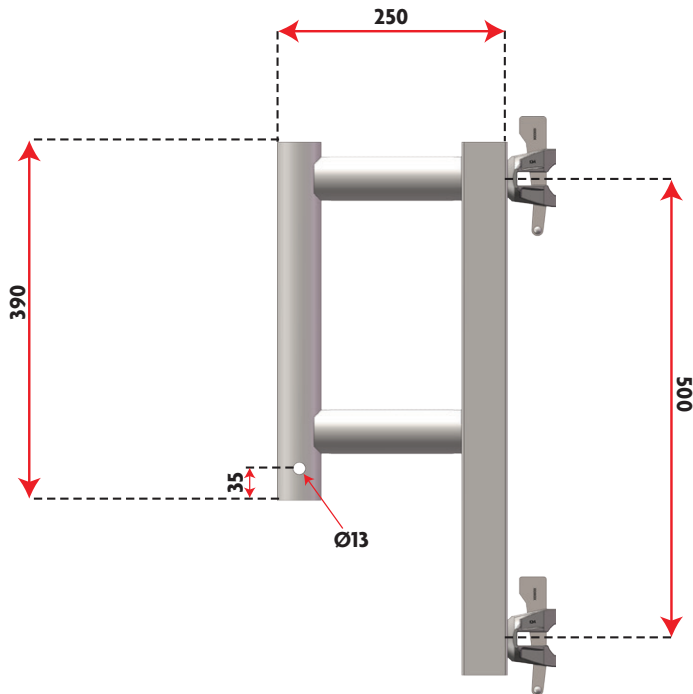
SPEED RING DIAGONAL



| Product Code | Description | Bay Length Meters | Height Meters | Weight Kg |
|--------------|----------------------------------|----------------------|------------------|--------------|
| SRD091 | Speed Ring Diagonal 0.91x2 Meter | 0.91 | 2 | |
| SRD107 | Speed Ring Diagonal 1.07x2 Meter | 1.07 | 2 | 7.66 |
| SRD109 | Speed Ring Diagonal 1.09X2 Meter | 1.09 | 2 | 7.68 |
| SRD115 | Speed Ring Diagonal 1.15X2 Meter | 1.15 | 2 | 7.78 |
| SRD122 | Speed Ring Diagonal 1.22x2 Meter | 1.22 | 2 | |
| SRD140 | Speed Ring Diagonal 1.40X2 Meter | 1.40 | 2 | 8.10 |
| SRD150 | Speed Ring Diagonal 1.50X2 Meter | 1.50 | 2 | 8.25 |
| SRD152 | Speed Ring Diagonal 1.52X2 Meter | 1.52 | 2 | 8.29 |
| SRD157 | Speed Ring Diagonal 1.57X2 Meter | 1.57 | 2 | 8.44 |
| SRD183 | Speed Ring Diagonal 1.83X2 Meter | 1.83 | 2 | 8.97 |
| SRD207 | Speed Ring Diagonal 2.07X2 Meter | 2.07 | 2 | 9.25 |
| SRD213 | Speed Ring Diagonal 2.13X2 Meter | 2.13 | 2 | 9.36 |
| SRD244 | Speed Ring Diagonal 2.44X2 Meter | 2.44 | 2 | 10.11 |
| SRD257 | Speed Ring Diagonal 2.57X2 Meter | 2.57 | 2 | 10.27 |
| SRD300 | Speed Ring Diagonal 3.00X2 Meter | 3.00 | 2 | 11.23 |
| SRD305 | Speed Ring Diagonal 3.05X2 Meter | 3.05 | 2 | 11.34 |

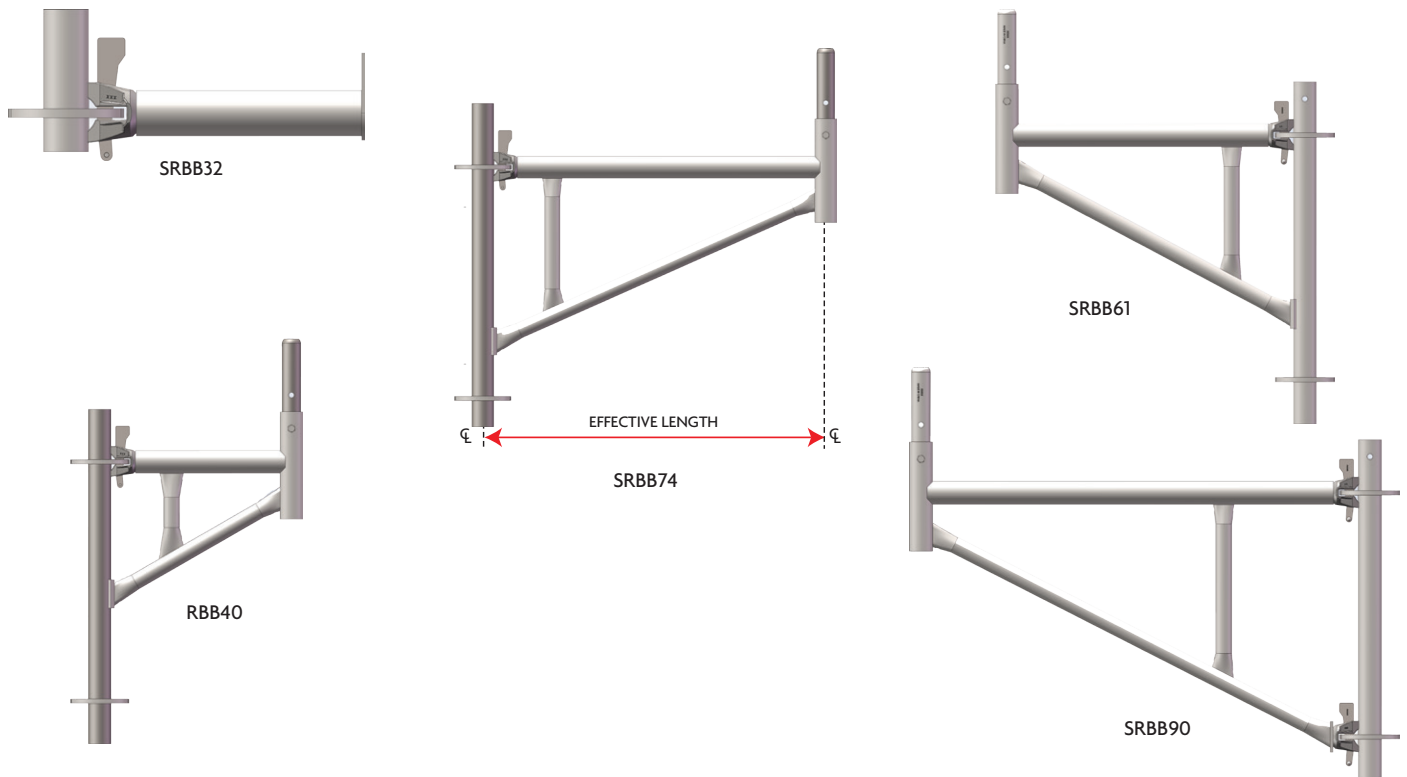
*Other sizes available upon request

SPEED RING CASTER OUTRIGGER



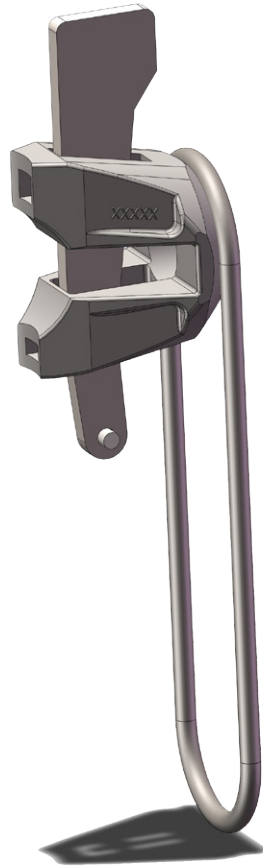
| Product Code | Description | Weight Kg | Tube | |
|--------------|-----------------------------|-----------|------|------|
| | | | OD | ID |
| SRCASOR | Speed Ring Caster Outrigger | 5.86 | 48.3 | 42.3 |

SPEED RING BOARD BRACKET



| Product Code | Description | Effective Length Meters | Weight Kg |
|--------------|-------------------------------------|----------------------------|--------------|
| SRBB32 | Speed Ring Board Bracket 0.32 Meter | 0.32 | 1.54 |
| SRBB40 | Speed Ring Board Bracket 0.40 Meter | 0.40 | 4.26 |
| SRBB61 | Speed Ring Board Bracket 0.60 Meter | 0.60 | 5.53 |
| SRBB75 | Speed Ring Board Bracket 0.74 Meter | 0.74 | 6.20 |
| SRBB92 | Speed Ring Board Bracket 0.92 Meter | 0.92 | 7.81 |

SPEED RING BASE JACK HOLDER



| Product Code | Description | Weight Kg |
|--------------|-----------------------------|-----------|
| SRBJH | Speed Ring Base Jack Holder | 5.86 |



PRODUCT CATALOG
DSSCAT
UPDATED: 04/07/2016

PRODUCT CATALOG

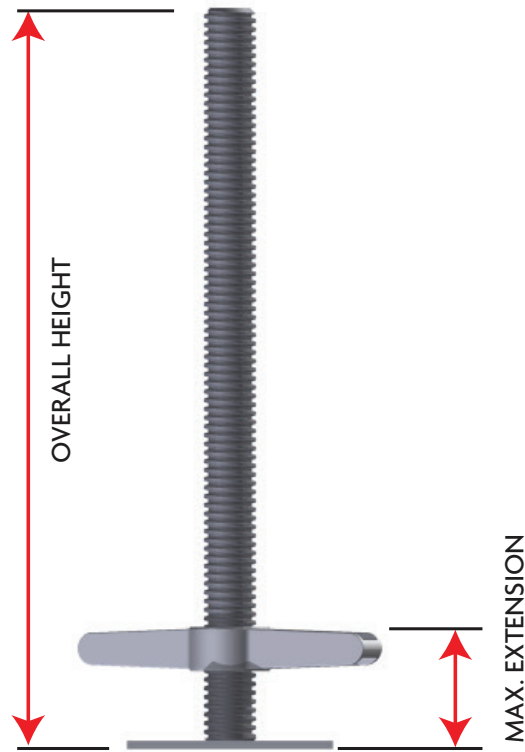


ACCESSORIES SECTION

World Headquarters: 6059 South Loop East | Houston, TX 77087 | Offices In: Hong Kong | China | Latin America | Canada

713-673-7701 Phone | 800-720-6629 Toll Free | www.dss.net

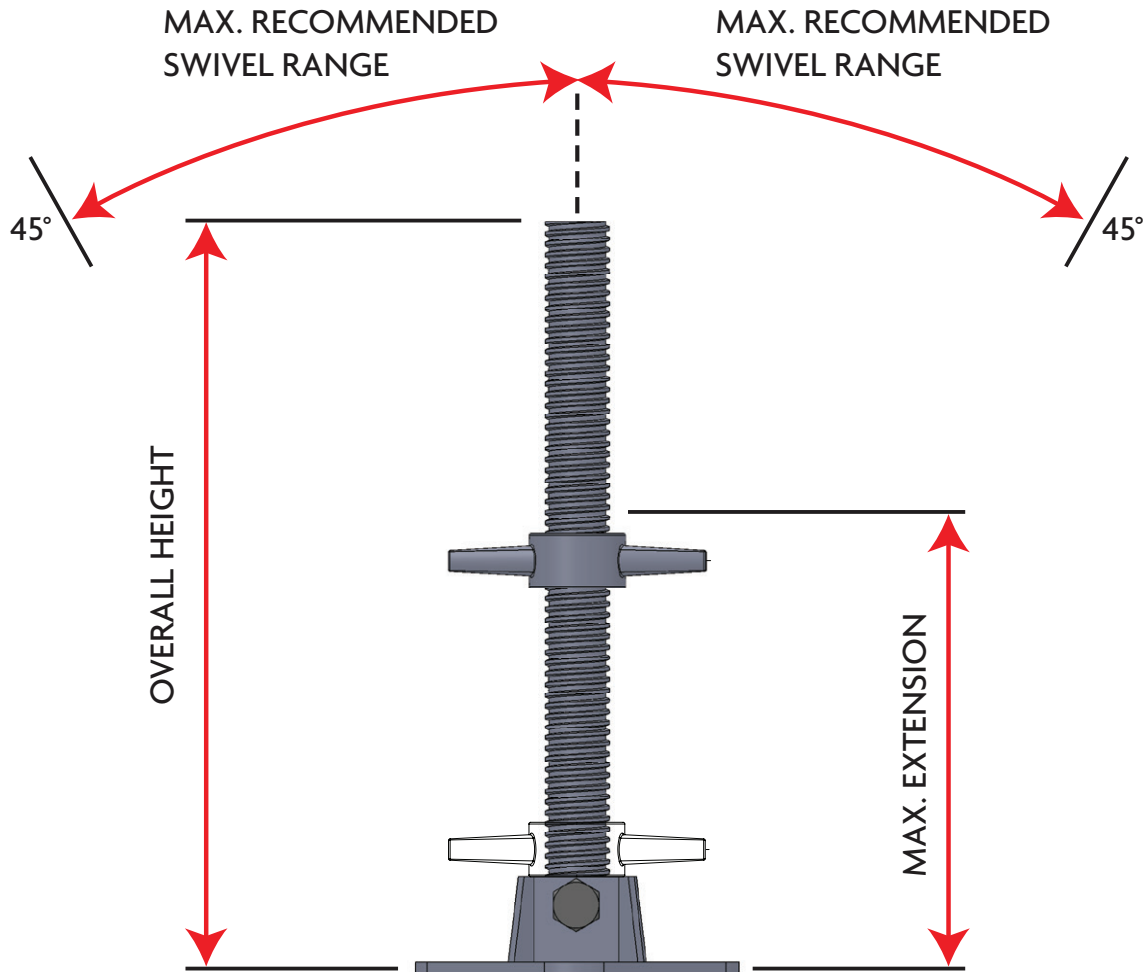
SYSTEM JACK WITH BASE PLATE



| Product Code | Description | Max. Extension | | Overall Height | | Weight | |
|--------------|-------------------|----------------|--------|----------------|--------|--------|-----|
| | | Inches | Meters | Inches | Meters | Lb | Kg |
| BPSJB | 21 In System Jack | 15 | 0.38 | 21.22 | 0.54 | 8.2 | 3.7 |
| BPSJB61* | 24 In System Jack | 18 | 0.46 | 24.31 | 0.62 | 9.0 | 4.1 |
| BPSJB-20* | 20 Cm System Jack | 5 | 0.13 | 7.87 | 0.20 | 5.4 | 2.4 |
| BPSJB-30* | 30 Cm System Jack | 7.5 | 0.19 | 11.81 | 0.30 | 6.3 | 2.9 |
| BPSJB-40* | 40 Cm System Jack | 10 | 0.26 | 15.75 | 0.40 | 7.2 | 3.3 |
| BPSJB-80* | 80 Cm System Jack | 21 | 0.53 | 31.50 | 0.80 | 10.8 | 4.9 |

*Item not stocked

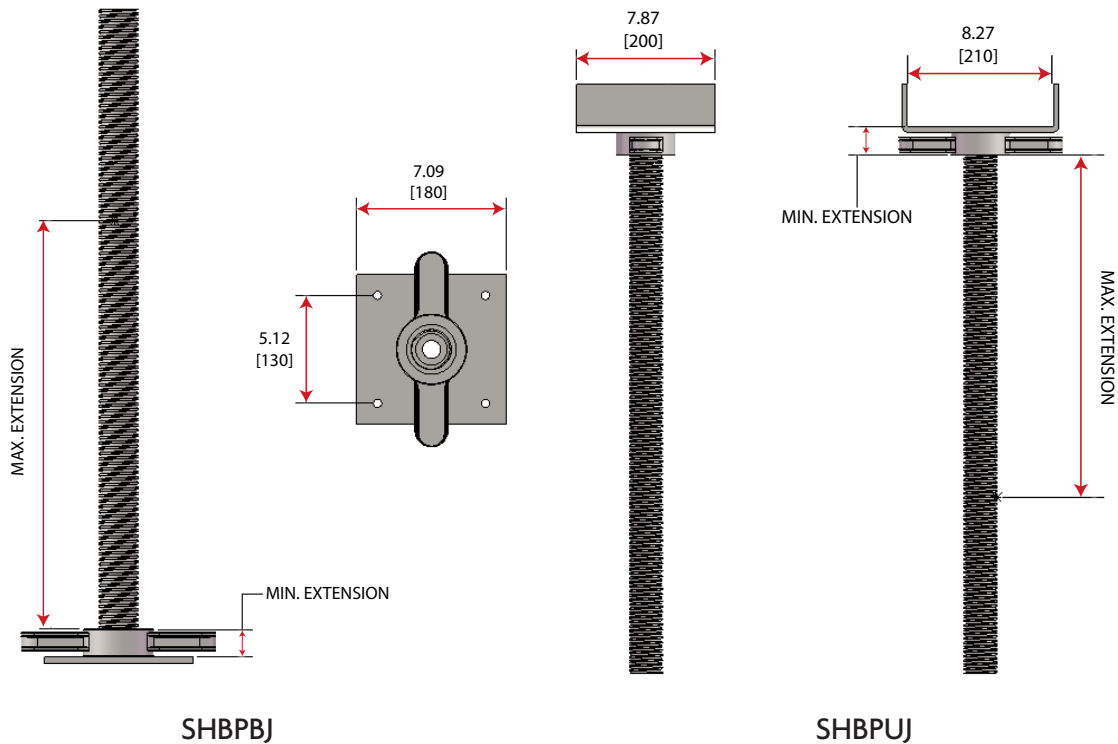
SWIVEL SYSTEM JACK



Disclaimer: Swivel jacks should be anchored to the structural surface or restrained. Anchors, bolts or restraints must hold 4 times the shear force that will be applied on the slope. If the angle will exceed 45° consult a Professional Engineer before erecting your structure. DSS/GSD recommends that you always consult a Professional Engineer before erecting a scaffold structure.

| Product Code | Description | Max. Extension | | Overall Height | | Weight | |
|--------------|------------------------|----------------|--------|----------------|--------|--------|-----|
| | | Inches | Meters | Inches | Meters | Lb | Kg |
| BPSJS | Swivel System Jack 21" | 14 | 0.37 | 20.98 | 0.53 | 9.0 | 4.1 |
| BPSJS69 | Swivel System Jack 27" | 17 | 0.44 | 29.34 | 0.69 | 10.6 | 4.8 |

SHORING BASE JACKS



| Product Code | Description | Max. Extension | | Min. Extension | | Weight | |
|--------------|-------------------|----------------|--------|----------------|--------|--------|-------|
| | | Inches | Meters | Inches | Meters | Lb | Kg |
| SHBPBJ | Shoring Base Jack | 19.4 | 0.5 | 1.6 | 0.04 | 16.76 | 37.00 |
| SHBPUJ | Shoring U-Jack | 19.4 | 0.5 | 1.6 | 0.04 | 21.38 | 47.00 |

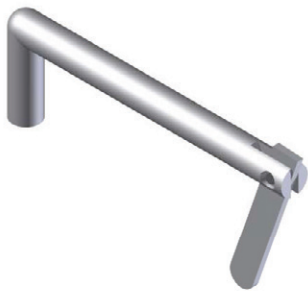
UNIVERSAL SYSTEM SPIGOT



| Product Code | Description | Weight | |
|--------------|-------------------------|--------|-----|
| | | Lb | Kg |
| PN-UCP | Universal System Spigot | 1.7 | 0.8 |

The Universal System Spigot can be used in both Ring Lock and Cup Lock Systems.

PINS



PN-HP3



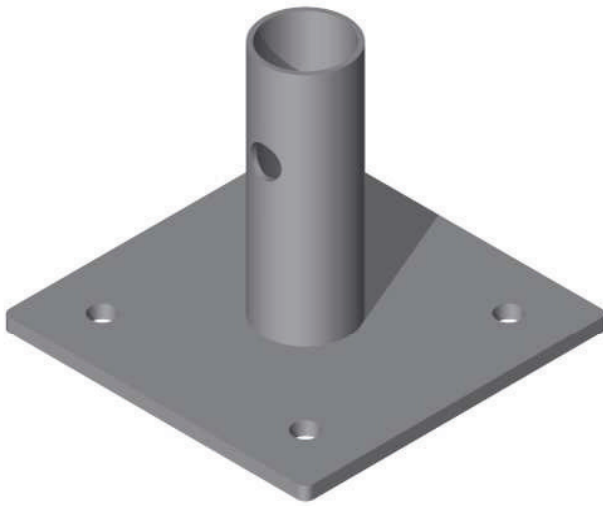
PN-SP125



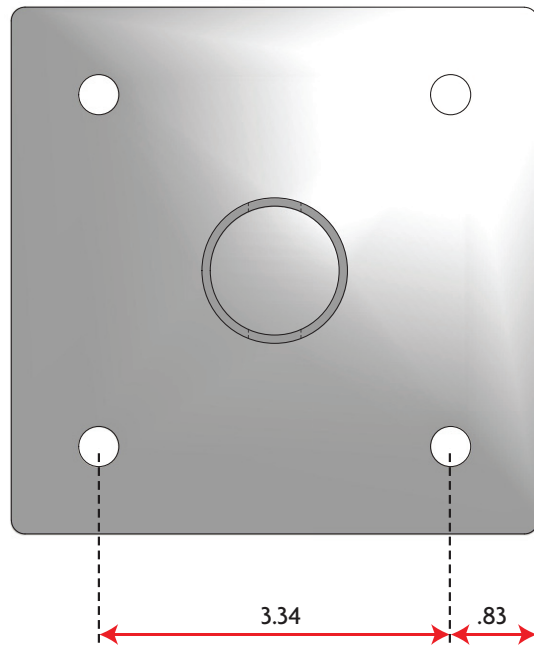
PN-PTPU

| Product Code | Description | Pin Diameter | | Weight | |
|--------------|-------------------------------------|--------------|--------|--------|-----|
| | | Inches | Meters | Lb | Kg |
| PN-HP3 | 3" Hinge Pin | 0.36 | 0.0091 | 0.2 | 0.1 |
| PN-SP125 | 1/4" X 1-1/4" Snap Pin | 0.23 | 0.0058 | 0 | 0 |
| PN-SP2 | 2" Snap Pin | 0.047 | 0.0012 | 0.1 | 0.1 |
| PN-PTPU | Pig Tail Pin Universal (1.69 - 1.9) | 0.35 | 0.0089 | 0.2 | 0.1 |

RIGID BASE PLATE

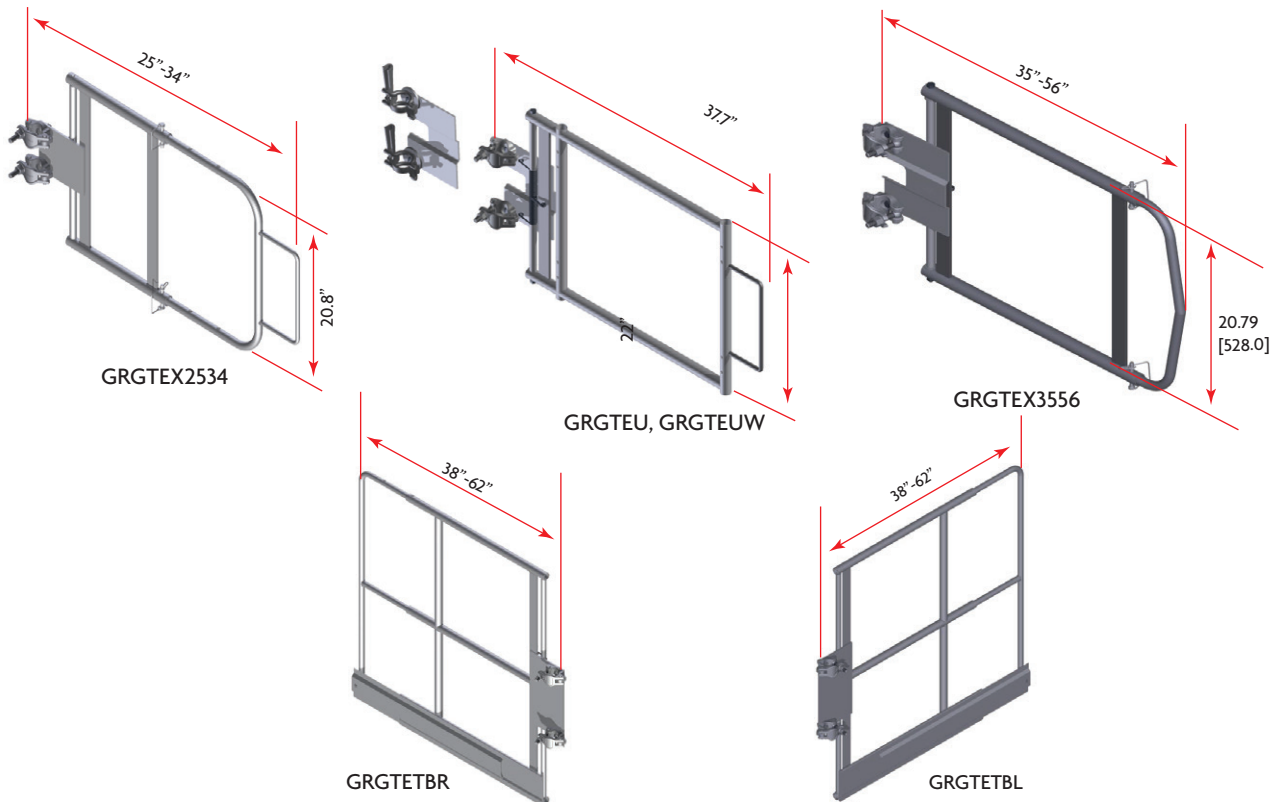


BPRBC



| Product Code | Description | Weight | |
|--------------|------------------------------------|--------|-----|
| | | Lb | Kg |
| BPRBC | Base Plate Rigid B & C Size Frames | 1.9 | 0.8 |

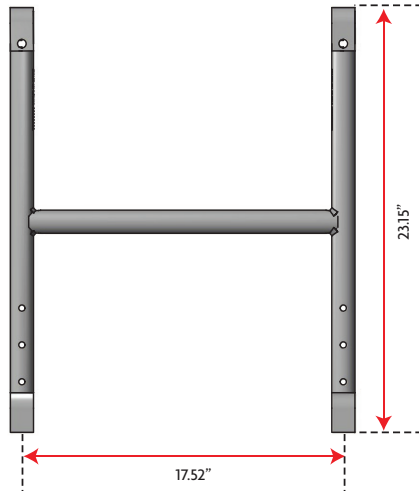
GATES



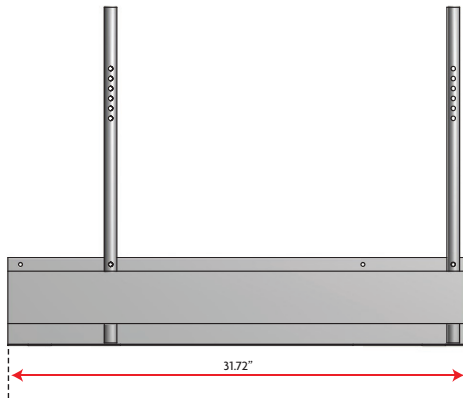
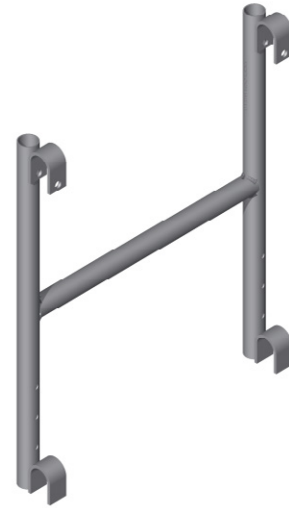
| Product Code | Description | Min Extension | | Max Extension | |
|--------------|-------------------------------------|---------------|--------|---------------|--------|
| | | Inches | Meters | Inches | Meters |
| GRGTEX2534 | Gate Expandable 25" to 34" | 25 | 0.64 | 34 | 0.81 |
| GRGTEX3356 | Gate Expandable 35" to 56" | 35 | 0.89 | 56 | 1.4 |
| GRGTETBR* | Expandable Right Gate w/ Toe Board | 37.9 | 0.96 | 61.9 | 1.6 |
| GRGTETBL* | Expandable Left Gate w/ Toe Board | 37.9 | 0.96 | 61.9 | 1.6 |
| GRGTEU | Universal Swing Gate | N/A | N/A | 37.7 | 0.96 |
| GRGTEUW | Universal Swing Gate w/ Wedge Clamp | N/A | N/A | 37.7 | 0.96 |

*Item Not Stocked

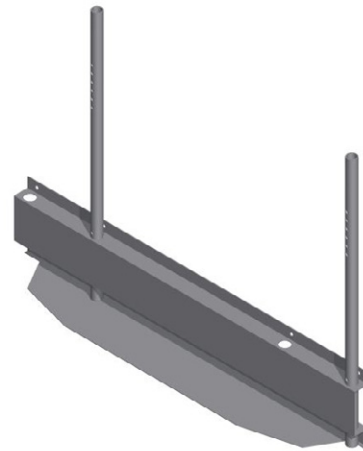
GATE ADAPTERS



GRGTE-TBA

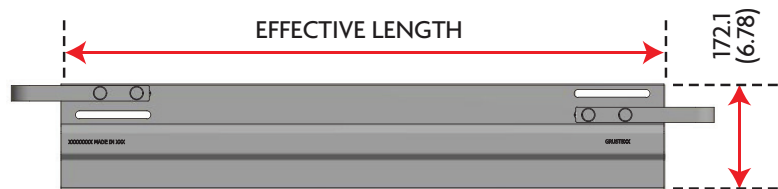


GRGTEU-T



| Product Code | Description | Weight | |
|--------------|-----------------------------|--------|-----|
| | | Lb | Kg |
| GRGTE-TBA | Toe Board Adapter for GRGTE | 6.8 | 3.1 |
| GRGTEU-T | Adjustable Toe Board Set | 9.7 | 4.4 |

UNIVERSAL TOE BOARD



| Product Code | Description | Effective Length | | Weight | |
|--------------|----------------------------|------------------|--------|--------|-------|
| | | Inches | Meters | Lb | Kg |
| GRUSTB30 | 3' Universal Toe Board | 32.83 | 0.834 | 8.2 | 3.72 |
| GRUSTB36 | 3'-6" Universal Toe Board | 38.78 | 0.985 | 9.96 | 4.52 |
| GRUSTB39 | 3'-9" Universal Toe Board | 42.13 | 1.07 | 10.8 | 4.90 |
| GRUSTB40 | 4' Universal Toe Board | 44.88 | 1.14 | 11.46 | 5.20 |
| GRUSTB50 | 5' Universal Toe Board | 56.69 | 1.44 | 14.33 | 6.50 |
| GRUSTB52 | 5'-2" Universal Toe Board | 58.66 | 1.49 | 14.9 | 6.76 |
| GRUSTB60 | 6' Universal Toe Board | 68.9 | 1.75 | 17.42 | 7.90 |
| GRUSTB70 | 7' Universal Toe Board | 80.71 | 2.05 | 20.5 | 9.30 |
| GRUSTB80 | 8' Universal Toe Board | 92.91 | 2.36 | 23.37 | 10.60 |
| GRUSTB86 | 8'-6" Universal Toe Board | 98.03 | 2.49 | 24.91 | 11.30 |
| GRUSTB90 | 9' Universal Toe Board | 104.72 | 2.66 | 26.46 | 12.00 |
| GRUSTB100 | 10' Universal Toe Board | 116.93 | 2.97 | 29.54 | 13.40 |
| GRUSTB101 | 10'-1" Universal Toe Board | 117.72 | 2.99 | 29.76 | 13.50 |

DAVIT ARMS



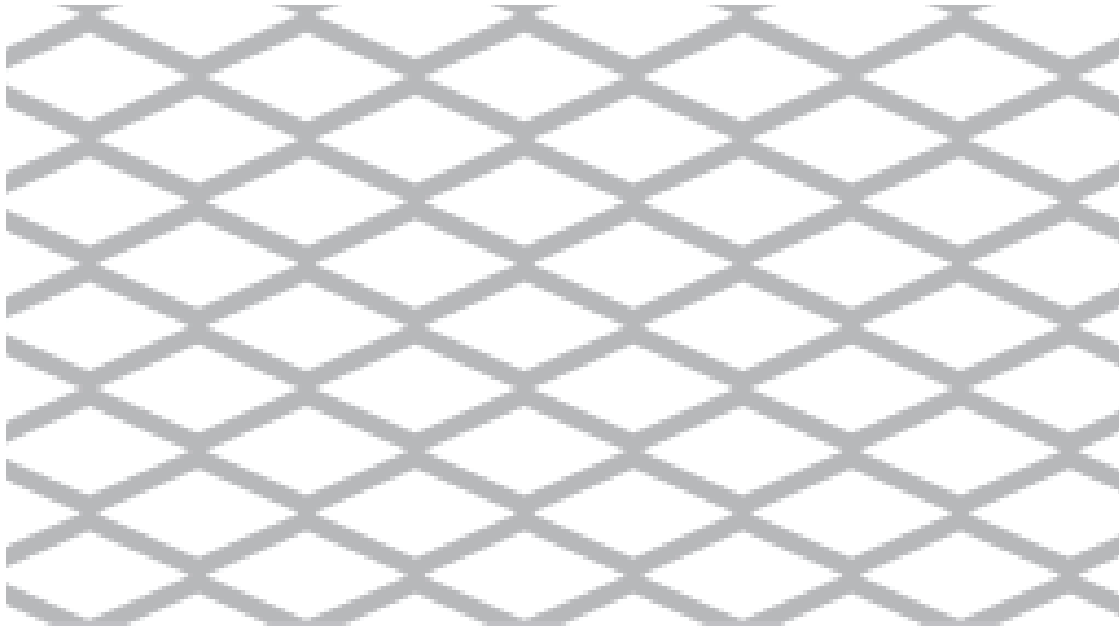
UDA



RLDA

| Product Code | Description | Weight | |
|--------------|---------------------|--------|------|
| | | Lb | Kg |
| UDA | Universal Davit Arm | 24.7 | 11.2 |
| RLDA | Ring Lock Davit Arm | 23.7 | 10.7 |

CATWALK GRATING

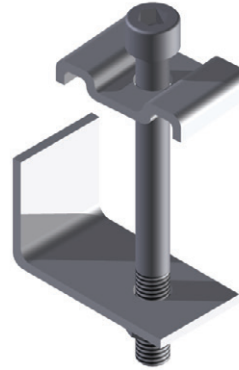


| Product Code | Description | Width | | Length | | Weight | |
|--------------|-----------------------|--------|--------|--------|--------|--------|------|
| | | Inches | Meters | Inches | Meters | Lb | Kg |
| EMG31224 | 1'x2' Catwalk Grating | 12 | 0.3 | 24 | 0.61 | 6 | 2.7 |
| EMG32424 | 2'x2' Catwalk Grating | 24 | 0.61 | 24 | 0.61 | 12 | 5.4 |
| EMG31248 | 1'x4' Catwalk Grating | 12 | 0.03 | 48 | 1.22 | 12 | 5.4 |
| EMG32448 | 2'x4' Catwalk Grating | 24 | 0.61 | 40 | 1.22 | 24 | 10.9 |

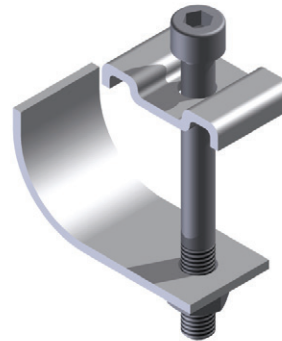
CATWALK GRATING CLIPS



EMG3PSLC

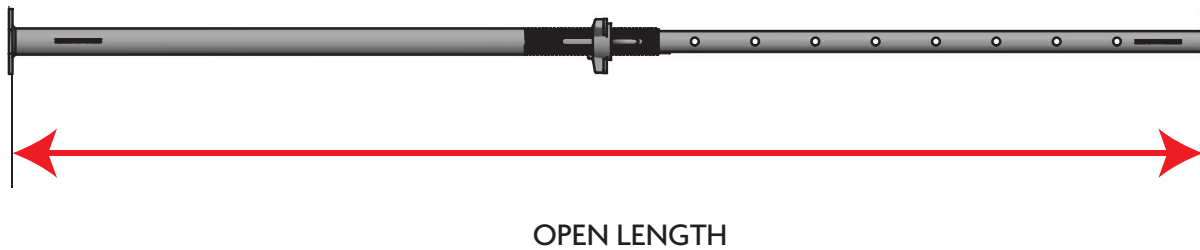


EMG3USLC



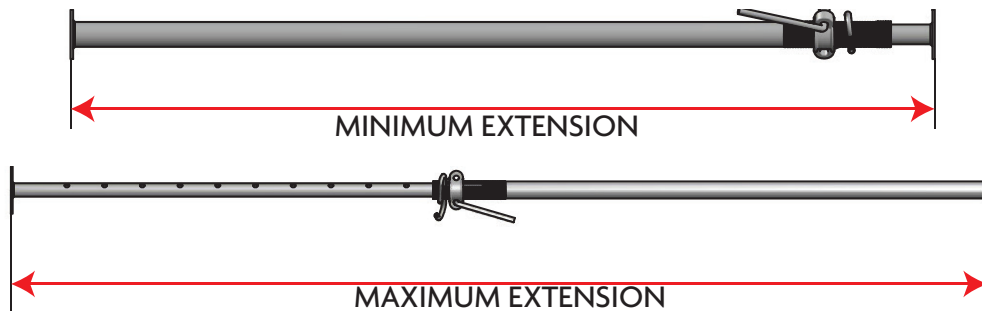
| Product Code | Description | Weight | |
|--------------|--------------------------------|--------|------|
| | | Lb | Kg |
| EMG3PSLC | Catwalk Grating Clip | 0.04 | 0.02 |
| EMG3USLC | Catwalk Grating Universal Clip | 0.04 | 0.02 |

HEAVY DUTY POST SHORE



| Product Code | Description | Open Length | | Closed Length | |
|--------------|-----------------------|---------------|--------|---------------|--------|
| | | Feet - Inches | Meters | Feet - Inches | Meters |
| SHPS0 | Heavy Duty Post Shore | 6' | 1.85 | 3'-5" | 1.03 |
| SHPS1 | Heavy Duty Post Shore | 9' | 2.78 | 5' | 1.53 |
| SHPS2 | Heavy Duty Post Shore | 10'-5" | 3.18 | 6'-7" | 2 |
| SHPS3 | Heavy Duty Post Shore | 12' | 3.68 | 6'-8" | 2.03 |
| SHPS4 | Heavy Duty Post Shore | 15' | 4.65 | 9'-10" | 3 |

MEDIUM DUTY POST SHORE



| Product Code | Description | Width | | Length | | Weight | |
|--------------|------------------------|---------------|--------|---------------|--------|--------|----|
| | | Feet - Inches | Meters | Feet - Inches | Meters | Lb | Kg |
| SHPS611 | Medium Duty Post Shore | 11'-6" | 3.5 | 6'-11" | 2.096 | 44 | 20 |

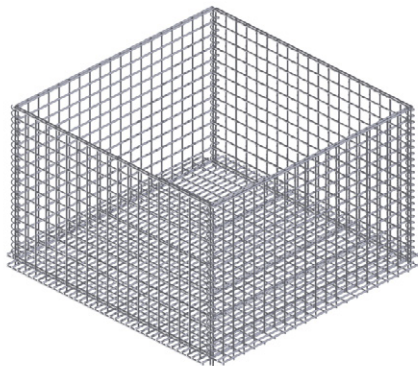
BASKETS



RKS RB



RKS RO



RKW BI

| Product Code | Description | Dimensions | Weight | |
|--------------|---------------------|-------------|--------|----|
| | | | Lb | Kg |
| RKS RB | Rack Storage Basket | 44"x44"x34" | 146.45 | 66 |
| RKS RO | Scaffold Rack | 44"x44"x34" | 100.24 | 45 |
| RKW BI | Wire Basket Insert | 42"x42"x25" | 106.7 | 48 |

CASTERS



CAS8SA



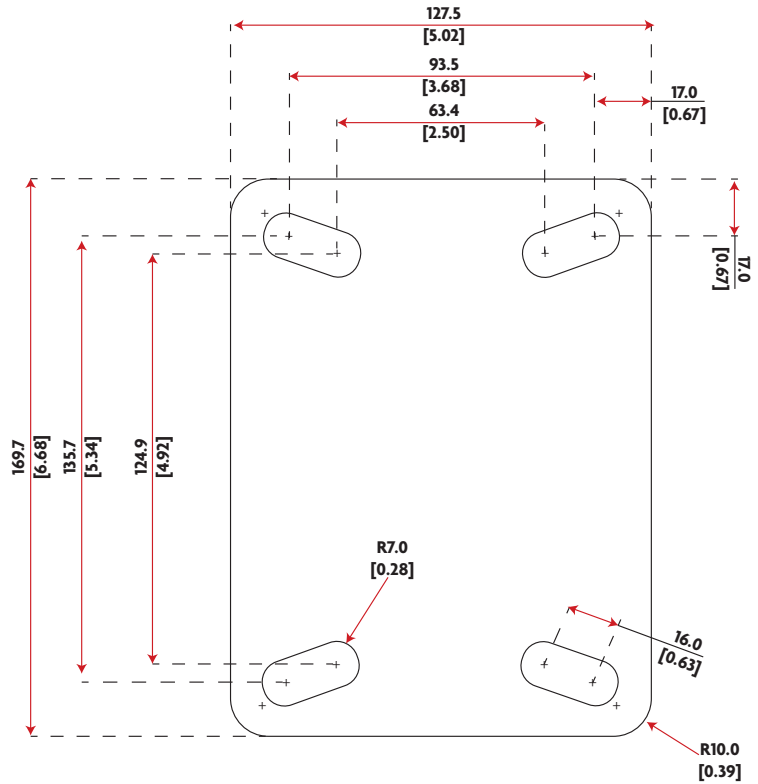
CA8SA, CAS8B

| Product Code | Description | Wheel Diameter | | Weight | | Adjustable Range | |
|--------------|---|----------------|--------|--------|----|------------------|--------|
| | | Inches | Meters | Lb | Kg | Inches | Meters |
| CAS8A | 8" Caster for 1-1/2" Tubing | 8" | 0.20 | 11.8 | 5 | N/A | N/A |
| CAS8B | 8" Caster for 1-5/8" or 1-11/16" | 8" | 0.20 | 12.2 | 6 | N/A | N/A |
| CAS8SA | 8" Adjustable Stem System Scaffold Caster | 8" | 0.20 | 17.9 | 8 | 6.00 | 0.15 |

PLATE CASTERS

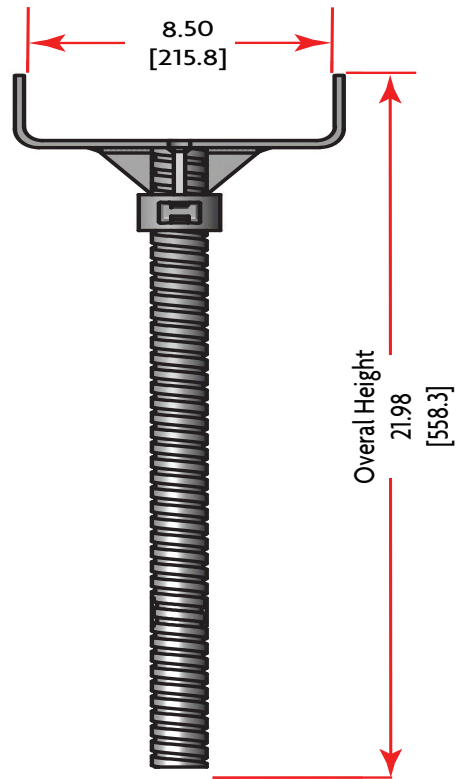
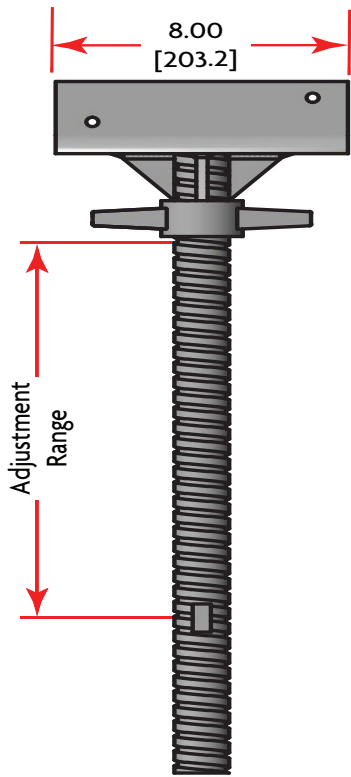


CAS12P



| Product Code | Description | Wheel Diameter | | Weight | | Adjustable Range | |
|--------------|---------------------------|----------------|--------|--------|----|------------------|--------|
| | | Inches | Meters | Lb | Kg | Inches | Meters |
| CAS12P | 12" Scaffold Plate Caster | 12" | 0.30 | 38.4 | 17 | N/A | N/A |

U-JACK

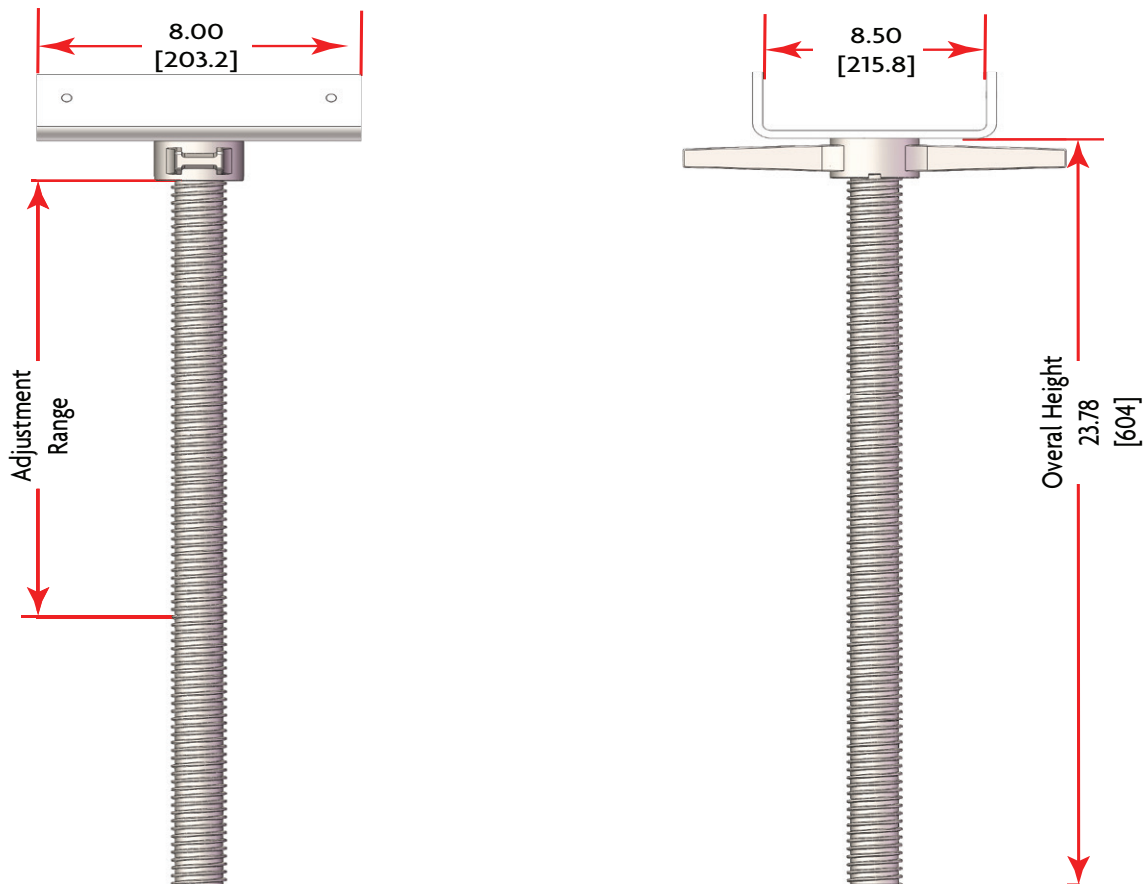


| Product Code | Description | Adjustment Range | | Weight | |
|--------------|----------------------|------------------|--------|--------|-----|
| | | Inches | Meters | Lb | Kg |
| BPSJBU89 | 8"x9" System U- Jack | 13.00 | 0.33 | 15 | 6.8 |

Threaded Tube O.D. 1.5"

Safe working loads are based on a 4:1 safety factor

ADJUSTABLE U-HEAD JACK

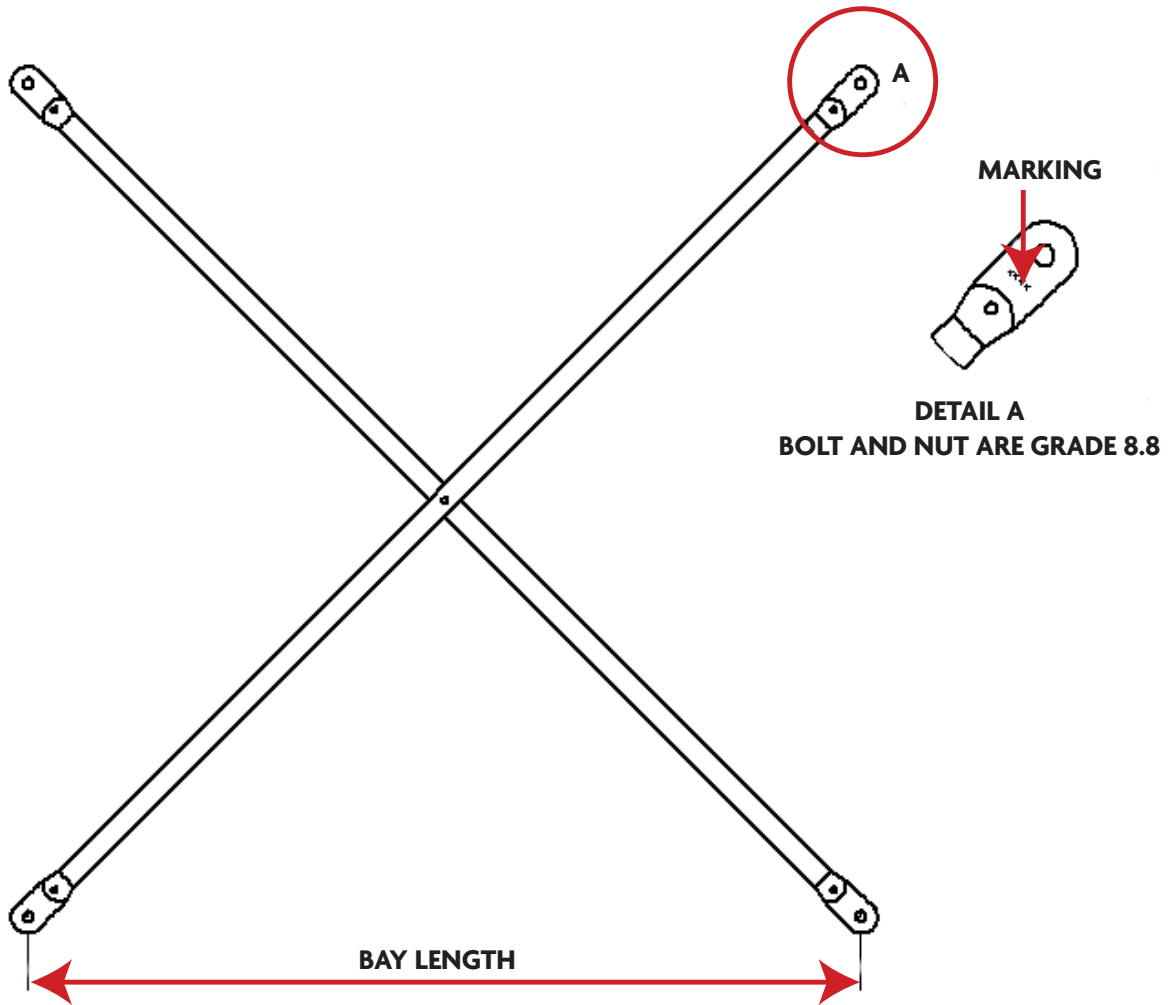


| Product Code | Description | Adjustment Range | | Weight | |
|--------------|----------------------------|------------------|--------|--------|------|
| | | Inches | Meters | Lb | Kg |
| FSUHJ68B | 6" x 8" U-Head Jack 1-3/8" | 16.5 | 0.42 | 15.7 | 7.12 |

Threaded Tube O.D. 1.5"

Safe working loads are based on a 4:1 safety factor

HEAVY DUTY BRACES

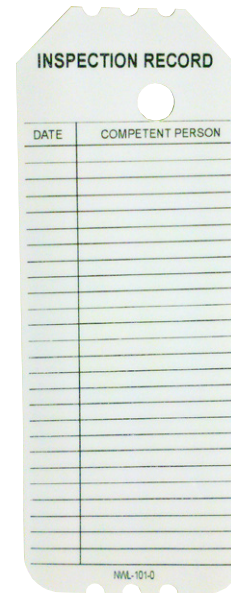


| Product Code | Description | Bay Length | | Lock Spacing | Marking |
|--------------|----------------|------------|--------|--------------|---------|
| | | in | mm | Inches | |
| BR0448D | 4' Hole Brace | 48 | 1219.2 | 48 | 0448HD |
| BR1248HD | 12" Hole Brace | 144 | 3657.6 | 48 | 1248HD |

SCAFFOLD TAGS



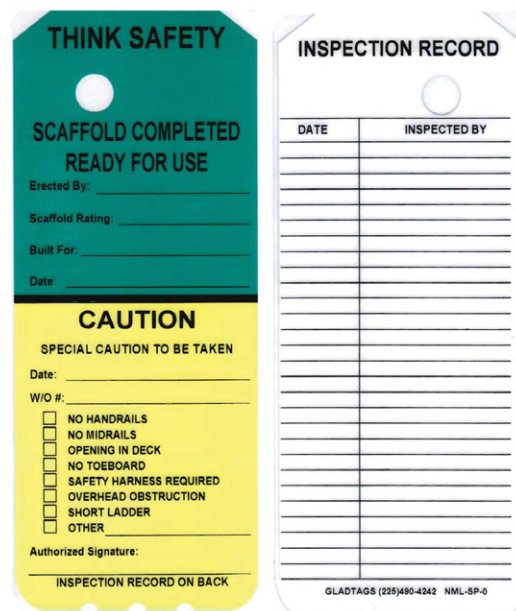
HW-NH-108



HW-NWL-101



HW-NYL-104



HW-NML-1

SCAFFOLD TAGS



HW-NGL-101



HW-NGYL-101



HW-NRL-101

Additional tags and postings are available upon request.



PRODUCT CATALOG
DSSCAT
UPDATED: 04/07/2016

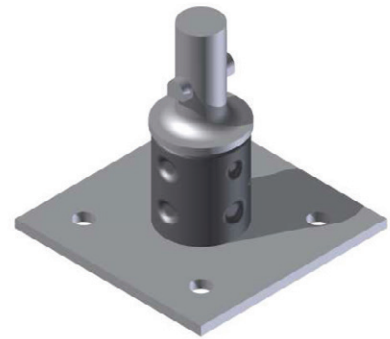
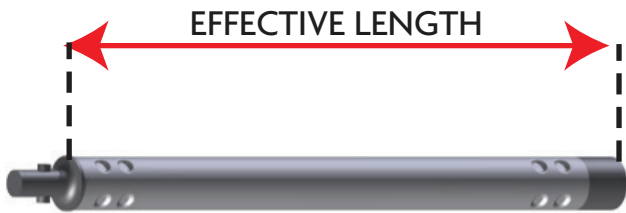


TUBE & CLAMP SECTION

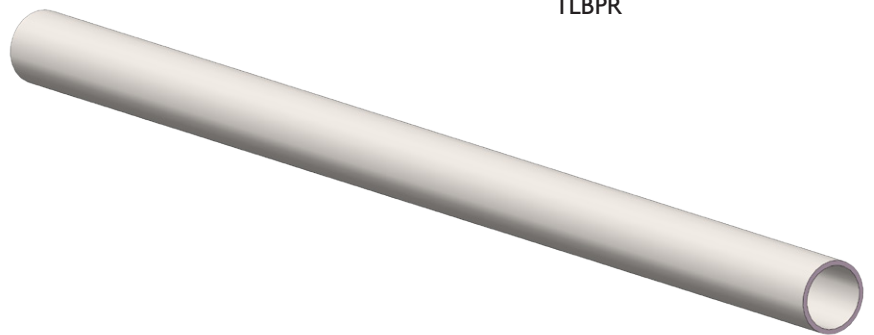
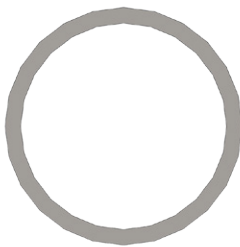
World Headquarters: 6059 South Loop East | Houston, TX 77087 | Offices In: Hong Kong | China | Latin America | Canada

713-673-7701 Phone | 800-720-6629 Toll Free | www.dss.net

TWIST LOCK TUBE



TLBPR



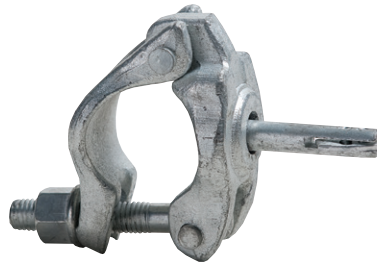
| Product Code | Description | Effective Length | | Weight | |
|--------------|---------------------|------------------|--------|--------|------|
| | | Inches | Meters | Lb | Kg |
| TL4 | 4' Twist Lock Tube | 48 | 1.22 | 9.6 | 4.3 |
| TL6 | 6' Twist Lock Tube | 72 | 1.83 | 13.2 | 6.0 |
| TL8 | 8' Twist Lock Tube | 96 | 2.44 | 17.1 | 7.7 |
| TL10 | 10' Twist Lock Tube | 120 | 3.05 | 20.0 | 9.1 |
| TL13 | 13' Twist Lock Tube | 156 | 3.96 | 26.5 | 12.0 |
| TL16 | 16' Twist Lock Tube | 192 | 4.88 | 33.9 | 15.4 |

| Product Code | Description | Weight | |
|--------------|-----------------------------|--------|-----|
| | | Lb | Kg |
| TLBPR | Twist Lock Base Plate Rigid | 3.2 | 1.5 |

I-BOLT CLAMPS



CMP1/2



CMP1/2Q



CMP1/2W



CMPRA



CMPSW

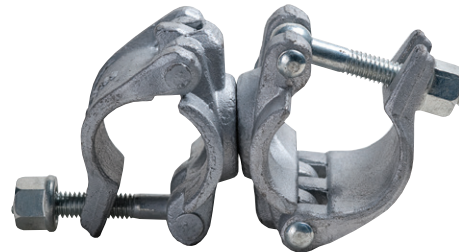
| Product Code | Description | Weight | |
|--------------|----------------------------|--------|-----|
| | | Lb | Kg |
| CMP1/2 | 1/2 Clamp (I-Bolt) | 2.0 | 0.9 |
| CMP1/2Q* | 1/2 Clamp w/Q-Lock | 2.2 | 1.0 |
| CMP1/2W* | 1/2 Clamp w/W-Lock | 1.4 | 0.6 |
| CMPRA | Right Angle Clamp (I-Bolt) | 3.3 | 1.5 |
| CMPSW | Swivel Clamp (I-Bolt) | 4.0 | 1.8 |

*Item not stocked

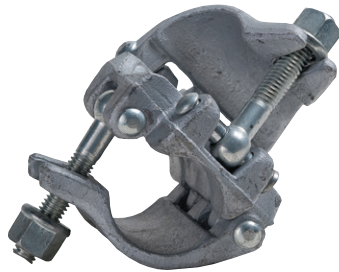
WIDE BODY CLAMPS



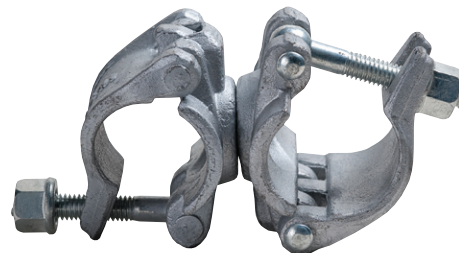
CMP4RA



CMP4SW



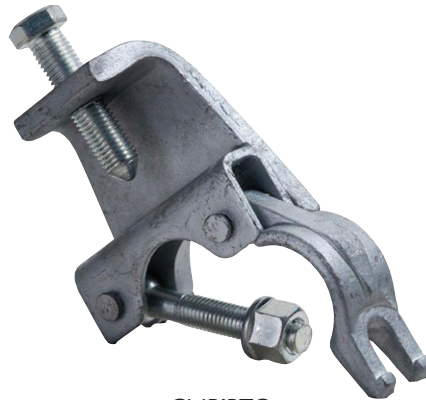
CMPNIRA



CMPNISW

| Product Code | Description | Weight | |
|--------------|---|--------|-----|
| | | Lb | Kg |
| CMP4RA | 4" Wide Body Right Angle Clamp (I-Bolt) | 4.2 | 1.9 |
| CMP4SW | 4" Wide Body Swivel Clamp (I-Bolt) | 4.9 | 2.2 |
| CMPNIRA | 4" Wide Body Right Angle Clamp (I-Bolt) - Italy | 4.2 | 1.9 |
| CMPNISW | 4" Body Swivel Clamp (I-Bolt) - Italy | 4.9 | 2.2 |

BEAM CLAMP



CMPIBTC



CMPIBTCF



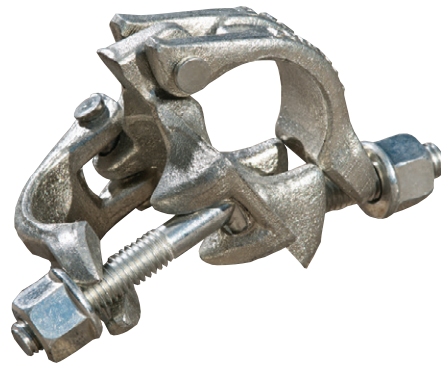
CMPIBSF

| Product Code | Description | Weight | |
|--------------|----------------------------|--------|-----|
| | | Lb | Kg |
| CMPIBTC | I-Beam Tube Clamp | 3.3 | 1.5 |
| CMPIBTCF | I-Beam Tube Clamp Forged | 3.5 | 1.6 |
| CMPIBSF | Swivel I-Beam Clamp Forged | 4.0 | 1.8 |

T-BOLT



CMPTS



CMPTRA

| Product Code | Description | Weight | |
|--------------|---|--------|------|
| | | Lb | Kg |
| CMPTRA | T Bolt Right Angle Clamp | 2.3 | 1.1 |
| CMPTS | T Bolt Swivel Clamp | 2.8 | 1.3 |
| CMPT1/2 | T Bolt 1/2 Clamp | 1.4 | 0.6 |
| CMPTR2X238 | T Bolt Right Angle Clamp 1.9" to 2.375" | 3.2 | 1.46 |
| CMPTS2X238 | T Bolt Swivel Clamp 1.9" to 2.375" | 3.4 | 1.55 |

WEDGE CLAMPS



CMPWR



CMPWS



CMPW1/2

| Product Code | Description | Weight | |
|--------------|---|--------|-----|
| | | Lb | Kg |
| CMPWR | Wedge Clamp Right Angle | 3.2 | 1.5 |
| CMPWS | Wedge Clamp Swivel | 3.6 | 1.7 |
| CMPW1/2 | 1/2 Wedge Clamp | 1.8 | 0.8 |
| CMPWR2XB | Tube to Frame Right Angle Wedge Clamp 1.9" to 1.625" | 3.2 | 1.4 |
| CMPWS2XB | Tube to Frame Swivel Angle Wedge Clamp 1.9" to 1.625" | 3.6 | 1.6 |
| CMPWR2XC | Tube to Frame Right Angle Wedge Clamp 1.9" to 1.69" | 3.2 | 1.4 |
| CMPWS2XC | Tube to Frame Swivel Angle Wedge Clamp 1.9" to 1.69" | 3.6 | 1.6 |

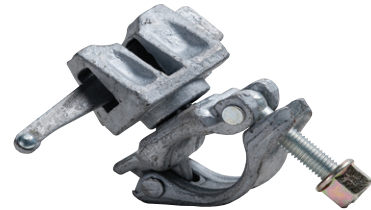
RING SYSTEM ACCESSORY CLAMPS



CMP-RLIHC



CMP-RMPEBR



CMP-RMPEBS



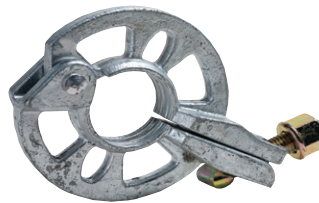
CMP-RMPWCR



CMP-RMPWCS



CMP-RTWC



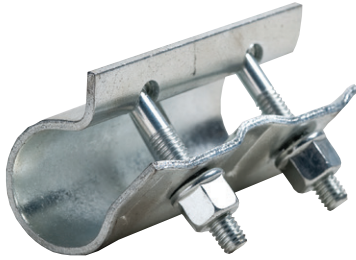
CMP-RCLB



CMP-RCLW

| Product Code | Description | Weight | |
|--------------|--|--------|-----|
| | | Lb | Kg |
| CMP-RLIHC | Ring Lock Inter. Horizontal Clip | 1.8 | 0.8 |
| CMP-RMPEBR | Ring Mouth Piece w/Rigid Eye-Bolt Clamp | 3.2 | 1.5 |
| CMP-RMPEBS | Ring Mouth Piece w/Swivel Eye-Bolt Clamp | 2.9 | 1.3 |
| CMP-RMPWCR | Ring Mouth Piece w/Rigid Wedge Clamp | 3.4 | 1.6 |
| CMP-RMPWCS | Ring Mouth Piece w/Swivel Wedge Clamp | 3.4 | 1.6 |
| CMP-RTWC | Twin Wedge Coupler Ring Lock | 2.5 | 1.1 |
| CMP-RCLB | Clamp on Rosette Bolt Style | 2.4 | 1.1 |
| CMP-RCLW | Clamp on Rosette Wedge Style | 1.6 | 0.7 |

TUBE COUPLERS



CMPSC



CMPSCW



CMPSEP



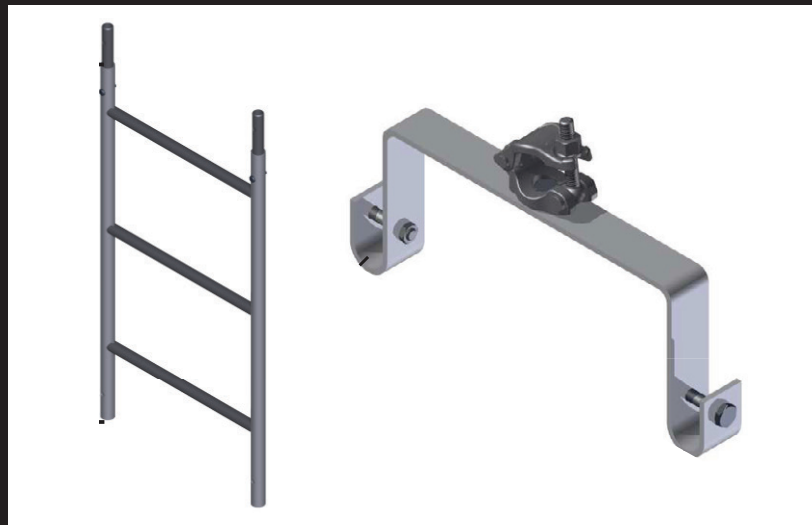
CMPSPL

| Product Code | Description | Weight | |
|--------------|-------------------------------------|--------|-----|
| | | Lb | Kg |
| CMPSC | Sleeve Coupler Tube Lock | 2.7 | 1.2 |
| CMPSCW | Wedge Style Sleeve Coupler (Joiner) | 2.4 | 1.1 |
| CMPSEP | System Expansion Pin (Forged) | 2.6 | 1.2 |
| CMPSPL | Single Putlog Coupler | 1.4 | 0.7 |



PRODUCT CATALOG
DSSCAT
UPDATED: 04/07/2016

PRODUCT CATALOG

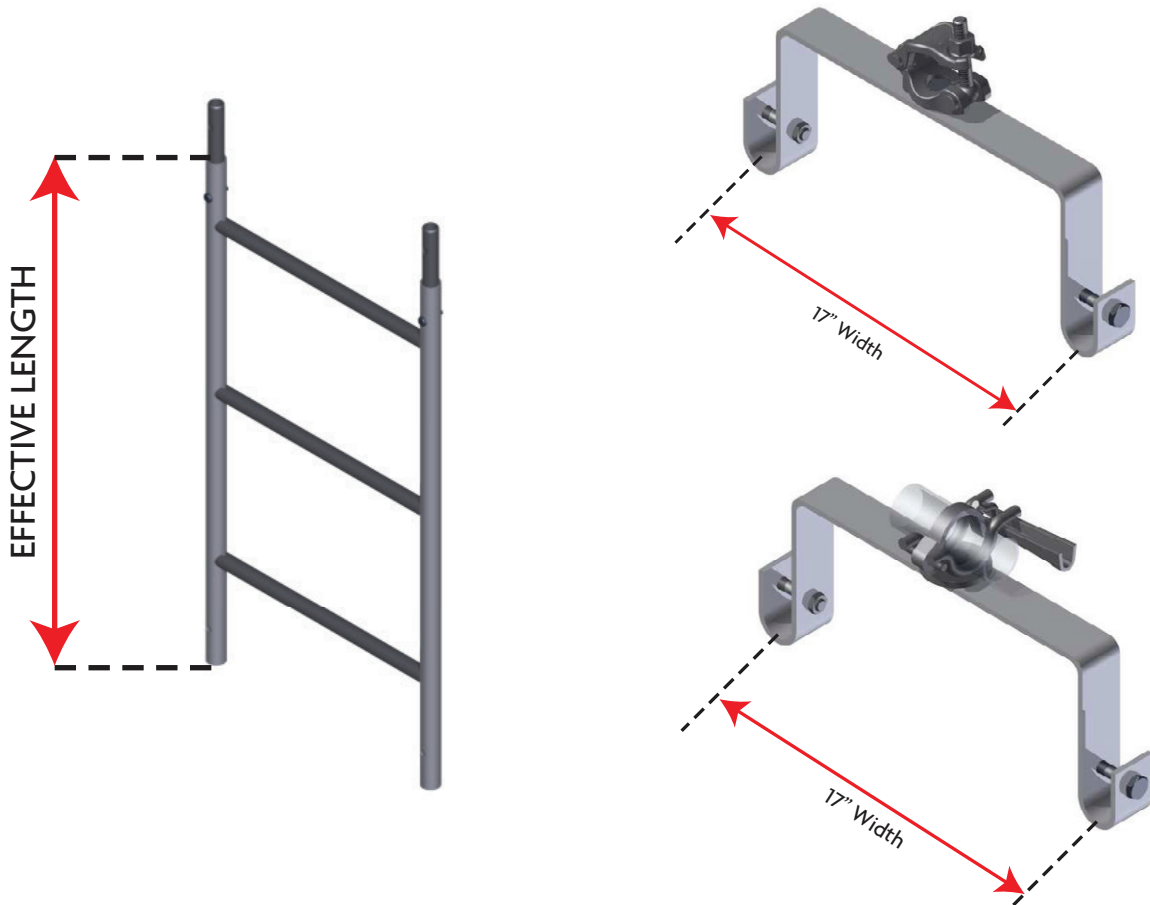


LADDERS SECTION

World Headquarters: 6059 South Loop East | Houston, TX 77087 | Offices In: Hong Kong | China | Latin America | Canada

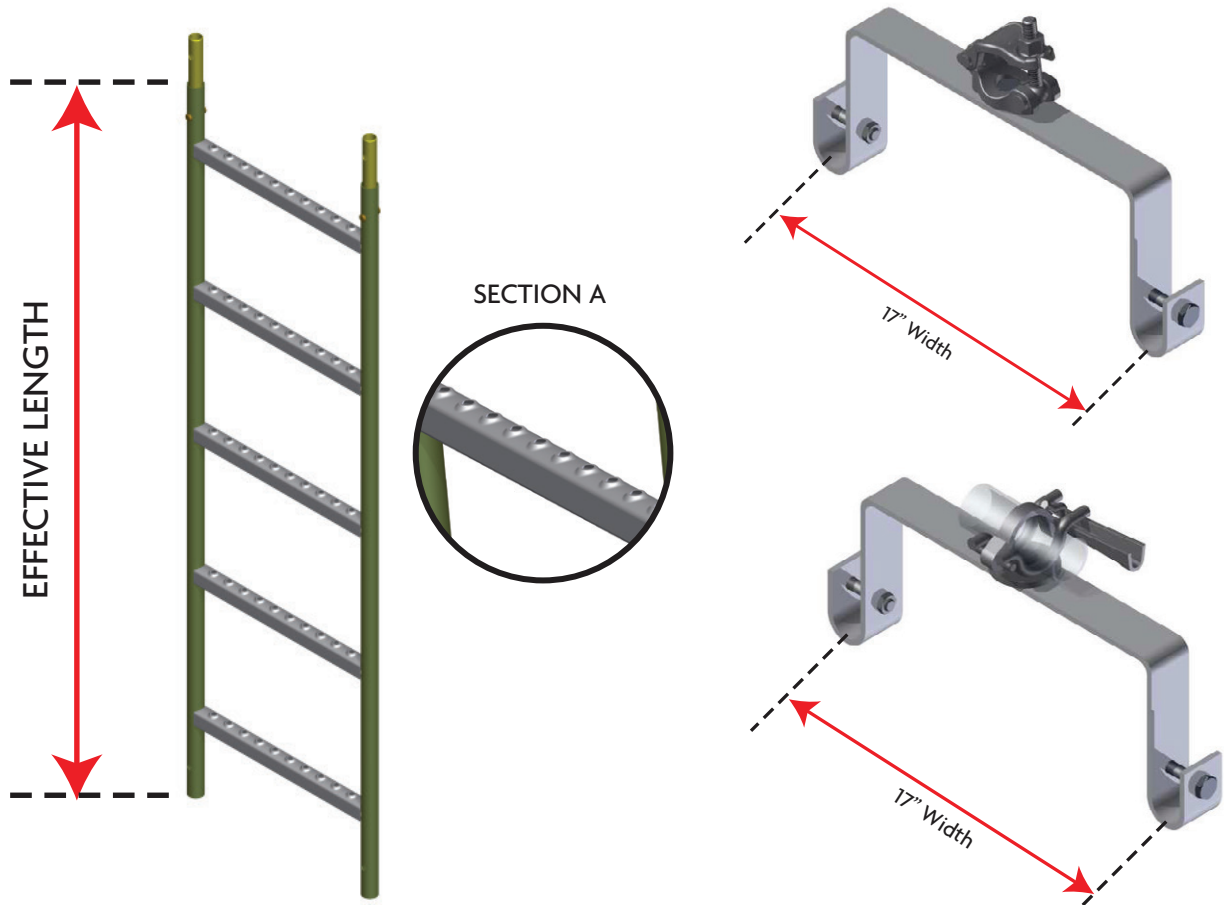
713-673-7701 Phone | 800-720-6629 Toll Free | www.dss.net

17" WIDE LADDER & BRACKET



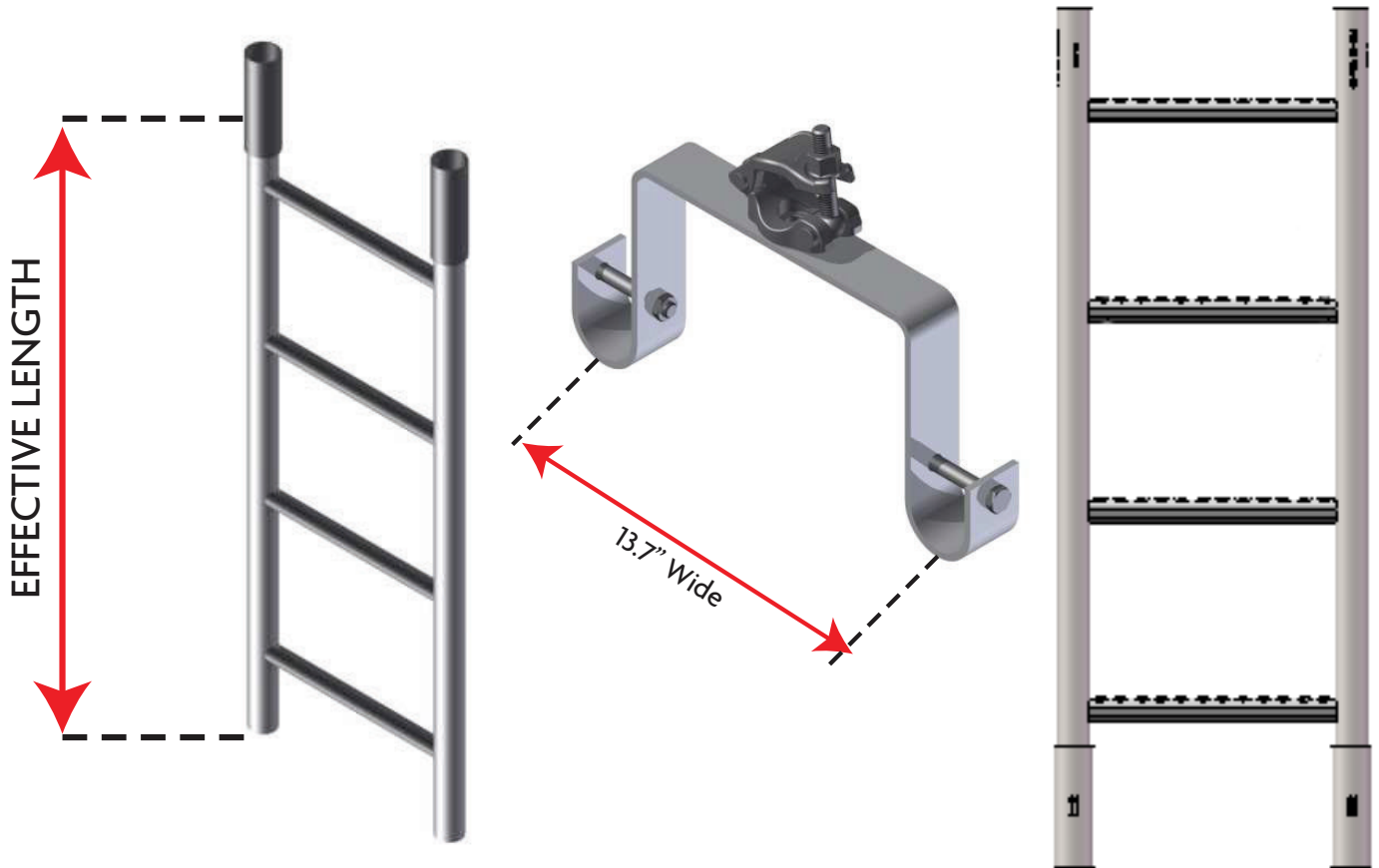
| Product Code | Description | Effective Length | | Weight | |
|--------------|--|------------------|--------|--------|-----|
| | | Inches | Meters | Lb | Kg |
| LD17W3 | 3'-17" Wide Ladder | 36 | 0.91 | 10.6 | 4.8 |
| LD17W5 | 5'-17" Wide Ladder | 60 | 1.52 | 17.2 | 7.8 |
| LD17W6 | 6'-17" Wide Ladder | 72 | 1.83 | 20.1 | 9.1 |
| LDB17W | 17" Wide Ladder Bracket - 7.25" Deep | 17 | 0.43 | 7.1 | 3.2 |
| LDB17W-W | 17" Wide Ladder Bracket Wedge Style - 7.25" Deep | 17 | 0.43 | 7.3 | 3.3 |

17" WIDE NON-SLIP LADDER & BRACKET



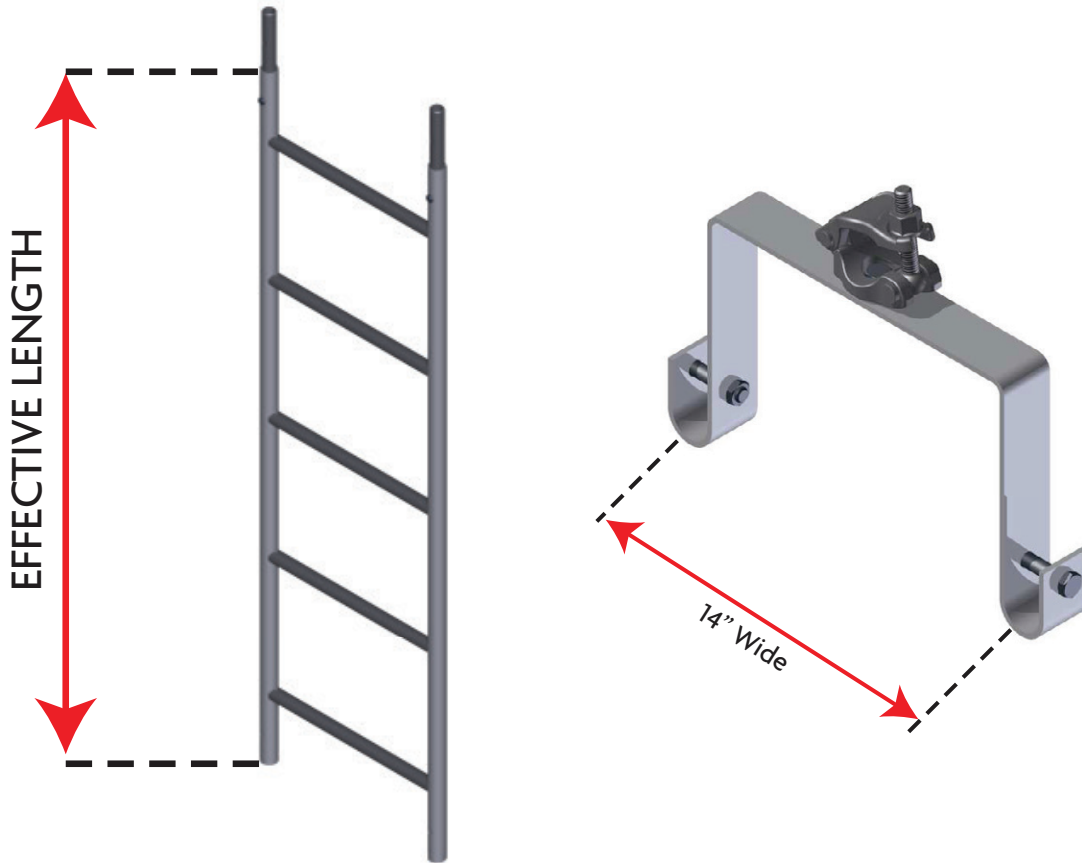
| Product Code | Description | Effective Length | | Weight | |
|--------------|--|------------------|--------|--------|-----|
| | | Inches | Meters | Lb | Kg |
| LD17WNS3 | 3'-17" Wide Non-slip Ladder | 36 | 0.91 | 10.6 | 4.8 |
| LD17WNS5 | 5'-17" Wide Non-slip Ladder | 60 | 1.52 | 17.2 | 7.8 |
| LD17WNS6 | 6'-17" Wide Non-slip Ladder | 72 | 1.83 | 20.1 | 9.1 |
| LDB17W | 17" Wide Ladder Bracket - 7.25" Deep | 17 | 0.43 | 7.1 | 3.2 |
| LDB17W-W | 17" Wide Ladder Bracket Wedge Style - 7.25" Deep | 17 | 0.43 | 7.3 | 3.3 |

HEAVY DUTY STEEL LADDER & BRACKET



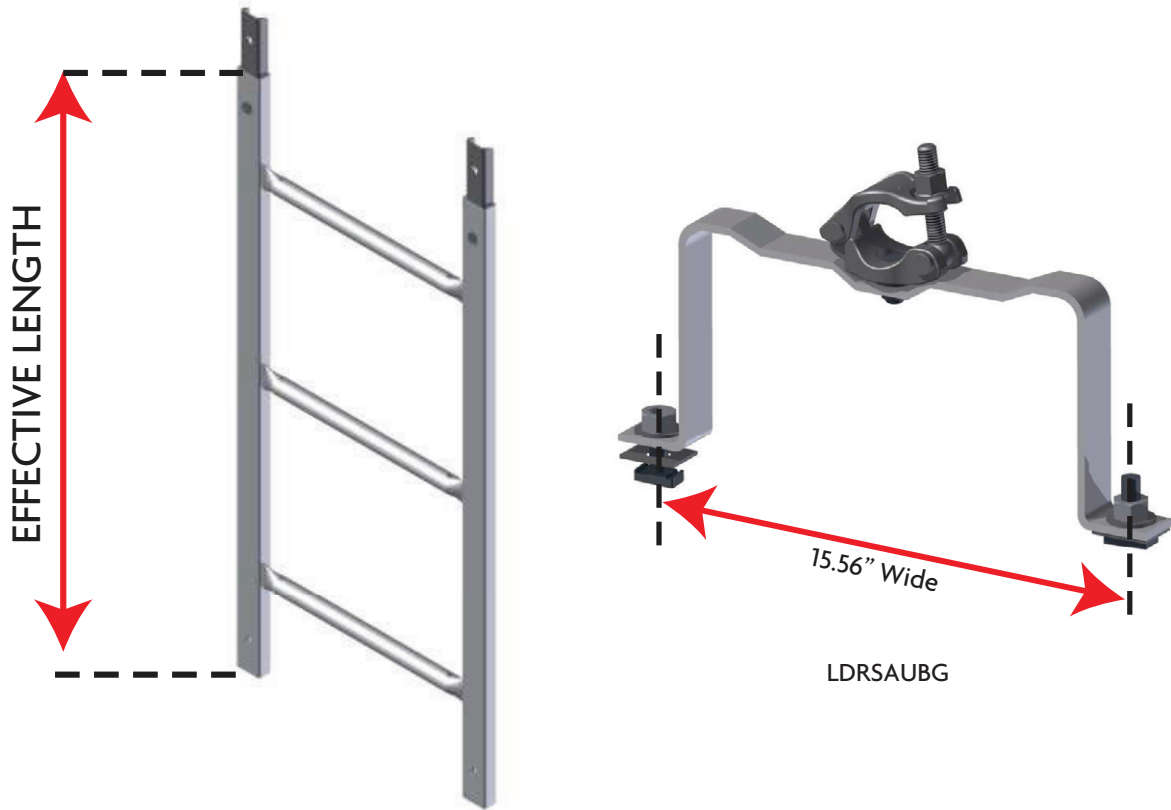
| Product Code | Description | Effective Length | | Weight | |
|--------------|-------------------------------|------------------|--------|--------|------|
| | | Inches | Meters | Lb | Kg |
| LDCSLW3 | 3' Steel Ladder - 13.7" Wide | 39.37 | 1.00 | 18.0 | 8.2 |
| LDCSLW5 | 5' Steel Ladder - 13.7" Wide | 59.06 | 1.50 | 25.4 | 11.5 |
| LDCSLW10 | 10' Steel Ladder - 13.7" Wide | 118.11 | 3.00 | 46.2 | 21.0 |
| LDCLBW | Ladder Bracket - 7.74" Deep | 13.7 | 0.35 | 6.8 | 3.1 |

LADDER-RING TYPE



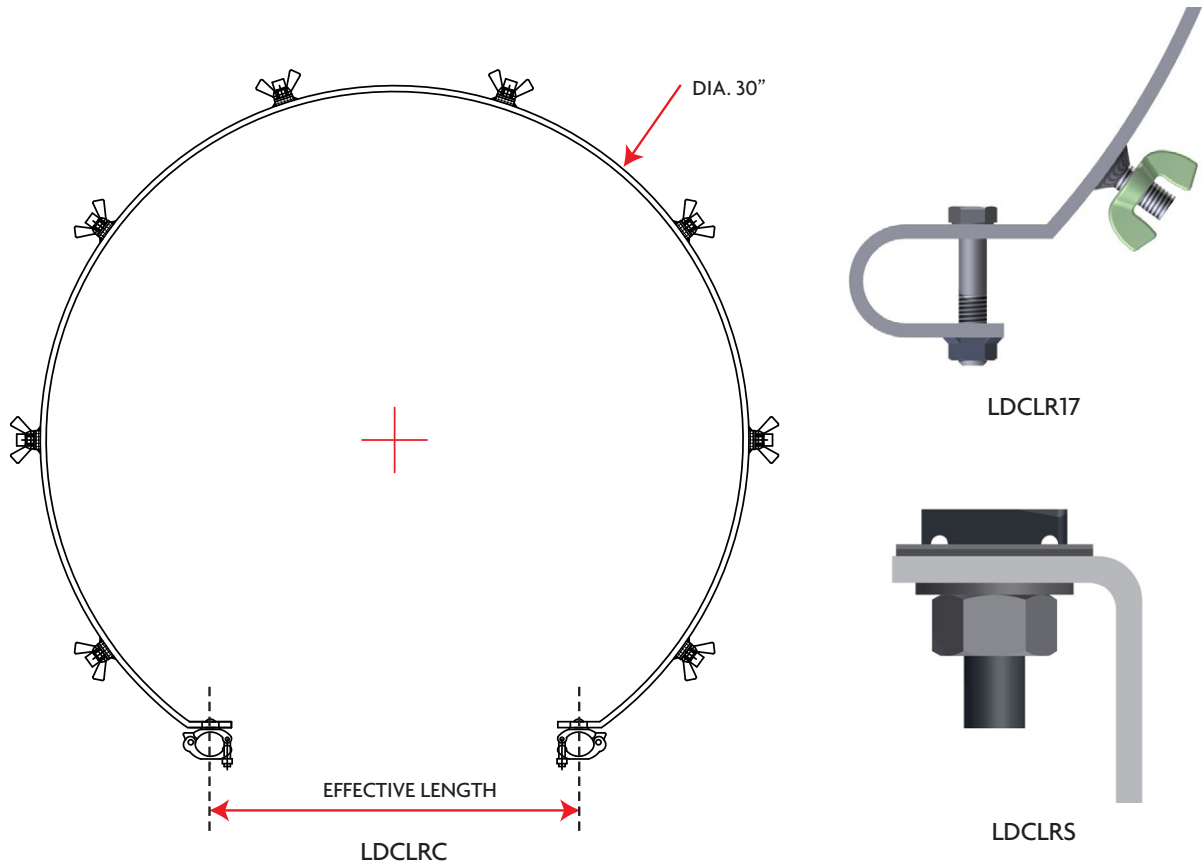
| Product Code | Description | Effective Length | | Weight | |
|--------------|------------------------------------|------------------|--------|--------|------|
| | | Inches | Meters | Lb | Kg |
| LDRL3 | 3' Ladder-Ring Type - 14" Wide | 36 | 0.91 | 11.0 | 5.0 |
| LDRL5 | 5' Ladder-Ring Type - 14" Wide | 60 | 1.52 | 17.7 | 8.0 |
| LDRL10 | 10' Ladder-Ring Type - 14" Wide | 120 | 3.05 | 30.0 | 13.6 |
| LDRRLBW | Ladder Bracket Ring Type - 9" Deep | 16.8 | 0.43 | 7.5 | 3.4 |

SAU CHANNEL STYLE LADDER



| Product Code | Description | Effective Length | | Weight | |
|--------------|--------------------------|------------------|--------|--------|-----|
| | | Inches | Meters | Lb | Kg |
| LDRSAU3G | SAU Style 3' Ladder | 36.00 | 0.91 | 10.6 | 4.8 |
| LDRSAU6G | SAU Style 6' Ladder | 72.00 | 1.83 | 19.4 | 8.8 |
| LDRSAUBG | SAU Style Ladder Bracket | 15.56 | 0.40 | 6.4 | 2.9 |

CAGE RINGS

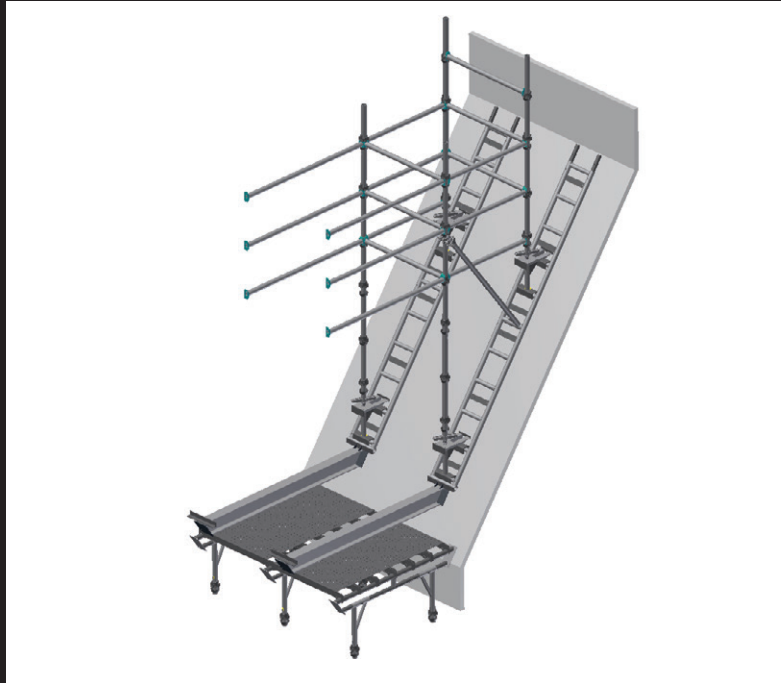


| Product Code | Description | Weight | |
|--------------|-------------------------------------|--------|-----|
| | | Lb | Kg |
| LDCLR75C | 3/4 Ladder Cage Ring w/1/2 Clamp | 11.0 | 5.0 |
| LDCLRC | Ladder Cage Ring w/1/2 Clamp (CAGD) | 13.0 | 5.9 |
| LDCLRS | Ladder Cage Ring w/SAUT Bolt | 10.4 | 4.7 |



PRODUCT CATALOG
DSSCAT
UPDATED: 04/07/2016

PRODUCT CATALOG

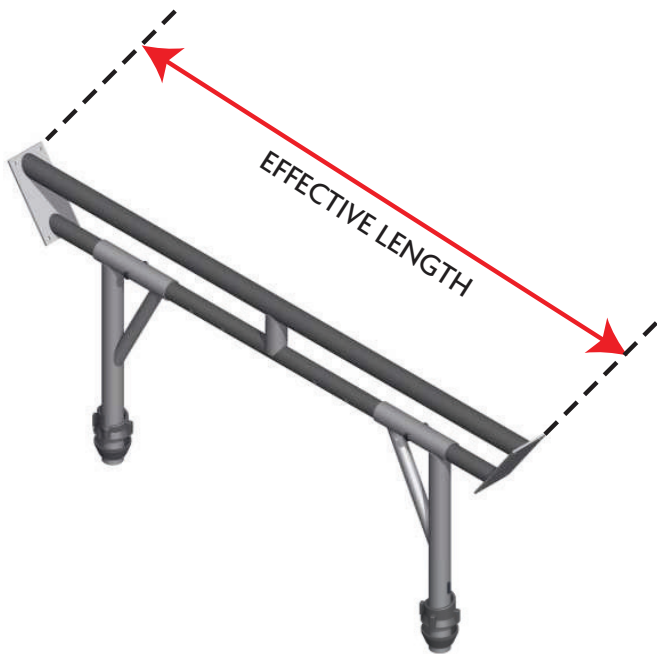


BOILER SYSTEM SECTION

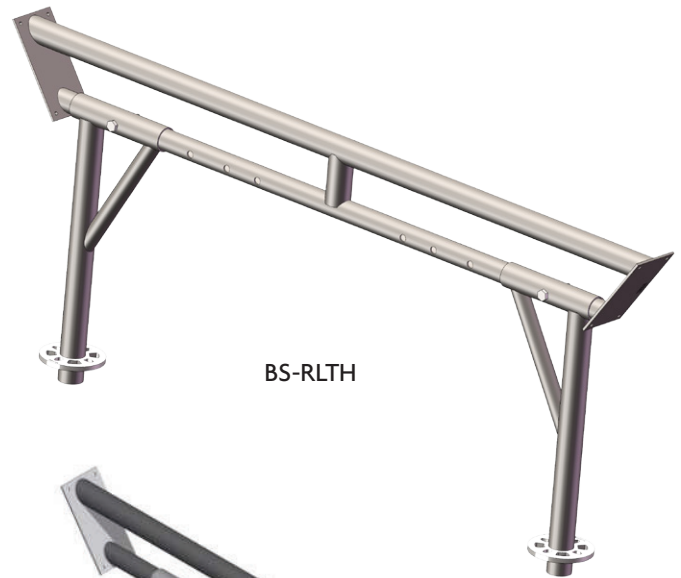
World Headquarters: 6059 South Loop East | Houston, TX 77087 | Offices In: Hong Kong | China | Latin America | Canada

713-673-7701 Phone | 800-720-6629 Toll Free | www.dss.net

THROAT HEADER



BS-CLTH



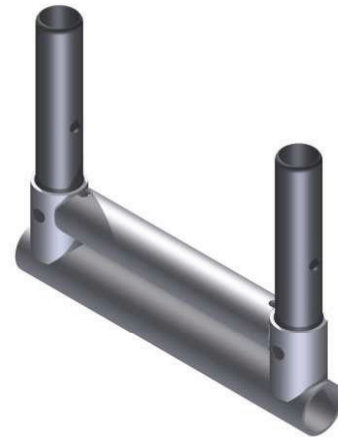
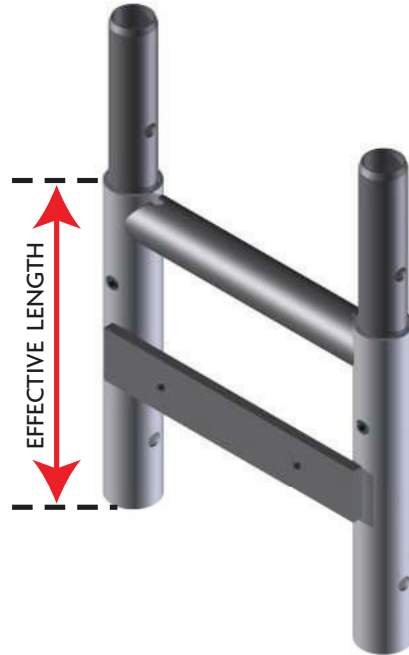
BS-RLTH



BS-TCTH

| Product Code | Description | Effective Length | | Weight | |
|--------------|-------------------------|------------------|--------|--------|------|
| | | Inches | Meters | Lb | Kg |
| BS-CLTH | Cup Lock Throat Header | 60.47 | 1.54 | 41.9 | 19.0 |
| BS-TCTH | Throat Header | 60.47 | 1.54 | 39.2 | 17.8 |
| BS-RLTH | Ring Lock Throat Header | 60.47 | 1.54 | 23.7 | 10.7 |

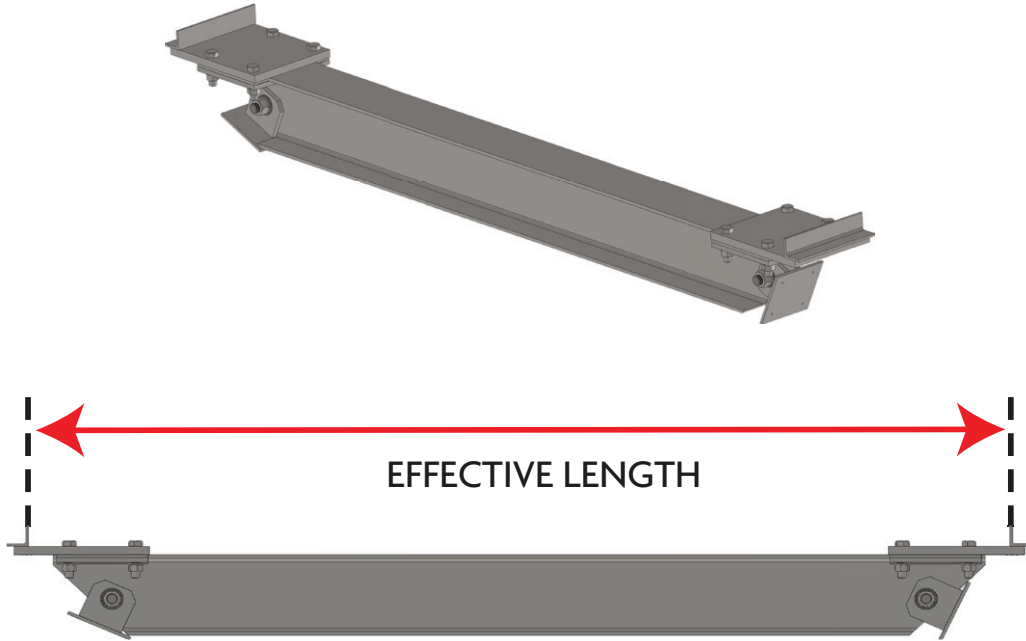
FRAMES & FRAME STARTER



BS-FS

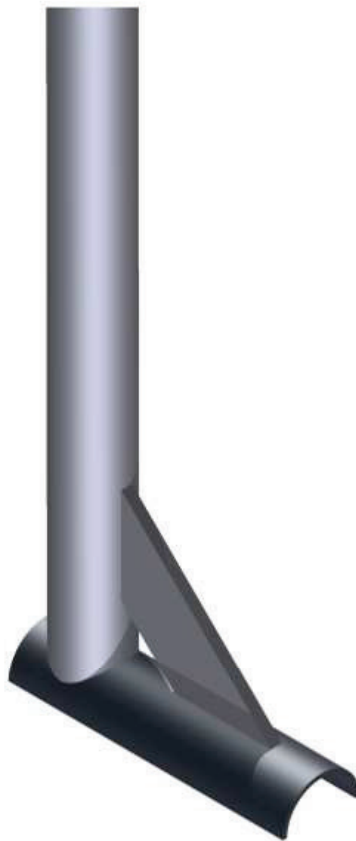
| Product Code | Description | Effective Length | | Weight | |
|--------------|---------------|------------------|--------|--------|------|
| | | Inches | Meters | Lb | Kg |
| BS-F1 | 12" Frame | 12 | 0.31 | 13.4 | 6.1 |
| BS-F3 | 36" Frame | 36 | 0.91 | 29.1 | 13.2 |
| BS-F5 | 60" Frame | 60 | 1.52 | 44.5 | 20.2 |
| BS-F6 | 72" Frame | 72 | 1.83 | 48.5 | 22.0 |
| BS-FS | Frame Starter | 4.12 | 0.11 | 7.5 | 3.4 |

BASE BEAM



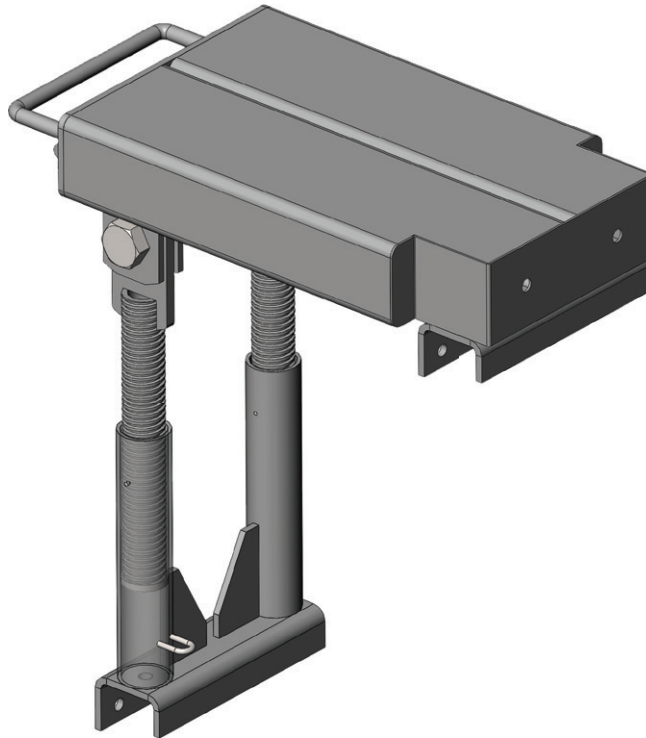
| Product Code | Description | Effective Length | | Weight | |
|--------------|---------------|------------------|--------|--------|-------|
| | | Inches | Meters | Lb | Kg |
| BS-IB04 | 4' Base Beam | 54.13 | 1.37 | 105.8 | 48.0 |
| BS-IB06 | 6' Base Beam | 79.12 | 2.01 | 138.4 | 62.8 |
| BS-IB10 | 10' Base Beam | 123.44 | 3.14 | 224.9 | 102.0 |

SADDLE BRACE



| Product Code | Description | Effective Length | | Weight | |
|--------------|------------------|------------------|--------|--------|------|
| | | Inches | Meters | Lb | Kg |
| BSSB10 | 10' Saddle Brace | 120 | 3.05 | 28.7 | 13.0 |

VEE CHAIR



| Product Code | Description | Weight | |
|--------------|----------------------|--------|------|
| | | Lb | Kg |
| BS-AVC | Adjustable Vee Chair | 6.88 | 3.12 |



PRODUCT CATALOG
DSSCAT
UPDATED: 04/07/2016

PRODUCT CATALOG



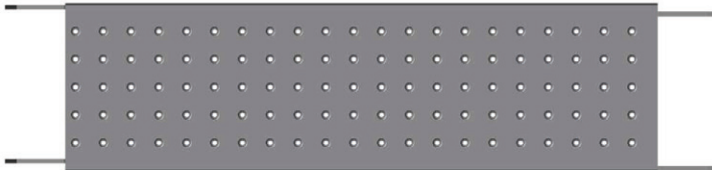
WALK BOARD SECTION

World Headquarters: 6059 South Loop East | Houston, TX 77087 | Offices In: Hong Kong | China | Latin America | Canada

713-673-7701 Phone | 800-720-6629 Toll Free | www.dss.net

9" STEEL PLANK

TOP VIEW



FRONT VIEW



Cup Lock Imperial Sizes

| Product Code | Description | Bay Length | | Weight | |
|--------------|-------------------|------------|--------|--------|------|
| | | Inches | Meters | Lb | Kg |
| WBSSP27 | 2'-7" Steel Plank | 31 | 0.79 | 13.5 | 6.1 |
| WBSSP3 | 3' Steel Plank | 36 | 0.91 | 15.7 | 7.1 |
| WBSSP36 | 3'-6" Steel Plank | 42 | 1.07 | 17.1 | 7.7 |
| WBSSP4 | 4' Steel Plank | 48 | 1.22 | 19 | 8.6 |
| WBSSP5 | 5' Steel Plank | 60 | 1.52 | 23.2 | 10.5 |
| WBSSP6 | 6' Steel Plank | 72 | 1.83 | 26.5 | 12 |
| WBSSP7 | 7' Steel Plank | 84 | 2.13 | 31.2 | 14.2 |
| WBSSP8 | 8' Steel Plank | 96 | 2.44 | 35.4 | 16.1 |
| WBSSP9 | 9' Steel Plank | 108 | 2.74 | 39.8 | 18.1 |
| WBSSP10 | 10' Steel Plank | 120 | 3.05 | 42.9 | 19.5 |

Cup Lock Metric Sizes

| Product Code | Description | Bay Length | | Weight | |
|--------------|--------------------|------------|--------|--------|------|
| | | Inches | Meters | Lb | Kg |
| WBSSP27 | 2'-7" Steel Plank | 31 | 0.79 | 13.5 | 6.1 |
| WBSSP211 | 2'-11" Steel Plank | 35 | 0.9 | 14.5 | 6.6 |
| WBSSP36 | 3'-6" Steel Plank | 42 | 1.07 | 17.1 | 7.7 |
| WBSSP41 | 4'-1" Steel Plank | 49 | 1.25 | 19.1 | 8.7 |
| WBSSP411 | 4'-11" Steel Plank | 59 | 1.5 | 22.2 | 10.1 |
| WBSSP511 | 5'-11" Steel Plank | 71 | 1.8 | 24.9 | 11.3 |
| WBSSP7 | 7' Steel Plank | 84 | 2.13 | 31.2 | 14.2 |
| WBSSP82 | 8'-2" Steel Plank | 98 | 2.5 | 37.1 | 16.9 |
| WBSSP10 | 10' Steel Plank | 120 | 3.05 | 42.9 | 19.5 |

Ring Lock Imperial Sizes

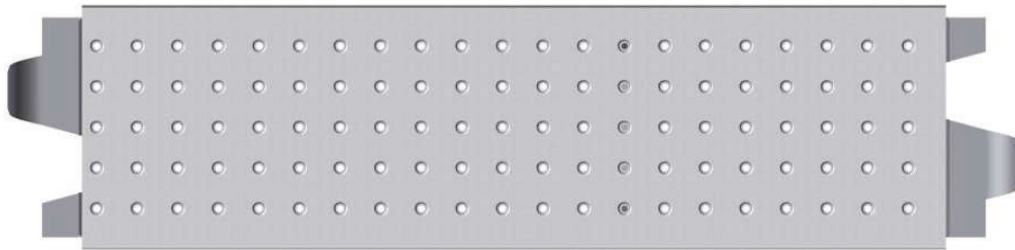
| Product Code | Description | Bay Length | | Weight | |
|--------------|-------------------|------------|--------|--------|------|
| | | Inches | Meters | Lb | Kg |
| WBSSP3 | 3' Steel Plank | 36 | 0.91 | 15.7 | 7.1 |
| WBSSP36 | 3'-6" Steel Plank | 42 | 1.07 | 17.1 | 7.7 |
| WBSSP4 | 4' Steel Plank | 48 | 1.22 | 19 | 8.6 |
| WBSSP5 | 5' Steel Plank | 60 | 1.52 | 23.2 | 10.5 |
| WBSSP6 | 6' Steel Plank | 72 | 1.83 | 26.5 | 12 |

Ring Lock Imperial Sizes - Cont.

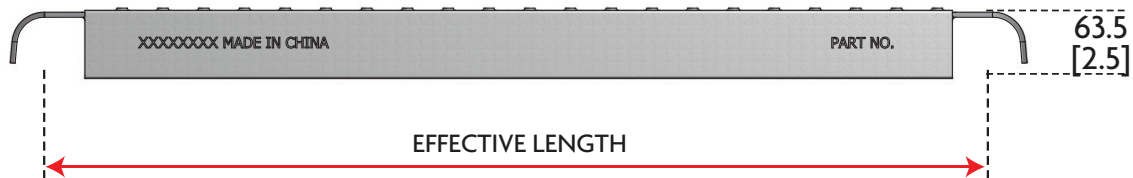
| Product Code | Description | Bay Length | | Weight | |
|--------------|-----------------|------------|--------|--------|------|
| | | Inches | Meters | Lb | Kg |
| WBSSP7 | 7' Steel Plank | 84 | 2.13 | 31.2 | 14.2 |
| WBSSP8 | 8' Steel Plank | 96 | 2.44 | 35.4 | 16.1 |
| WBSSP9 | 9' Steel Plank | 108 | 2.74 | 39.8 | 18.1 |
| WBSSP10 | 10' Steel Plank | 120 | 3.05 | 42.9 | 19.5 |

9" LOW PROFILE STEEL PLANK

TOP VIEW



FRONT VIEW



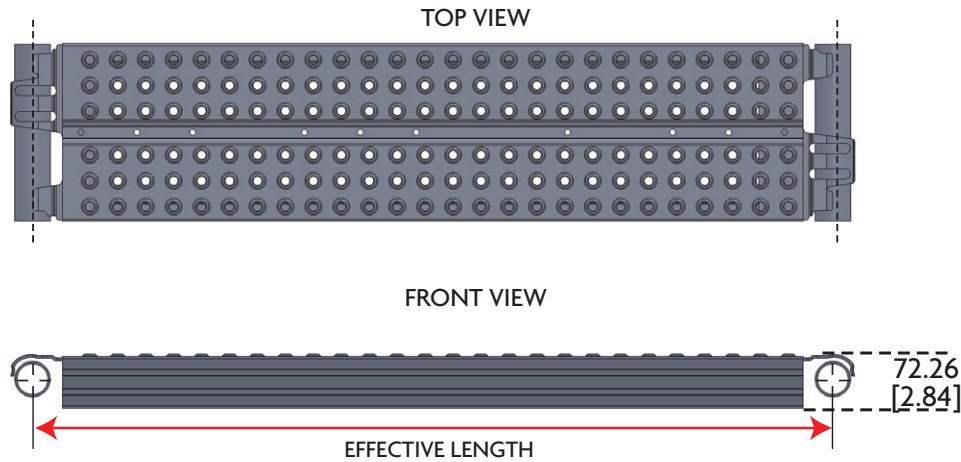
| Product Code | Description | Effective Length | | Weight | |
|--------------|----------------------------------|------------------|--------|--------|------|
| | | Inches | Meters | Lb | Kg |
| WBDEP27 | 2'-7" Low Profile Steel w/Hook | 31 | 0.79 | 16.6 | 7.5 |
| WBDEP3 | 3' Low Profile Steel w/Hook | 36 | 0.91 | 18.6 | 8.5 |
| WBDEP36S | 3'-6" Low Profile Steel w/Hook | 42 | 1.07 | 20 | 9.1 |
| WBDEP36RL | 3'-6.8" Low Profile Steel w/Hook | 42.8 | 1.09 | 20.1 | 9.1 |
| WBDEP39 | 3'-9" Low Profile Steel w/Hook | 45.3 | 1.15 | 21.3 | 9.7 |
| WBDEP4 | 4' Low Profile Steel w/Hook | 48 | 1.22 | 22.1 | 10 |
| WBDEP43 | 4'-3" Low Profile Steel w/Hook | 51 | 1.29 | 23.1 | 10.5 |
| WBDEP410 | 4'-10" Low Profile Steel w/Hook | 58 | 1.48 | 25.3 | 11.5 |
| WBDEP5 | 5' Low Profile Steel w/Hook | 60 | 1.52 | 26.6 | 12 |
| WBDEP52 | 5'-2" Low Profile Steel w/Hook | 62 | 1.57 | 26.5 | 12 |



9" LOW PROFILE STEEL PLANK

| Product Code | Description | Effective Length | | Weight | |
|--------------|---------------------------------|------------------|--------|--------|------|
| | | Inches | Meters | Lb | Kg |
| WBDEP511 | 5'-11" Low Profile Steel w/Hook | 71 | 1.8 | 27.12 | 12.3 |
| WBDEP6 | 6' Low Profile Steel w/Hook | 72 | 1.83 | 29.59 | 13.4 |
| WBDEP69 | 6'-9" Low Profile Steel w/Hook | 82 | 2.07 | 33.69 | 15.3 |
| WBDEP7 | 7' Low Profile Steel w/Hook | 84 | 2.13 | 34.37 | 15.6 |
| WBDEP8 | 8' Low Profile Steel w/Hook | 96 | 2.44 | 38.6 | 17.5 |
| WBDEP82 | 8'-2" Low Profile Steel w/Hook | 98 | 2.5 | 38.36 | 17.4 |
| WBDEP86 | 8'-6" Low Profile Steel w/Hook | 101 | 2.57 | 40.9 | 18.6 |
| WBDEP9 | 9' Low Profile Steel w/Hook | 180 | 2.74 | 43.19 | 19.6 |
| WBDEP100 | 10' Low Profile Steel w/Hook | 120 | 3.05 | 46.39 | 21 |

9-1/2" LOW PROFILE STEEL PLANK

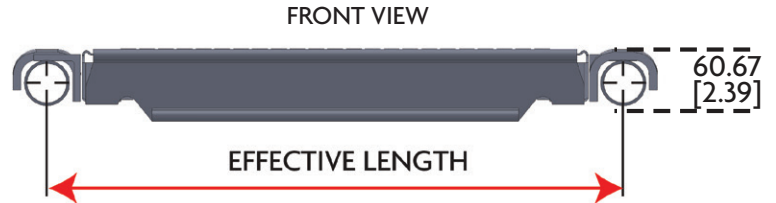
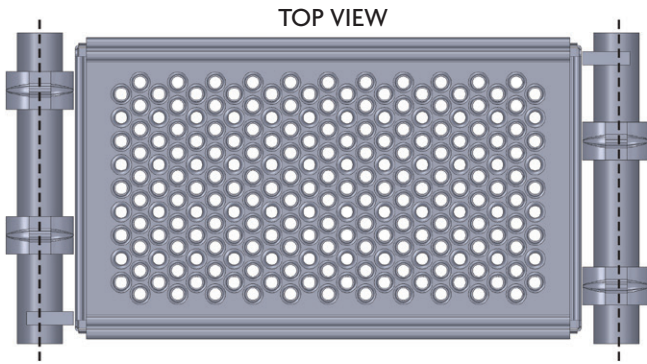


| Imperial Sizes | | | | | |
|----------------|---------------------|------------------|--------|--------|------|
| Product Code | Description | Effective Length | | Weight | |
| | | Inches | Meters | Lb | Kg |
| WBCS20 | 2' Plank w/Hooks | 24 | 0.61 | 14.3 | 6.4 |
| WBCS25 | 2'-5" Plank w/Hooks | 29.1 | 0.74 | 16.1 | 7.3 |
| WBCS26 | 2'-6" Plank w/Hooks | 29.5 | 0.75 | 15.4 | 7 |
| WBCS36 | 3'-6" Plank w/Hooks | 42.8 | 1.09 | 20 | 9.1 |
| WBCS50 | 5' Plank w/Hooks | 60 | 1.52 | 25.8 | 11.7 |
| WBCS60 | 6' Plank w/Hooks | 72 | 1.83 | 29.7 | 13.5 |
| WBCS80 | 8' Plank w/Hooks | 96 | 2.44 | 38.3 | 17.4 |
| WBCS100 | 10' Plank w/Hooks | 120 | 3.05 | 47.1 | 21.4 |

| Canadian Sizes | | | | | |
|----------------|-----------------------|------------------|--------|--------|------|
| Product Code | Description | Effective Length | | Weight | |
| | | Inches | Meters | Lb | Kg |
| WBCS22 | 2'-2" Plank w/Hooks | 25.6 | 0.65 | 14.3 | 6.5 |
| WBCS36S | 3'-6" S Plank w/Hooks | 42 | 1.07 | 19.6 | 9 |
| WBCS39 | 3'-9" Plank w/Hooks | 45.2 | 1.15 | 20.2 | 9.1 |
| WBCS52 | 5'-2" Plank w/Hooks | 61.8 | 1.57 | 26.1 | 11.8 |
| WBCS70 | 7' Plank w/Hooks | 83.9 | 2.13 | 34 | 15.4 |

Note: Custom sizes available, minimum order may be required.

12-1/2" STEEL PLANK



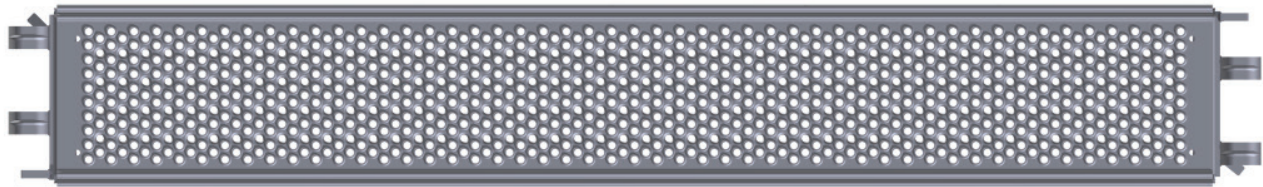
| Imperial Sizes | | | | | |
|----------------|----------------------|------------------|--------|--------|------|
| Product Code | Description | Effective Length | | Weight | |
| | | Inches | Meters | Lb | Kg |
| WBSWP2 | 2' Plank w/Hooks | 24 | 0.61 | 14 | 6.5 |
| WBSWP24 | 2'-4" Plank w/Hooks | 25 | 0.73 | 16.4 | 7.4 |
| WBSWP211 | 2'-11" Plank w/Hooks | 35 | 0.88 | 18.7 | 8.5 |
| WBSWP3 | 3' Plank w/Hooks | 36 | 0.91 | 21 | 9.3 |
| WBSWP33 | 3'-3" Plank w/Hooks | 39 | 0.99 | 22 | 10 |
| WBSWP36 | 3'-6" Plank w/Hooks | 43 | 1.09 | 24 | 10.8 |
| WBSWP4 | 4' Plank w/Hooks | 48 | 1.22 | 26 | 11.6 |
| WBSWP43 | 4'-3" Plank w/Hooks | 51 | 1.29 | 25.6 | 11.6 |
| WBSWP47 | 4'-7" Plank w/Hooks | 55 | 1.40 | 26.1 | 11.8 |
| WBSWP410 | 4'-10" Plank w/Hooks | 58 | 1.48 | 26.6 | 12.1 |
| WBSWP411 | 4'-11" Plank w/Hooks | 59 | 1.50 | 27.1 | 12.3 |
| WBSWP5 | 5' Plank w/Hooks | 60 | 1.52 | 28.4 | 12.9 |
| WBSWP6 | 6' Plank w/Hooks | 72 | 1.83 | 35 | 16 |

| Imperial Sizes Cont. | | | | | |
|----------------------|----------------------|------------------|--------|--------|------|
| Product Code | Description | Effective Length | | Weight | |
| | | Inches | Meters | Lb | Kg |
| WBSWP69 | 6'-9" Plank w/Hooks | 81 | 2.07 | 37 | 17 |
| WBSWP8 | 8' Plank w/Hooks | 96 | 2.44 | 41 | 18.6 |
| WBSWP86 | 8'-6" Plank w/Hooks | 101 | 2.57 | 43.2 | 19.6 |
| WBSWP9 | 9' Plank w/Hooks | 108 | 2.74 | 45 | 20.5 |
| WBSWP910 | 9'-10" Plank w/Hooks | 118 | 3.00 | 46.5 | 21.1 |
| WBSWP101 | 10'-1" Plank w/Hooks | 121 | 3.07 | 47.3 | 21.5 |

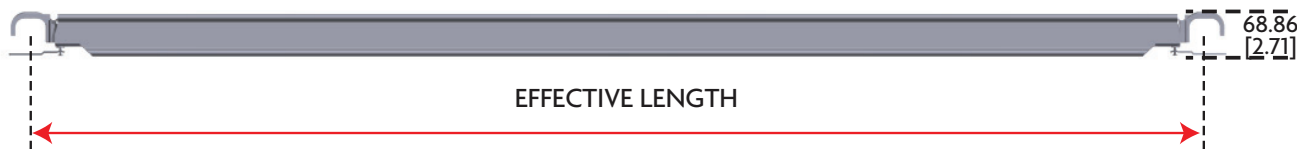
| Canadian Sizes | | | | | |
|----------------|---------------------|------------------|--------|--------|------|
| Product Code | Description | Effective Length | | Weight | |
| | | Inches | Meters | Lb | Kg |
| WBSWP22 | 2'-2" Plank w/Hooks | 26 | 0.65 | 15.7 | 7.1 |
| WBSWP36S | 3'-6" Plank w/Hooks | 42 | 1.07 | 23.1 | 10.5 |
| WBSWP39 | 3'-9" Plank w/Hooks | 45 | 1.15 | 25 | 11.5 |
| WBSWP52 | 5'-2" Plank w/Hooks | 62 | 1.57 | 30 | 13.6 |
| WBSWP7 | 7' Plank w/Hooks | 84 | 2.13 | 39 | 17.7 |
| WBSWP100 | 10' Plank w/Hooks | 120 | 3.05 | 46.8 | 21.2 |

12-1/2" ALUMINUM PLANK

TOP VIEW



FRONT VIEW



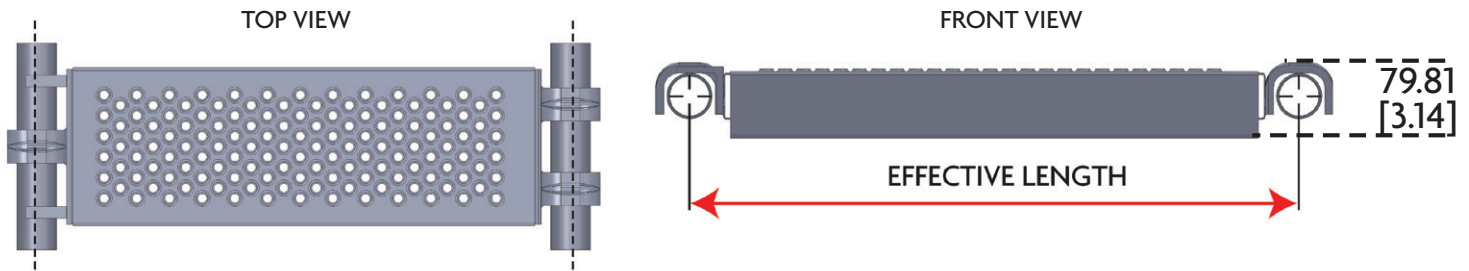
| Product Code | Description | Effective Length | | Weight | |
|--------------|-------------------------------|------------------|--------|--------|------|
| | | Inches | Meters | Lb | Kg |
| WBASWP2 | 2' Aluminum Plan w/Hooks | 24 | 0.67 | 7.15 | 3.24 |
| WBASWP22 | 2'-2" Aluminum Plank w/Hooks | 26 | 0.66 | 7.21 | 3.27 |
| WBASWP24 | 2'-5" Aluminum Plank w/Hooks | 29 | 0.74 | 7.52 | 3.41 |
| WBASWP211 | 2'-11" Aluminum Plank w/Hooks | 35 | 0.89 | 8.13 | 3.69 |
| WBASWP3 | 3' Aluminum Plank w/Hooks | 36 | 0.91 | 8.27 | 3.75 |
| WBASWP33 | 3'-3" Aluminum Plank w Hooks | 39 | 0.99 | 8.58 | 3.89 |
| WBASWP36 | 3'-6" Aluminum Plank w/Hooks | 42 | 1.06 | 8.76 | 3.97 |
| WBASWP39 | 3'-9" Aluminum Plank w/Hooks | 45 | 1.14 | 9.24 | 4.19 |
| WBASWP4 | 4' Aluminum Plank w/Hooks | 48 | 1.22 | 9.56 | 4.34 |
| WBASWP43 | 4'-3" Aluminum Plank w/Hooks | 51 | 1.3 | 9.79 | 4.44 |



12-1/2" ALUMINUM PLANK

| Product Code | Description | Effective Length | | Weight | |
|--------------|-------------------------------|------------------|--------|--------|------|
| | | Inches | Meters | Lb | Kg |
| WBASWP410 | 4'-10" Aluminum Plank w/Hooks | 58 | 1.47 | 10.6 | 4.81 |
| WBASWP5 | 5' Aluminum Plank w/Hooks | 60 | 1.52 | 10.77 | 4.89 |
| WBASWP52 | 5'-2" Aluminum Plank w/Hooks | 62 | 1.57 | 10.97 | 4.98 |
| WBASWP55 | 5'-5" Aluminum Pank w/Hooks | 65 | 1.65 | 11.29 | 5.12 |
| WBASWP6 | 6' Aluminum Plank w/Hooks | 72 | 1.83 | 12.02 | 5.45 |
| WBASWP69 | 6'-9" Aluminum Plank w/Hooks | 81 | 2.06 | 13.02 | 5.91 |
| WBASWP7 | 7' Aluminum Plank w/Hooks | 84 | 2.13 | 13.25 | 6.01 |
| WBASWP8 | 8' Aluminum Plank w/Hooks | 96 | 2.44 | 14.52 | 6.59 |
| WBASWP86 | 8'-6" Aluminum Plank w/Hooks | 102 | 2.6 | 15.07 | 6.84 |
| WBASWP9 | 9' Aluminum Plank w/Hooks | 108 | 2.74 | 15.25 | 6.92 |
| WBASWP100 | 10' Aluminum Plank w Hooks | 120 | 3.05 | 17.07 | 7.74 |
| WBASWP101 | 10'-1" Aluminum Pank w/Hooks | 121 | 3.07 | 17.11 | 7.76 |

7-9/16" FILLER STEEL PLANK



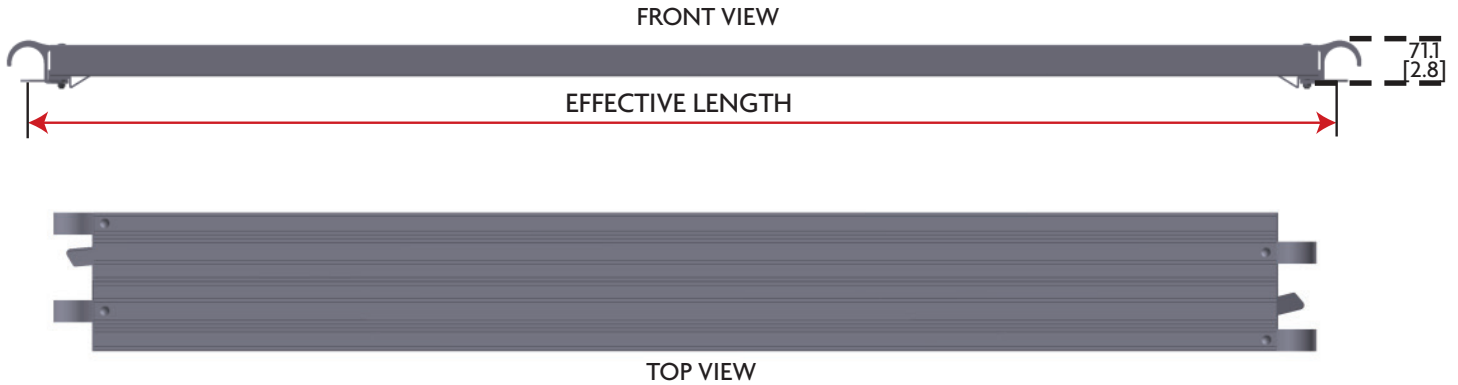
Imperial Sizes

| Product Code | Description | Effective Length | | Weight | |
|--------------|----------------------|------------------|--------|--------|------|
| | | Inches | Meters | Lb | Kg |
| WBSWPF20 | 2'-0" Plank w/Hooks | 24 | 0.61 | 11.1 | 5.0 |
| WBSWPF24 | 2'-4" Plank w/Hooks | 28 | 0.73 | 12.7 | 5.8 |
| WBSWPF211 | 2'-11" Plank w/Hooks | 35 | 0.88 | 14.6 | 6.6 |
| WBSWPF30 | 3'-0" Plank w/Hooks | 36 | 0.91 | 15.0 | 6.8 |
| WBSWPF33 | 3'-3" Plank w/Hooks | 39 | 0.99 | 15.3 | 7 |
| WBSWPF36 | 3'-6" Plank w/Hooks | 42 | 1.09 | 16.4 | 7.4 |
| WBSWPF40 | 4'-0" Plank w/Hooks | 48 | 1.22 | 18.0 | 8.1 |
| WBSWPF43 | 4'-3" Plank w/Hooks | 51 | 1.29 | 18.7 | 8.5 |
| WBSWPF410 | 4'-10" Plank w/Hooks | 58 | 1.48 | 19.7 | 8.9 |
| WBSWPF50 | 5'-0" Plank w/Hooks | 60 | 1.52 | 21.6 | 9.8 |
| WBSWPF60 | 6'-0" Plank w/Hooks | 72 | 1.83 | 23.8 | 10.8 |
| WBSWPF69 | 6'-9" Plank w/Hooks | 81.6 | 2.07 | 24.7 | 11.2 |
| WBSWPF70 | 7' Plank w/Hooks | 84 | 2.13 | 25.8 | 11.7 |
| WBSWPF86 | 8'-6" Plank w/Hooks | 102 | 2.57 | 31.1 | 14.1 |
| WBSWPF90 | 9'-0" Plank w/Hooks | 108 | 2.74 | 32.9 | 14.9 |
| WBSWPF101 | 10'-1" Plank w/Hooks | 121 | 3.07 | 35.3 | 16 |

Canadian Sizes

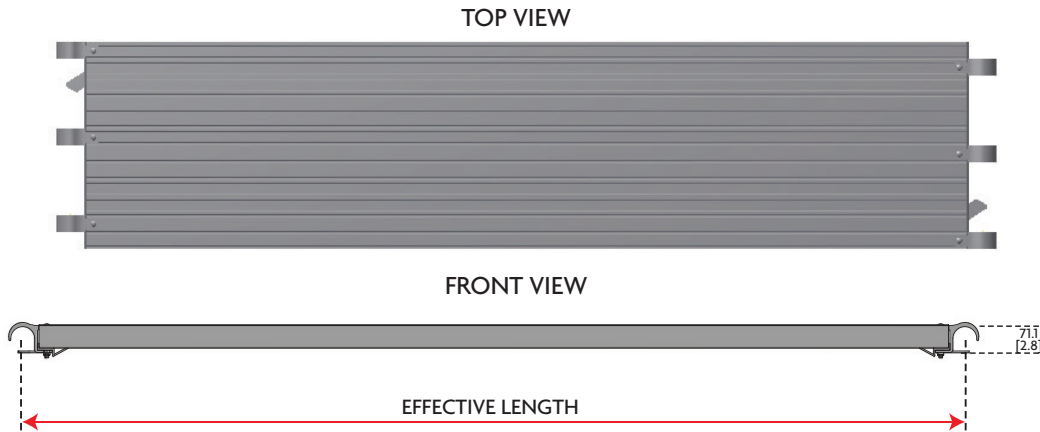
| Product Code | Description | Effective Length | | Weight | |
|--------------|----------------------|------------------|--------|--------|------|
| | | Inches | Meters | Lb | Kg |
| WBSWPF22 | 2'-2" Plank w/Hooks | 26 | 0.65 | 11.9 | 5.4 |
| WBSWPF36S | 3'-6" Plank w/Hooks | 42 | 1.09 | 16.4 | 7.4 |
| WBSWPF39 | 3'-9" Plank w/Hooks | 45 | 1.15 | 17.4 | 7.9 |
| WBSWPF40 | 4'-0" Plank w/Hooks | 48 | 1.22 | 18.0 | 8.1 |
| WBSWPF43 | 4'-3" Plank w/Hooks | 51 | 1.29 | 18.7 | 8.5 |
| WBSWPF410 | 4'-10" Plank w/Hooks | 58 | 1.48 | 19.7 | 8.9 |
| WBSWPF50 | 5'-0" Plank w/Hooks | 60 | 1.52 | 21.6 | 9.8 |
| WBSWPF52 | 5'-2" Plank w/Hooks | 62 | 1.57 | 21.8 | 9.9 |
| WBSWPF100 | 10' Plank w/Hooks | 120 | 3.05 | 35.1 | 15.9 |

9.5" ALL ALUMINUM WALK BOARD



| Product Code | Description | Effective Length | | Weight | |
|--------------|--|------------------|--------|--------|------|
| | | Inches | Meters | Lb | Kg |
| WBAA953 | 9.5"X3' All Alumn Walk Board (0.914M) | 36 | 0.91 | 7.7 | 3.5 |
| WBAA9536S | 9.5"X3'-6" All Alumn Walk Board (1.066M) | 42 | 1.06 | 7.9 | 3.6 |
| WBAA9539 | 9.5"X3'-9" All Alumn Walk Board (1.066M) | 45 | 1.14 | 9.03 | 4.1 |
| WBAA954 | 9.5"x4' All Alumn Walk Board (1.220M) | 48 | 1.22 | 9.03 | 4.1 |
| WBAA955 | 9.5"x5' All Alumn Walk Board (1.524M) | 60 | 1.52 | 11 | 5 |
| WBAA9552 | 9.5"x5'-2" All Alumn Walk Board (1.524M) | 62 | 1.57 | 11.4 | 5.15 |
| WBAA9555 | 9.5"x5'-6" All Alumn Walk Board (1.651M) | 65 | 1.65 | 11.8 | 5.35 |
| WBAA956 | 9.5"x6' All Alumn Walk Board (1.829M) | 72 | 1.83 | 12.8 | 5.8 |
| WBAA957 | 9.5"x7' All Alumn Walk Board (2.134M) | 84 | 2.13 | 14.6 | 6.6 |
| WBAA958 | 9.5"x8' All Alumn Walk Board (2.438M) | 96 | 2.44 | 16.2 | 7.33 |
| WBAA9586 | 9.5"x8'-6" All Alumn Walk Board (2.572M) | 102 | 3.05 | 17.2 | 7.8 |
| WBAA9510 | 9.5"x10' All Alumn Walk Board (3.048M) | 120 | 3.07 | 19.4 | 8.8 |

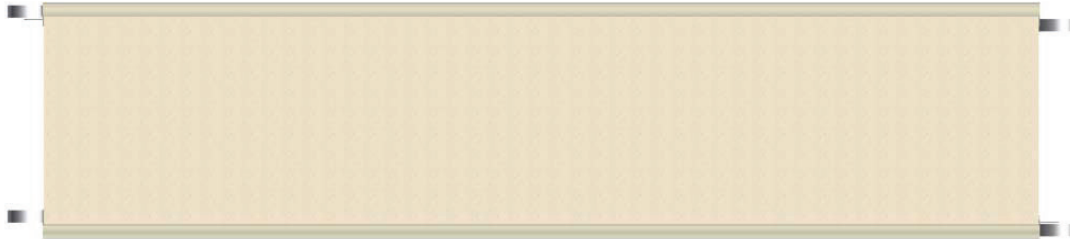
19" ALL ALUMINUM PLANK



| Product Code | Description | Effective Length | | Weight | |
|--------------|--------------------------------------|------------------|--------|--------|-------|
| | | Inches | Meters | Lb | Kg |
| WBAA192 | 19" x 2' All Aluminum Walk Board | 24 | 0.61 | | |
| WBAA1922 | 19" x 2'2" All Aluminum Walk Board | 26 | 0.65 | | |
| WBAA19211 | 19" x 2'-11" All Aluminum Walk Board | 35 | 0.88 | 15.1 | 6.85 |
| WBAA193 | 19" x 3' All Aluminum Walk Board | 36 | 0.91 | | |
| WBAA1936S | 19" x 3'-6" All Aluminum Walk Board | 42 | 1.07 | 17.3 | 7.85 |
| WBAA1939 | 19" x 3'-9" All Aluminum Walk Board | 45 | 1.15 | 18.1 | 8.2 |
| WBAA19310 | 19" x 3'-10" All Aluminum Walk Board | 46 | 1.17 | 18.5 | 8.39 |
| WBAA194 | 19" x 4' All Aluminum Walk Board | 48 | 1.22 | | |
| WBAA195 | 19" x 5' All Aluminum Walk Board | 60 | 1.52 | | |
| WBAA1952 | 19" x 5'-2" All Aluminum Walk Board | 62 | 1.57 | | |
| WBAA1955 | 19" x 5'-5" All Aluminum Walk Board | 65 | 1.65 | 24.3 | 11 |
| WBAA196 | 19" x 6' All Aluminum Walk Board | 72 | 1.83 | | |
| WBAA197 | 19" x 7' All Aluminum Walk Board | 84 | 2.13 | 28.9 | 13.1 |
| WBAA198 | 19" x 8' All Aluminum Walk Board | 96 | 2.44 | | |
| WBAA1986 | 19" x 8'-6" All Aluminum Walk Board | 101 | 2.57 | 35.9 | 16.28 |
| WBAA199 | 19" x 9' All Aluminum Walk Board | 108 | 2.74 | | |
| WBAA1910 | 19" x 10' All Aluminum Walk Board | 120 | 3.05 | 39.3 | 17.81 |

19" ALUMINUM PLYWOOD BOARD

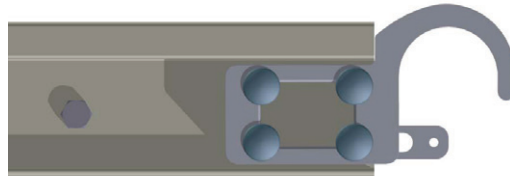
TOP VIEW



FRONT VIEW



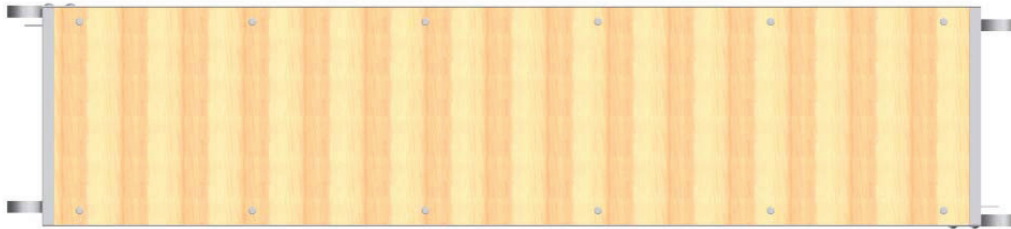
H1 Hook



| Product Code | Description | Effective Length | | Weight | |
|--------------|----------------------------------|------------------|--------|--------|------|
| | | Inches | Meters | Lb | Kg |
| WBAP1939H1 | 19"x3'-9" Aluminum Plywood Board | 45 | 1.14 | 19.3 | 8.8 |
| WBAP1952H1 | 19"x5'-2" Aluminum Plywood Board | 62 | 1.57 | 25.4 | 11.5 |
| WBAP197H1 | 19"x7' Aluminum Plywood Board | 84 | 2.13 | 33.5 | 15.2 |
| WBAP198H1 | 19"x8' Aluminum Plywood Board | 96 | 2.44 | 37.6 | 17.1 |
| WBAP1910H1 | 19"x10' Aluminum Plywood Board | 120 | 3.05 | 43.7 | 19.8 |

19" ALUMINUM PLYWOOD BOARD

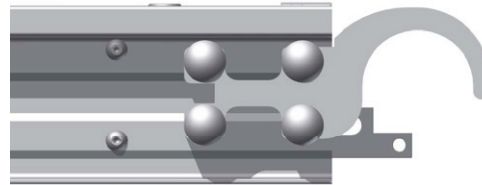
TOP VIEW



FRONT VIEW



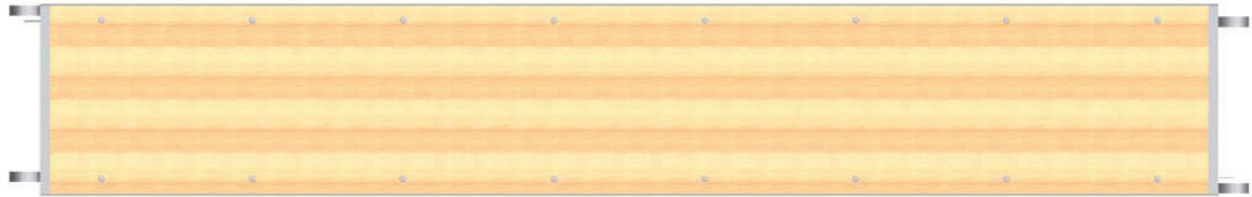
H2 Hook



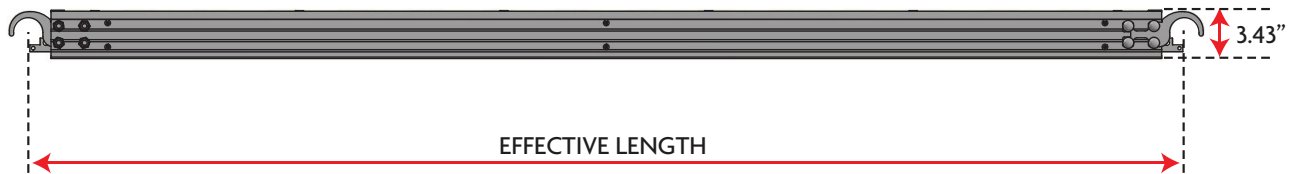
| Product Code | Description | Effective Length | | Weight | |
|--------------|---------------------------------------|------------------|--------|--------|------|
| | | Inches | Meters | Lb | Kg |
| WBAP1939H2 | 19"x3'-9" Aluminum Plywood Walk Board | 45 | 1.14 | 19.3 | 8.8 |
| WBAP1952H2 | 19"x5'-2" Aluminum Plywood Walk Board | 62 | 1.57 | 25.4 | 11.5 |
| WBAP197H2 | 19"x7' Aluminum Plywood Walk Board | 84 | 2.13 | 33.5 | 15.2 |
| WBAP198H2 | 19"x8' Aluminum Plywood Walk Board | 96 | 2.44 | 37.6 | 17.1 |
| WBAP1910H2 | 19"x10' Aluminum Plywood Walk Board | 120 | 3.05 | 43.7 | 19.8 |

19" WIDE ALUMINUM DEEP RAIL PLYWOOD BOARD

TOP VIEW



FRONT VIEW



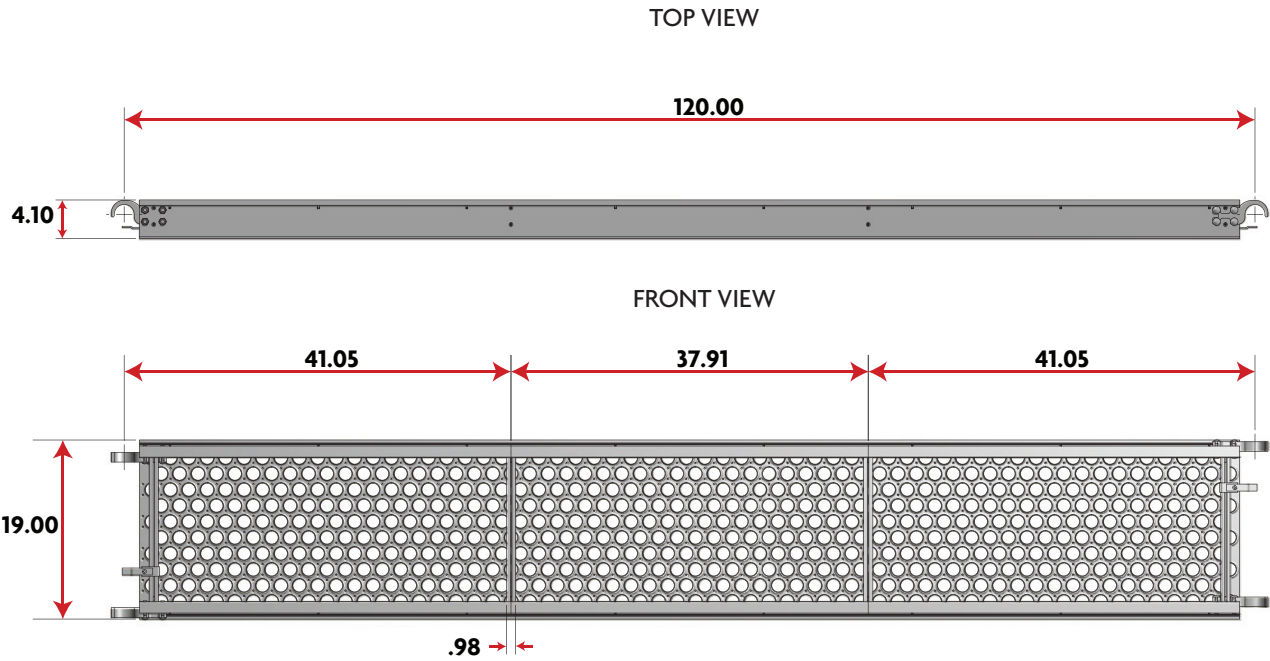
H2 - Standard Hook



H1 - Hook is Available Upon Request

| Product Code | Description | Effective Length | | Weight | |
|--------------|---|------------------|--------|--------|----|
| | | Inches | Meters | Lb | Kg |
| WBAP1910DRH2 | 19" Wide Aluminum Deep Rail Plywood Board | 120 | 3.05 | 51 | 23 |

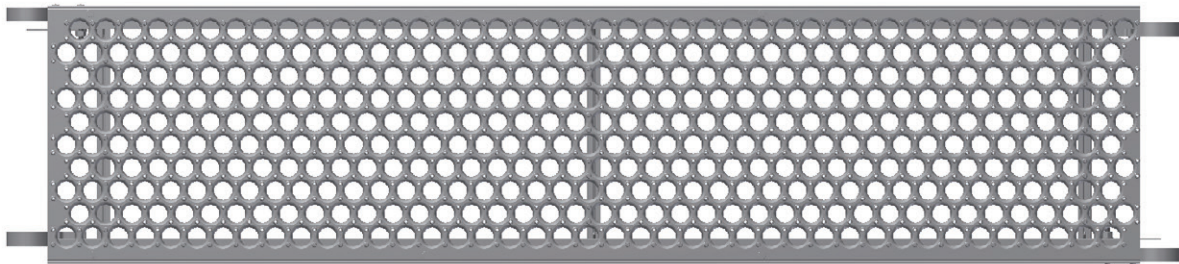
19" WIDE ALUMINUM DEEP RAIL STEEL TOP BOARD



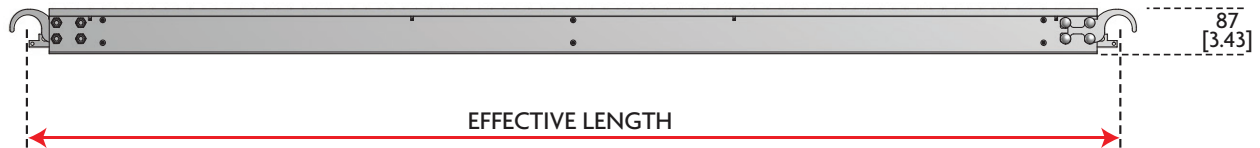
| Product Code | Description | Effective Length | | Weight | |
|---------------|---|------------------|--------|--------|------|
| | | Inches | Meters | Lb | Kg |
| WBAS1910DR-H2 | 19" Wide Aluminum Deep Rail Steel Top Board | 120 | 3.1 | 48.5 | 20.8 |

19" WIDE ALUMINUM FRAME STEEL DECK

TOP VIEW

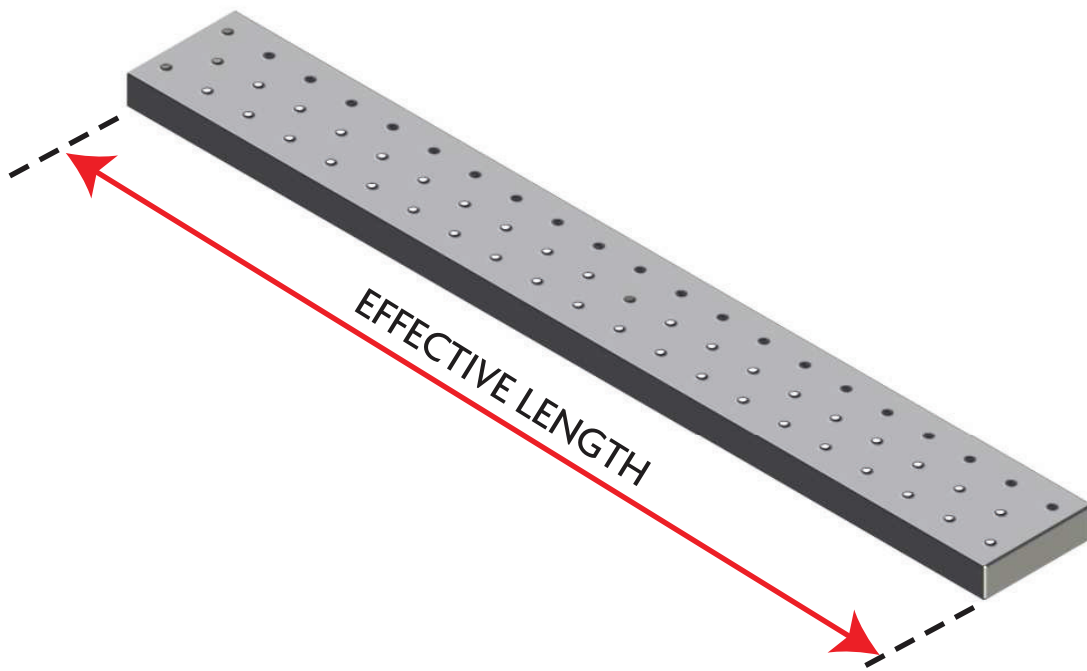


FRONT VIEW



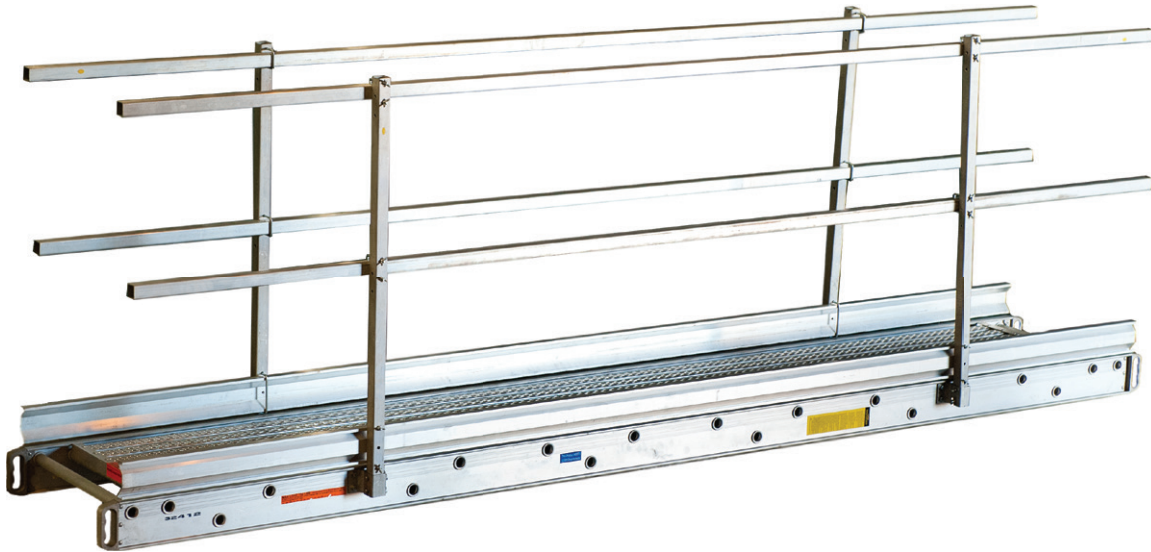
| Product Code | Description | Effective Length | | Weight | |
|--------------|----------------------|------------------|--------|--------|------|
| | | Inches | Meters | Lb | Kg |
| WBAS1939H2 | 19"x3'-9" Walk Board | 45 | 1.14 | 21.01 | 9.6 |
| WBAS1952H2 | 19"x5'-2" Walk Board | 62 | 1.57 | 26.1 | 11.9 |
| WBAS197H2 | 19"x7' Walk Board | 84 | 2.13 | 34.2 | 15.5 |
| WBAS1910H2 | 19"x10' Walk Board | 120 | 3.05 | 48.5 | 22 |

9" STEEL BATON BOARD



| Product Code | Description | Effective Length | | Weight | |
|--------------|----------------------------|------------------|--------|--------|------|
| | | Inches | Meters | Lb | Kg |
| WBBB24 | 2'-4" Baton Board Pre-Gal | 27.6 | 0.7 | 10 | 4.6 |
| WBBB28 | 2'-8" Baton Board Pre-Gal | 31.5 | 0.8 | 12.1 | 5.5 |
| WBBB311 | 3'-11" Baton Board Pre-Gal | 46.04 | 1.2 | 16 | 7.3 |
| WBBB511 | 5'-11" Baton Board Pre-Gal | 69.07 | 1.8 | 23.1 | 10.5 |
| WBBB711 | 7'-11" Baton Board Pre-Gal | 92.09 | 2.4 | 30.4 | 13.8 |
| WBBB910 | 9'-10" Baton Board Pre-Gal | 115.11 | 3 | 40.1 | 18.2 |

STAGE BOARDS



ALUMINUM PLANK - TWO MAN UNIT 500 L.B. DUTY RAILING

| Length (Ft.) | Rail Depth (In.) | 12" Wide | | 24" Wide | | 28" Wide | |
|--------------|------------------|----------|--------|----------|--------|----------|--------|
| | | Part # | Weight | Part # | Weight | Part # | Weight |
| 12 | 3.5 | PB21212 | 36 | PB22412 | 48 | PB22812 | 53 |
| 16 | 4.5 | PB21216 | 53 | PB22416 | 72 | PB22816 | 79 |
| 20 | 5.25 | PB21220 | 77 | PB22420 | 99 | PB22820 | 110 |
| 24 | 5.25 | PB21224 | 91 | PB22424 | 114 | PB22824 | 130 |
| 28 | 6 | - | - | PB22428 | 155 | PB22828 | 170 |
| 32 | 6 | - | - | PB22432 | 177 | PB22832 | 192 |
| 36 | 6.5 | - | - | PB22436 | 241 | PB22836 | 260 |
| 39 | 6.5 | - | - | PB22439 | 268 | PB22839 | 288 |

NOTE: Stage Boards do not come with guardrails. Please contact the DSS office for guardrail package information.



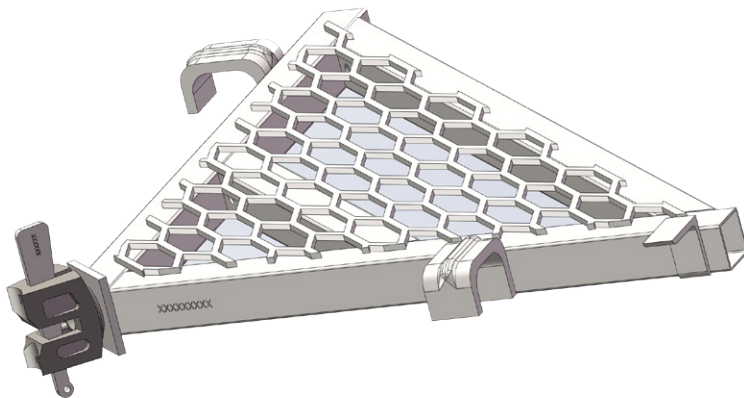
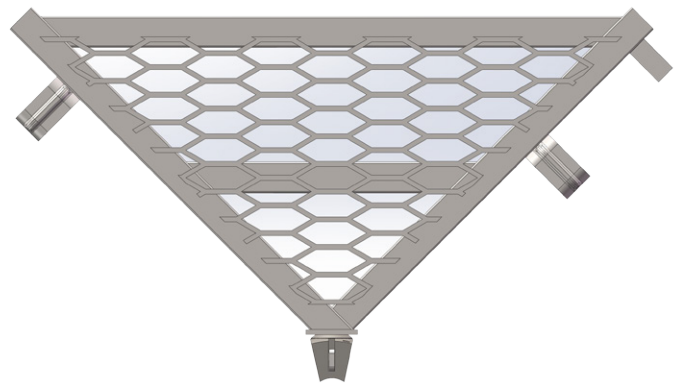
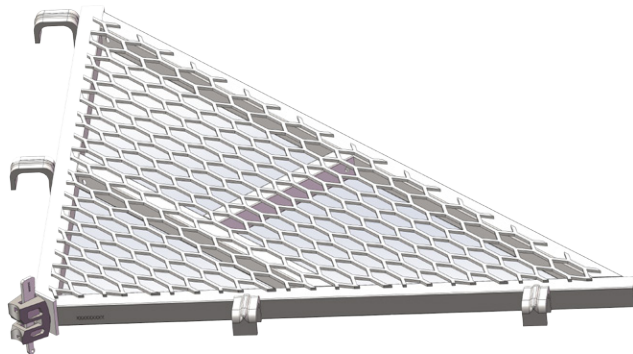
STAGE BOARDS

ALUMINUM PLANK - THREE MAN UNIT 750 L.B. DUTY RAILING

| Length (Ft.) | Rail Depth (In.) | 24" Wide | | 28" Wide | |
|--------------|------------------|----------|--------|----------|--------|
| | | Part # | Weight | Part # | Weight |
| 12 | 5.25 | PB32412 | 65 | PB32812 | 74 |
| 16 | 5.25 | PB32416 | 80 | PB32816 | 90 |
| 20 | 6 | PB32420 | 111 | PB32820 | 121 |
| 24 | 6 | PB32424 | 133 | PB32824 | 145 |
| 28 | 6.5 | PB32428 | 188 | PB32828 | 200 |
| 32 | 6.5 | PB32432 | 243 | PB32832 | 262 |
| 36 | 7 | PB32436 | 273 | PB32836 | 294 |
| 39 | 7 | PB32439 | 305 | PB32839 | 357 |

NOTE: Stage Boards do not come with guardrails. Please contact the DSS office for guardrail package information.

CORNER BRACKET WALKBOARD



| Product Code | Description | Effective Length | |
|--------------|--------------------------|------------------|--------|
| | | Inches | Meters |
| WBCB-RL22 | Ring Lock Corner Bracket | 26 | .65 |
| WBCB-RL39 | Ring Lock Corner Bracket | 45 | 1.15 |

28" HATCH PLANK W/ ALUMINUM LADDER



| Product Code | Description | Effective Length | | Weight | |
|-----------------|---|------------------|--------|--------|------|
| | | Inches | Meters | Lb | Kg |
| WBAPSH287TH-H2 | 28" x 7" Aluminum Plywood Hatch Plank w/ Aluminum Ladder | 84 | 2.13 | 72.8 | 33 |
| WBAPSH2810TH-H2 | 28" x 10" Aluminum Plywood Hatch Plank w/ Aluminum Ladder | 120 | 3.05 | 90.8 | 41.2 |

| Product Code | Description | Effective Length | | Weight | |
|-----------------|---|------------------|--------|--------|------|
| | | Inches | Meters | Lb | Kg |
| WBAASH287TH-H2 | 28" x 7" All Aluminum Hatch Plank w/ Aluminum Ladder | 84 | 2.13 | 82 | 37.2 |
| WBAASH2810TH-H2 | 28" x 10" All Aluminum Hatch Plank w/ Aluminum Ladder | 120 | 3.05 | 104.1 | 47.2 |