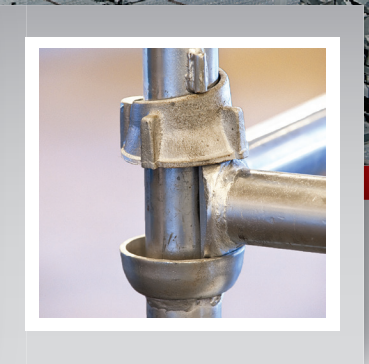
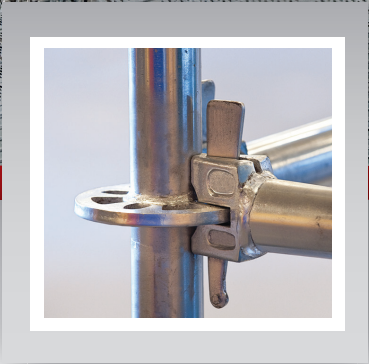
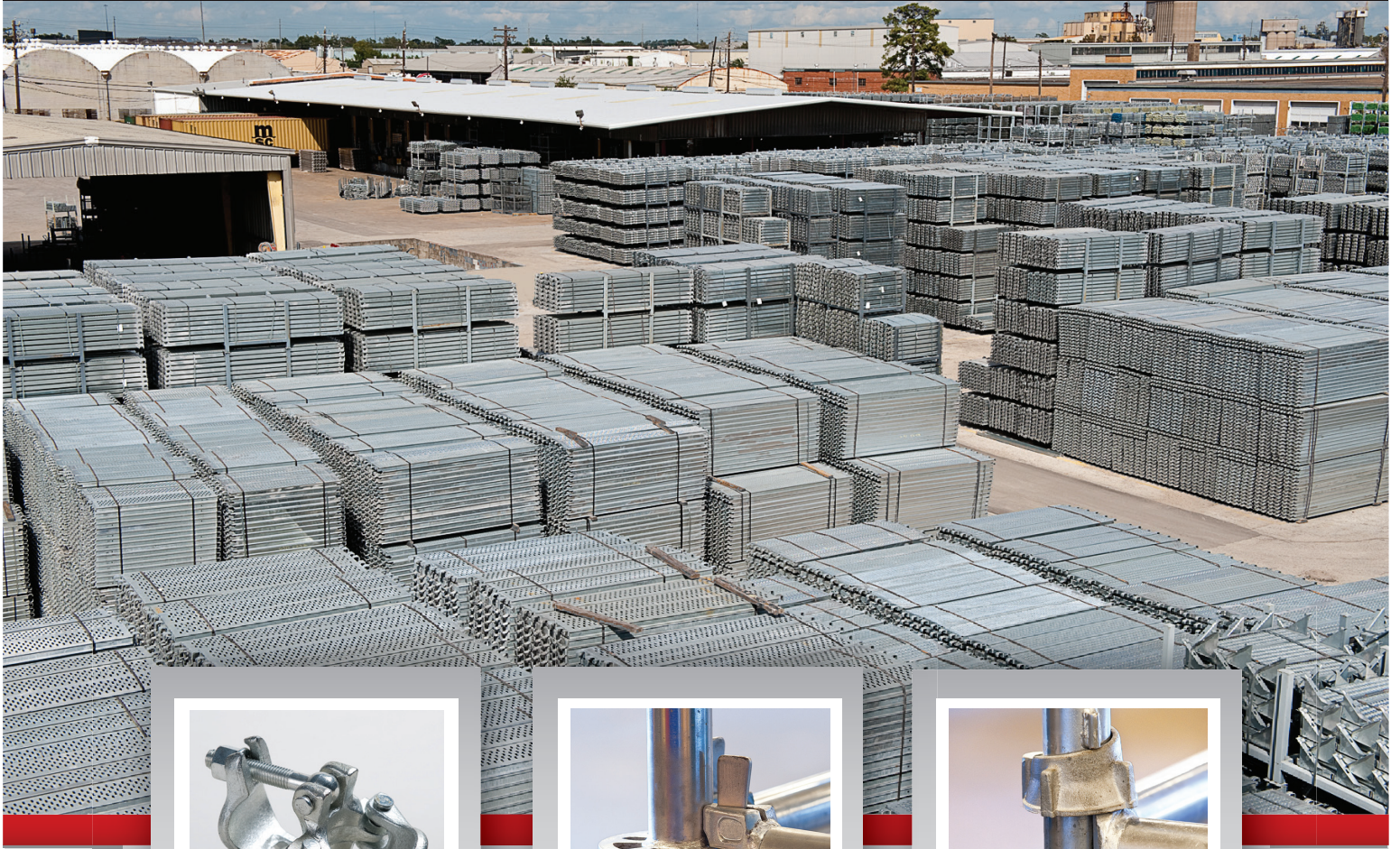


SYSTEM SCAFFOLD CATALOG



DSS 



INTRODUCTION

For decades, **Direct Scaffold Supply** has accommodated the special needs of the construction and petrochemical industries. Our commitment to industry-leading quality assurance, extensive employee training and factory certification are unmatched and our proprietary manufacturing and logistics programs ensure that you receive delivery of the safest most reliable scaffolding products wherever in the world you need them on time, every time. We are here to help you retain your competitive edge.

Quality Steel Means Quality Scaffolding

At **Direct Scaffold Supply** we are committed to quality in every step of the scaffold manufacturing process. All the steel we use comes with mill certifications, but we don't stop there. We use an independent lab to verify that all steel arriving in our factories meets or exceeds the appropriate BS EN, ASTM/ANSI specifications.

Our Commitment to Safety

We provide extensive classroom and on the job training for all members of our factory team. Our welding procedures were written by an independent professional engineer, and were qualified by testing at independent labs. We constantly qualify all of our welders to the AWS D1.1 standard.

Reliability

All of the products produced by **Direct Scaffold Supply** carry a warranty, and we also have full product liability insurance issued by US carriers. We know that your safety depends on our scaffolding, so we go above and beyond in our quality assurance programs to ensure that the scaffolding that you receive is the safest and most reliable available anywhere in the world. Our Ring Lock Scaffold System holds the Australia Registration, DITUC Certification in Chile and the Bureau Veritas Certification. Our Speed Ring Scaffold Systems holds the Bureau Veritas Certification. We are proud to have earned ISO9001:2008 certification for all of our manufacturing facilities. Most of our factories hold DIN BS EN1090 parts 1 & 2 (EXC 3) and EN ISO 3834 part 2.

Compatibility

We verified, through independent professional engineers, that all of our scaffolding products and accessories are compatible with other major US and European Manufacturers.

Value

Our diversified manufacturing base provides us with sufficient manufacturing capacity to meet your requirements. Plus it creates a distinct competitive advantage. We implement our industry leading quality assurance and control programs in all of our overseas factories, and combine those resources with the technical knowledge and experience of our US based technical and engineering services operations. This allows **Direct Scaffold Supply** to offer you a distinct cost advantage and creates significant value for our customers.

Quality by Design

At **Direct Scaffold Supply**, we take a common sense approach to good business. We start with quality people, manufacture quality products and work hard to establish and maintain quality relationships with our customers. We look forward to the privilege of working with you and the opportunity to demonstrate our commitment to quality manufacturing, business excellence and above all CUSTOMER SATISFACTION.

World Headquarters: 6059 South Loop East | Houston, TX 77087

Offices In: California | Maryland | Hong Kong | China | United Kingdom | Latin America | Canada

713-673-7701 Phone | 800-720-6629 Toll Free | www.dss.net



TABLE OF CONTENTS

PRODUCTS & INFORMATION	PAGE
INTRODUCTION	2
CUP SECTION	CL-1
TUBE SPECIFICATIONS	CL-2
VERTICALS	CL-3
HORIZONTALS.....	CL-4
TRUSSES	CL-5
CLAMP BRACES.....	CL-6
FACE BRACES	CL-7
BOARD BRACKET	CL-8
CASTER ADAPTER	CL-9
DECK ADAPTER.....	CL-10
CALIFORNIA GUARDRAIL.....	CL-11
GUARDRAIL POST	CL-12
SUPPORT SPIGOT CLAMP	CL-13
ALUMINUM STAIR STRINGERS	CL-14
STAIR TREADS	CL-15
INTERMEDIATE TRANSOM	CL-16
RING LOCK SECTION.....	RL-1
TUBE SPECIFICATIONS	RL-2
VERTICALS	RL-3
LEDGERS	RL-4
LEDGERS - CONT.	RL-5
DOUBLE LEDGERS	RL-6
LATTICE GIRDER	RL-7
BOARD BRACKET	RL-8
STARTER COLLAR.....	RL-9
VERTICAL DIAGONAL	RL-10
VERTICAL DIAGONAL.....	RL-11
GUARDRAIL POSTS.....	RL-12
SUSPENDED CONNECTOR	RL-13
SUPPORT SPIGOT CLAMPS	RL-14
STAIR STRINGERS AND STEPS	RL-15
STAIR STRINGERS AND STEPS	RL-16
RING LOCK CASTER ADAPTER.....	RL-17
INTERMEDIATE TRANSOM	RL-18

World Headquarters: 6059 South Loop East | Houston, TX 77087

Offices In: California | Maryland | Hong Kong | China | United Kingdom | Latin America | Canada



TABLE OF CONTENTS - CONT.

PRODUCTS & INFORMATION	PAGE
SPEED RING SECTION.....	SR-1
TUBE SPECIFICATIONS	SR-2
VERTICALS	SR-3
HORIZONTALS.....	SR-4
DOUBLE LEDGER.....	SR-6
LATTICE GIRDER	SR-7
BASE COLLAR	SR-8
DIAGONAL.....	SR-9
CASTER OUTRIGGER.....	SR-10
BOARD BRACKET	SR-11
BASE JACK HOLDER	SR-12
ACCESSORIES SECTION.....	AC-1
SYSTEM JACK WITH BASE PLATE.....	AC-2
SWIVEL SYSTEM JACK	AC-3
UNIVERSAL SYSTEM SPIGOT.....	AC-4
PINS.....	AC-5
GATES	AC-6
GATE ADAPTERS	AC-7
UNIVERSAL TOE BOARD.....	AC-8
DAVIT ARMS	AC-9
BASKETS	AC-10
RACK/BASKET SHOES & CASTERS.....	AC-11
CASTERS	AC-12
PLATE CASTERS	AC-13
U-JACK.....	AC-14
SCAFFOLD TAGS	AC-15
SCAFFOLD TAGS	AC-16

World Headquarters: 6059 South Loop East | Houston, TX 77087

Offices In: California | Maryland | Hong Kong | China | United Kingdom | Latin America | Canada



TABLE OF CONTENTS - CONT.

<u>PRODUCTS & INFORMATION</u>	<u>PAGE</u>
TUBE & CLAMP SECTION	CP-1
TWIST LOCK TUBE.....	CP-2
PLAIN END STEEL TUBE.....	CP-3
RIGID BASE PLATE.....	CP-4
OPEN END ALUMINUM TUBE.....	CP-5
I-BOLT CLAMPS.....	CP-6
WIDE BODY CLAMPS.....	CP-7
BEAM CLAMP.....	CP-8
T BOLT CLAMPS.....	CP-9
WEDGE CLAMPS.....	CP-10
RING SYSTEM ACCESSORY CLAMPS.....	CP-11
TUBE COUPLERS.....	CP-12
LADDERS SECTION	LD-1
17" WIDE LADDER & BRACKET.....	LD-2
17" WIDE NON-SLIP LADDER & BRACKET.....	LD-3
HEAVY DUTY STEEL LADDER & BRACKET.....	LD-4
LADDER RING TYPE.....	LD-5
SAU CHANNEL STYLE LADDER.....	LD-6
CAGE RINGS.....	LD-7
BOILER SYSTEM SECTION	BS-1
THROAT HEADER.....	BS-2
FRAMES & FRAME STARTER.....	BS-3
BASE BEAM.....	BS-4
SADDLE BRACE.....	BS-5



TABLE OF CONTENTS - CONT.

VEE CHAIR BS-6

PRODUCTS & INFORMATION PAGE

WALK BOARD SECTION.....WB-1

9" STEEL PLANK.....WB-2

9" LOW PROFILE STEEL PLANKWB-3

9" LOW PROFILE STEEL PLANKWB-4

9-1/2" LOW PROFILE STEEL PLANKWB-5

12-1/2" STEEL PLANKWB-6

7-9/16" FILLER STEEL PLANKWB-7

9.5" ALL ALUMINUM WALK BOARDWB-8

19" ALL ALUMINUM PLANK.....WB-9

19" ALUMINUM PLYWOOD BOARD.....WB-10

19" ALUMINUM PLYWOOD BOARD.....WB-11

19" WIDE ALUMINUM DEEP RAIL PLYWOOD BOARDWB-12

19" WIDE ALUMINUM DEEP RAIL STEEL TOP BOARD.....WB-13

19" WIDE ALUMINUM FRAME STEEL DECKWB-14

9" STEEL BATON BOARDWB-15

CATWALK GRATINGWB-16

CATWALK GRATING CLIPSWB-17

STAGE BOARDS.....WB-18

STAGE BOARDS.....WB-19

CORNER BRACKET WALKBOARDWB-20

28" HATCH PLANK W/ ALUMINUM LADDERWB-21



SYSTEM SCAFFOLD CATALOG
DSSCAT
UPDATED: 07/18/2019



CUP LOCK SECTION

World Headquarters: 6059 South Loop East | Houston, TX 77087

Offices In: California | Maryland | Hong Kong | China | United Kingdom | Latin America | Canada

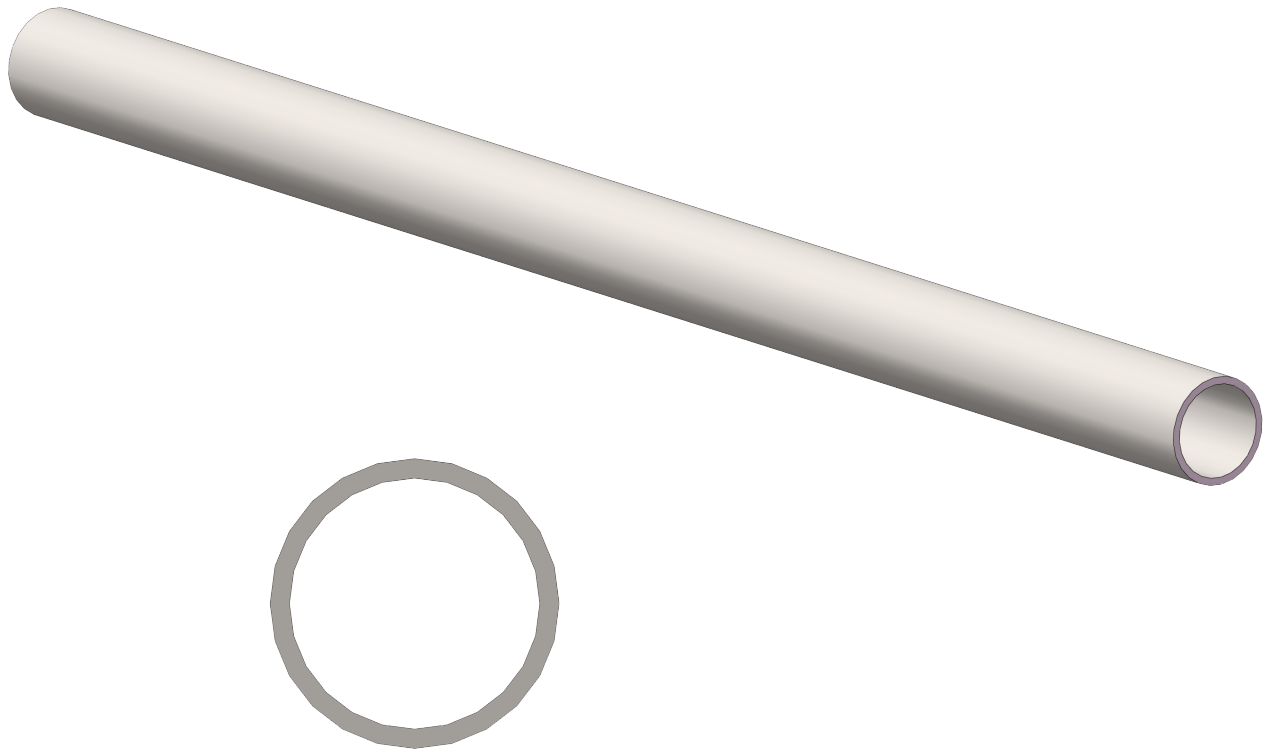
Copyright 2019

713-673-7701 Phone | 800-720-6629 Toll Free | www.dss.net

[CLICK TO RETURN TO
TABLE OF CONTENTS](#)

CL-1

TUBE SPECIFICATIONS



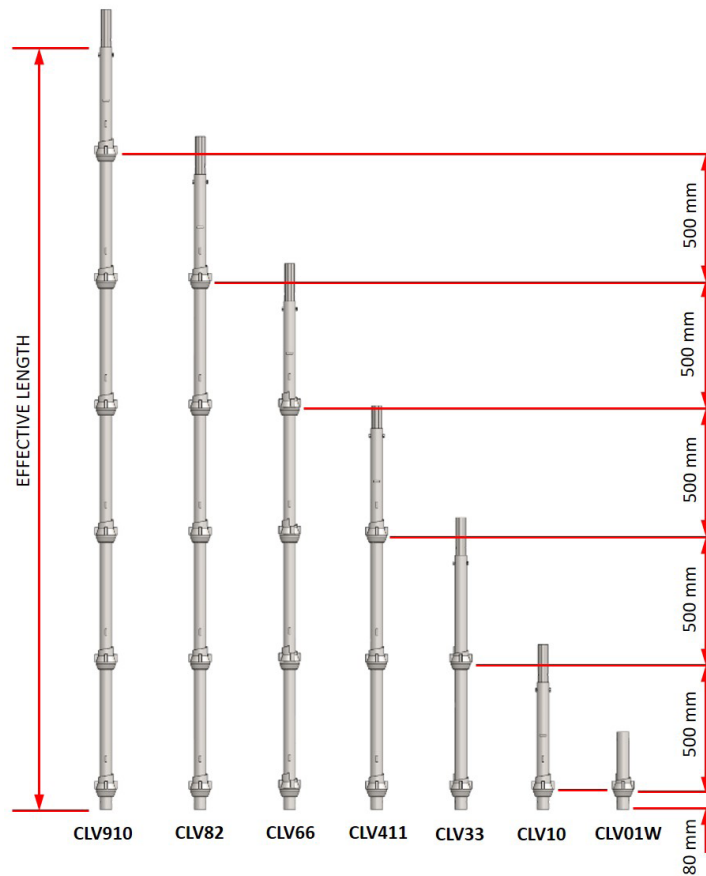
	Diameter		Thickness		Minimum Tensile		Minimum Yield	
	In	mm	In	mm	Mpa	ksi	Mpa	ksi
CLV	1.9	48.3	0.13	3.25	517	75,000	414	60,000
CLH	1.9	48.3	0.13	3.25	517	75,000	414	60,000
CLFB	1.9	48.3	0.098	2.5	483	70,000	345	50,000
CLCB	1.9	48.3	0.098	2.5	483	70,000	345	50,000

NOTE: Minimum Elongation at 2in/50.8mm is 20%

World Headquarters: 6059 South Loop East | Houston, TX 77087

Offices In: California | Maryland | Hong Kong | China | United Kingdom | Latin America | Canada

VERTICALS

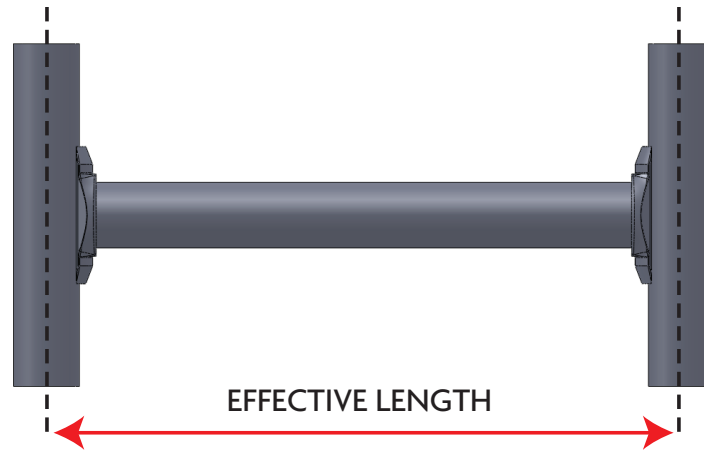


Product Code	Description	Effective Length		Weight	
		Inches	Meters	Lb	Kg
CLV01W	1 Cup Vertical without Spigot	12.00	0.30	4.1	1.9
CLV10	1 Cup Vertical	19.69	0.50	9.6	3.5
CLV33	2 Cup Vertical	39.37	1.00	13.6	6.2
CLV411	3 Cup Vertical	59.06	1.50	19.1	8.7
CLV66	4 Cup Vertical	78.74	2.00	25	11.4
CLV82	5 Cup Vertical	98.43	2.50	31.4	14.2
CLV910	6 Cup Vertical	118.11	3.00	36.4	16.5

World Headquarters: 6059 South Loop East | Houston, TX 77087

Offices In: California | Maryland | Hong Kong | China | United Kingdom | Latin America | Canada

HORIZONTALS



Imperial Sizes						Metric Sizes					
Product Code	Description	Bay Length		Weight		Product Code	Description	Bay Length		Weight	
		Inches	Meters	Lb	Kg			Meters	Lb	Kg	
CLH110	1'-10" Cup Lock Horiz.	22	0.560	5.3	2.4	CLH110	1'-10" Cup Lock Horiz.	0.560	5.3	2.4	
CLH27	2'-7" Cup Lock Horiz.	31	0.788	7.1	3.2	CLH27	2'-7" Cup Lock Horiz.	0.788	7.1	3.2	
CLH30	3' Cup Lock Horiz.	36	0.914	7.9	3.6	CLH211	2'-11" Cup Lock Horiz.	0.90	8.2	3.7	
CLH36	3'-6" Cup Lock Horiz.	42	1.067	9.5	4.3	CLH36	3'-6" Cup Lock Horiz.	1.067	9.5	4.3	
CLH40	4' Cup Lock Horiz.	48	1.219	10.6	4.8	CLH41	4'-1" Cup Lock Horiz.	1.250	10.8	4.9	
CLH50	5' Cup Lock Horiz.	60	1.524	13.2	6.0	CLH43*	4'-3" Cup Lock Horiz.	1.300	11.7	5.3	
CLH60	6' Cup Lock Horiz.	72	1.829	15.4	7.0	CLH411	4'-11" Cup Lock Horiz.	1.500	12.8	5.8	
CLH70	7' Cup Lock Horiz.	84	2.134	17.9	8.1	CLH511	5'-11" Cup Lock Horiz.	1.800	15.2	6.9	
CLH80	8' Cup Lock Horiz.	96	2.438	20.5	9.3	CLH70	7' Cup Lock Horiz.	2.134	17.9	8.1	
CLH90	9' Cup Lock Horiz.	108	2.743	23.1	10.5	CLH82	8'-2" Cup Lock Horiz.	2.500	21.2	9.6	
CLH100	10' Cup Lock Horiz.	120	3.048	25.4	11.5	CLH100	10' Cup Lock Horiz.	3.048	25.4	11.5	

*Item not stocked

World Headquarters: 6059 South Loop East | Houston, TX 77087

Offices In: California | Maryland | Hong Kong | China | United Kingdom | Latin America | Canada

TRUSSES



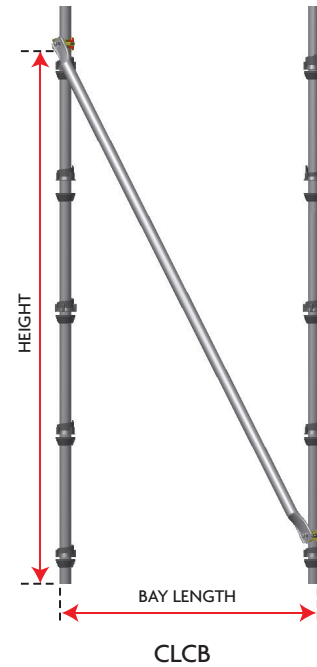
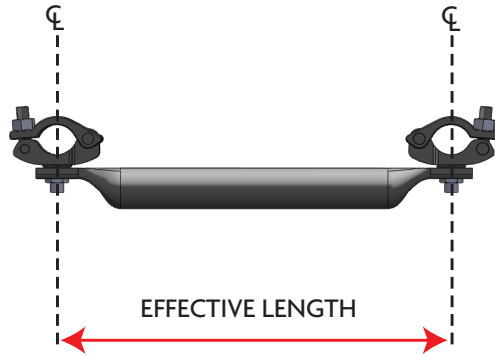
Product Code	Description	Effective Length		Weight	
		Inches	Meters	Lb	Kg
CLTB70	7' Cup Lock Truss	84	2.13	35.3	16.0
CLTB80	8' Cup Lock Truss	96	2.44	53.8	24.4
CLTB82*	8'-2" Cup Lock Truss	98	2.50	57.8	26.2
CLTB90	9' Cup Lock Truss	108	2.74	61.1	27.7
CLTB100	10' Cup Lock Truss	120	3.05	68.8	31.2
CLTB120	12' Cup Lock Truss	144	3.66	82.7	37.5
CLTB140	14' Cup Lock Truss	168	4.27	95.0	43.1
CLTB160	16' Cup Lock Truss	192	4.88	109.1	49.5
CLTB180	18' Cup Lock Truss	216	5.49	125.0	56.7
CLTB200	20' Cup Lock Truss	240	6.10	136.9	62.1
CLTB210	21' Cup Lock Truss	252	6.40	140.7	63.8

*Item not stocked

World Headquarters: 6059 South Loop East | Houston, TX 77087

Offices In: California | Maryland | Hong Kong | China | United Kingdom | Latin America | Canada

CLAMP BRACES



Product Code	Description	Bay Length		Effective Length		Weight	
		Inches	Meters	Inches	Meters	Lb	Kg
CLCB30*	3' Clamp Brace Swivel	36	0.914	86.59	2.199	18.08	8.2
CLCB40*	4' Clamp Brace Swivel	48	1.219	92.23	2.343	18.74	8.5
CLCB50	5' Clamp Brace Swivel	60	1.524	99.00	2.515	19.18	8.7
CLCB60*	6' Clamp Brace Swivel	72	1.829	106.70	2.710	22.05	10.0
CLCB70	7' Clamp Brace Swivel	84	2.134	115.14	2.925	23.93	10.4
CLCB80	8' Clamp Brace Swivel	96	2.438	124.16	3.154	25.81	10.8
CLCB82	8'-2" Clamp Brace Swivel	98	2.500	126.05	3.202	25.79	11.7
CLCB86	8'-6" Clamp Brace Swivel	101	2.570	128.27	3.258	26.23	11.9
CLCB90	9' Clamp Brace Swivel	108	2.743	133.66	3.395	26.68	12.1
CLCB100	10' Clamp Brace Swivel	120	3.048	143.53	3.646	28.22	12.8

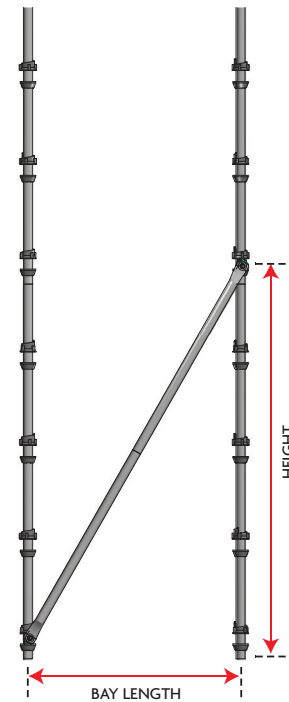
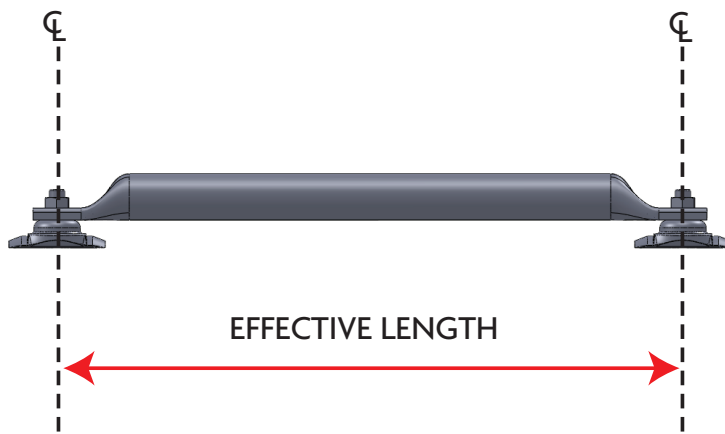
*Item not stocked

Note: Braces are designed with a 2 meter (6'6") vertical drop across the bay.

World Headquarters: 6059 South Loop East | Houston, TX 77087

Offices In: California | Maryland | Hong Kong | China | United Kingdom | Latin America | Canada

FACE BRACES



Product Code	Description	Effective Length		Weight	
		Inches	Meters	Lb	Kg
CLFB40*	4' Face Brace Swivel	92.23	2.343	16.98	7.7
CLFB50*	5' Face Brace Swivel	98.94	2.515	17.86	8.1
CLFB511*	5'-11" Face Brace Swivel	105.93	2.691	20.39	9.3
CLFB70	7' Face Brace Swivel	115.14	2.925	22.62	10.3
CLFB80	8' Face Brace Swivel	124.16	3.154	23.26	10.6
CLFB82	8'-2" Face Brace Swivel	126.05	3.202	23.32	10.6
CLFB90*	9' Face Brace Swivel	133.66	3.395	24.69	11.2
CLFB100	10' Face Brace Swivel	143.53	3.646	26.32	11.9

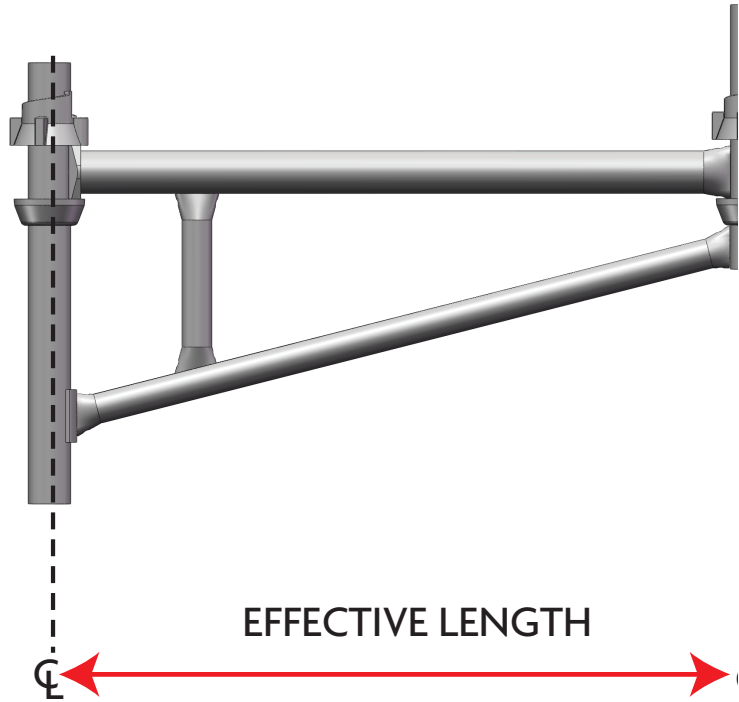
Note: The Face brace is designed with an intended 2 meter (6'6") vertical drop.

*Item not stocked

World Headquarters: 6059 South Loop East | Houston, TX 77087

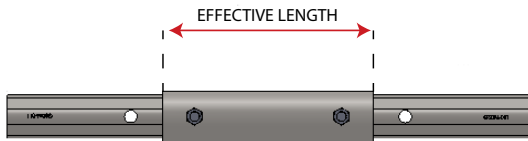
Offices In: California | Maryland | Hong Kong | China | United Kingdom | Latin America | Canada

BOARD BRACKET



EFFECTIVE LENGTH

CLBB27 & CLBB110



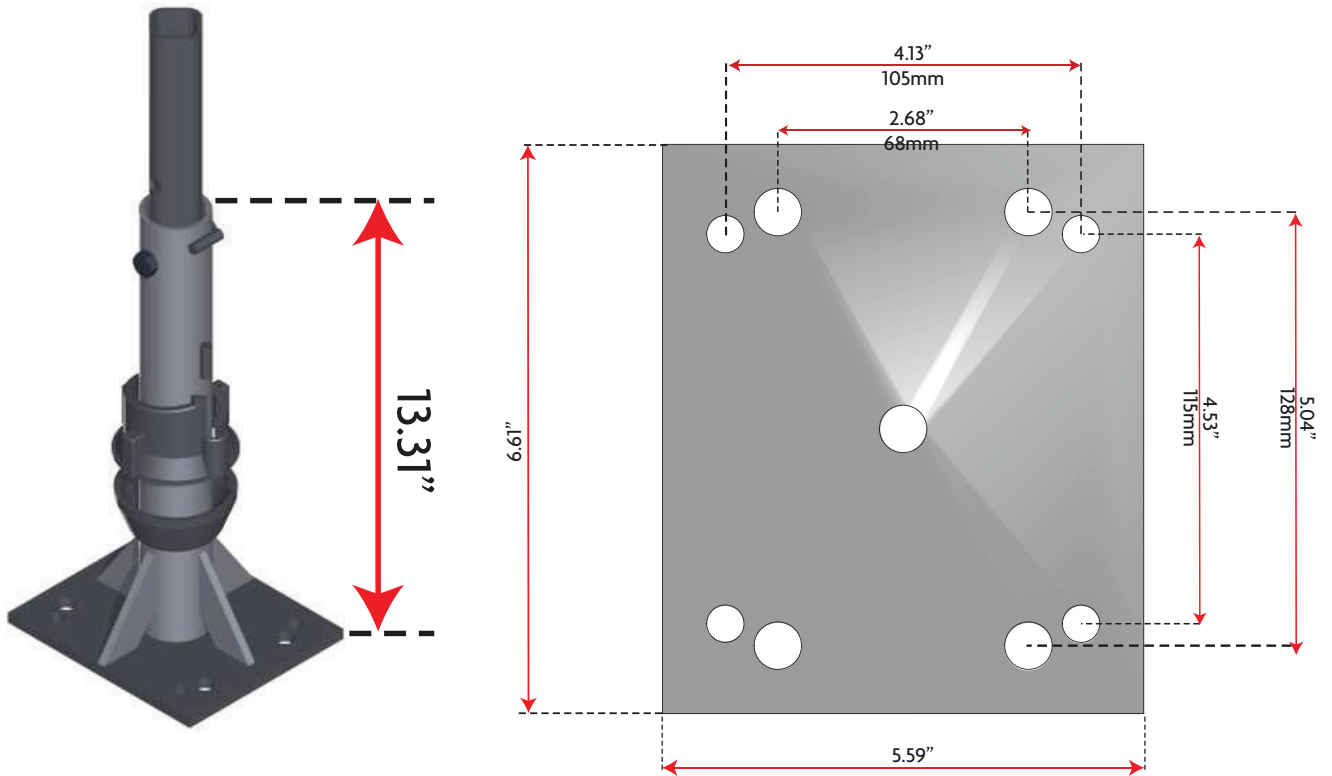
CLEA17

Product Code	Description	Effective Length		Weight	
		Inches	Meters	Lb	Kg
CLBB10	1' Board Bracket	11.4	0.290	3.31	1.5
CLBB110	2' Board Bracket	22.2	0.565	11.99	5.4
CLBB27	3' Board Bracket	31.3	0.795	14.95	6.8
CLEA17	Cup Lock Ext. Adapter	7.87	0.200	4.48	2.0

World Headquarters: 6059 South Loop East | Houston, TX 77087

Offices In: California | Maryland | Hong Kong | China | United Kingdom | Latin America | Canada

CASTER ADAPTER



Product Code	Description	Weight	
		Lb	Kg
CLCA	Caster Adapter	9.6	4.4

World Headquarters: 6059 South Loop East | Houston, TX 77087

Offices In: California | Maryland | Hong Kong | China | United Kingdom | Latin America | Canada

713-673-7701 Phone | 800-720-6629 Toll Free | www.dss.net

[CLICK TO RETURN TO TABLE OF CONTENTS](#)

DECK ADAPTER

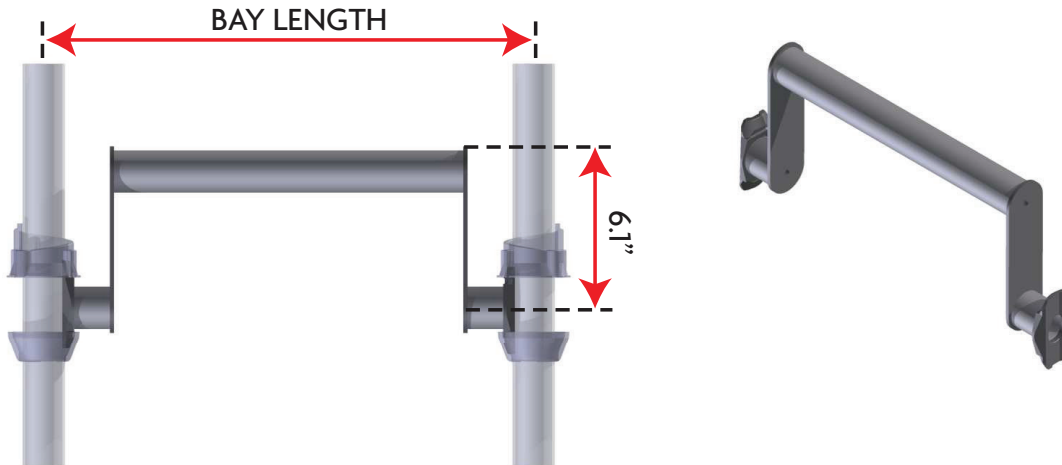


Product Code	Description	Weight	
		Lb	Kg
CLDA	25" Deck Adapter	10.8	4.9

World Headquarters: 6059 South Loop East | Houston, TX 77087

Offices In: California | Maryland | Hong Kong | China | United Kingdom | Latin America | Canada

CALIFORNIA GUARDRAIL



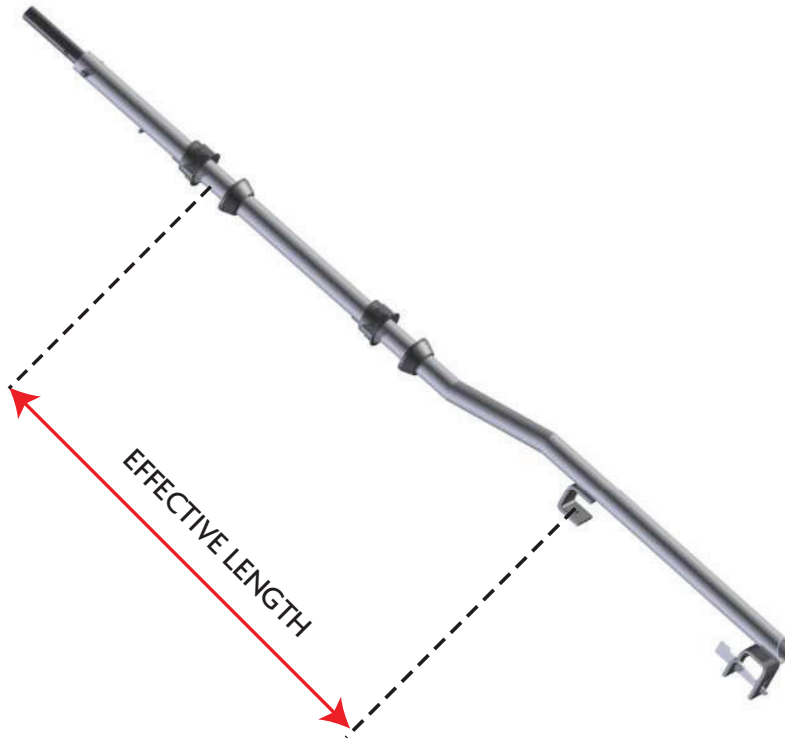
Product Code	Description	Bay Length		Weight	
		Inches	Meters	Lb	Kg
CLGR110	1'-10" California Guardrail	22	0.560	7.2	3.3
CLGR27	2'-7" California Guardrail	31	0.788	9.0	4.1
CLGR30	3' California Guardrail	36	0.914	9.5	4.3
CLGR40	4' California Guardrail	48	1.219	12.5	5.7
CLGR50	5' California Guardrail	60	1.524	14.4	6.6
CLGR60	6' California Guardrail	72	1.829	17.1	7.8
CLGR70	7' California Guardrail	84	2.134	19.8	9.0
CLGR80	8 California Guardrail	96	2.438	22.3	10.1
CLGR90	9' California Guardrail	108	2.743	24.4	11.1
CLGR100	10' California Guardrail	120	3.048	27.2	12.3

*Item not stocked

World Headquarters: 6059 South Loop East | Houston, TX 77087

Offices In: California | Maryland | Hong Kong | China | United Kingdom | Latin America | Canada

GUARDRAIL POST



Product Code	Description	Weight	
		Lb	Kg
CLGRP	Cup Lock Guardrail Post	23.6	10.7

World Headquarters: 6059 South Loop East | Houston, TX 77087

Offices In: California | Maryland | Hong Kong | China | United Kingdom | Latin America | Canada

713-673-7701 Phone | 800-720-6629 Toll Free | www.dss.net

[CLICK TO RETURN TO TABLE OF CONTENTS](#)

SUPPORT SPIGOT CLAMP

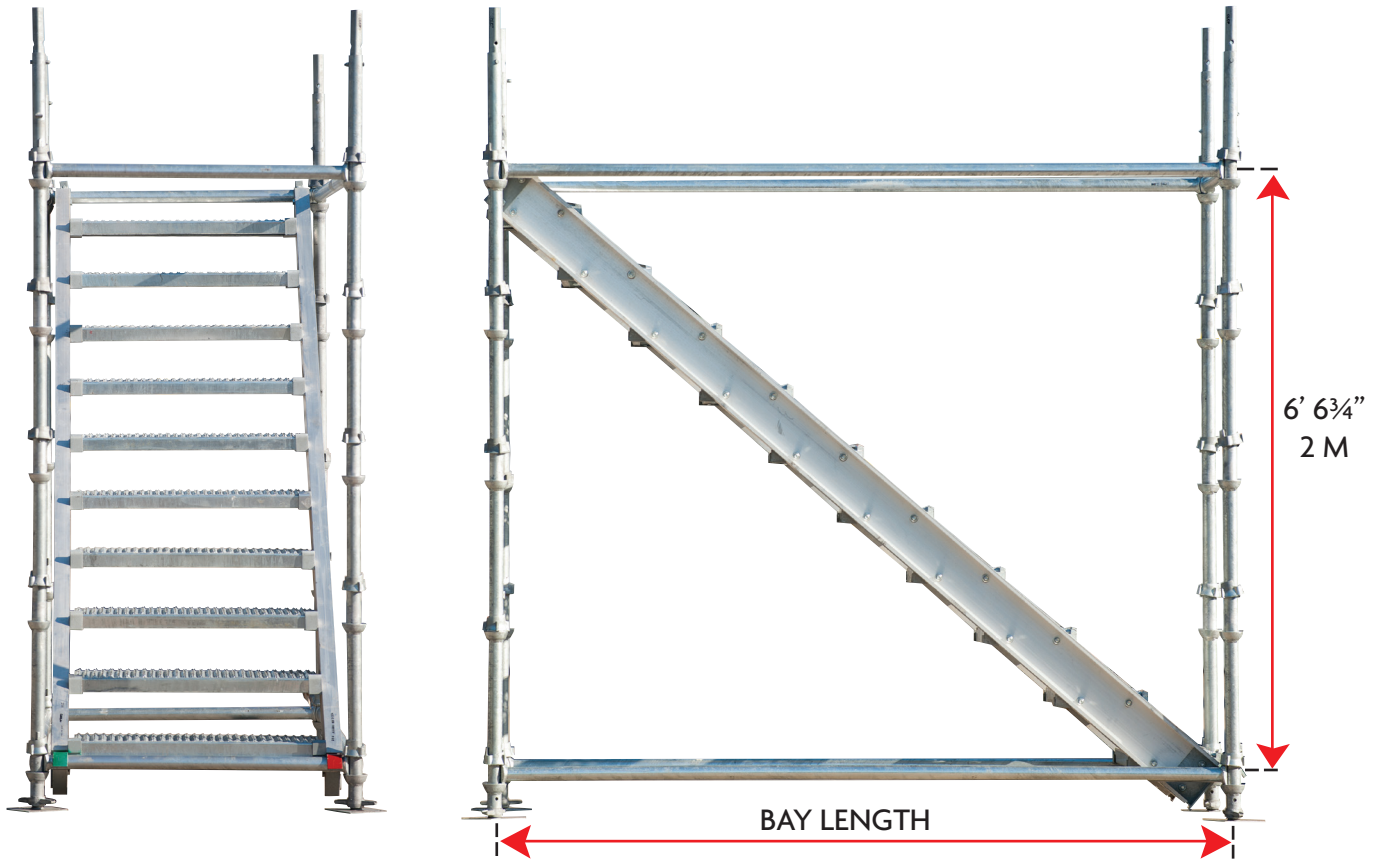


Product Code	Description	Weight	
		Lb	Kg
CLSS	Cup Lock Support Spigot	6.8	3.1

World Headquarters: 6059 South Loop East | Houston, TX 77087

Offices In: California | Maryland | Hong Kong | China | United Kingdom | Latin America | Canada

ALUMINUM STAIR STRINGERS

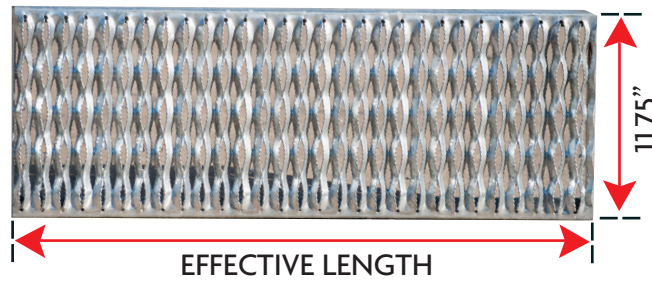
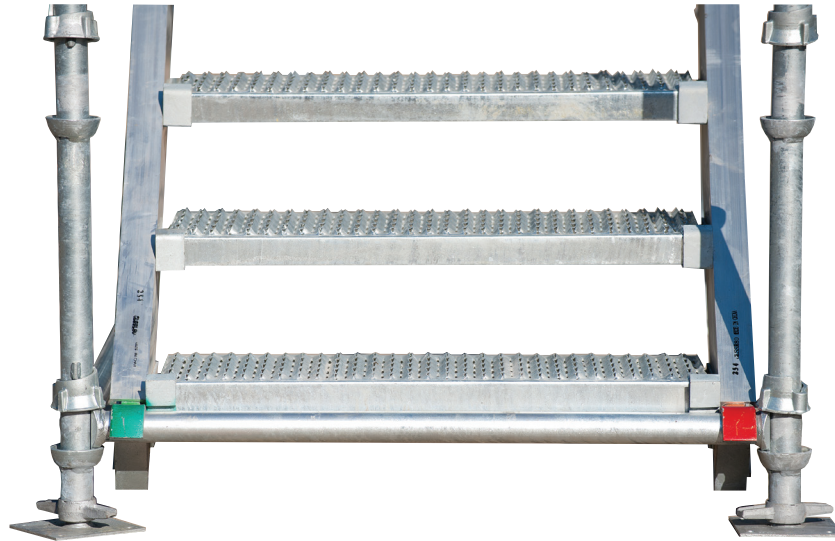


Product Code	Description	Bay Length		Height		Weight	
		Inches	Meters	Inches	Meters	Lb	Kg
CLSSL70	Cup Lock 7' Str Stringer Aluminum	84	2.1	6'-6"	2	58	26.3
CLSSR70	Cup Lock 7' Str Stringer Aluminum	84	2.1	6'-6"	2	58	26.3
CLSSL80	Cup Lock 8' Str Stringer Aluminum	96	2.4	6'-6"	2	67	30.4
CLSSR80	Cup Lock 8' Str Stringer Aluminum	96	2.4	6'-6"	2	67	30.4
CLSSL82	Cup Lock 8'-2" Str Stringer Aluminum	98	2.5	6'-6"	2	68	30.7
CLSSR82	Cup Lock 8'-2" Str Stringer Aluminum	98	2.5	6'-6"	2	68	30.7

World Headquarters: 6059 South Loop East | Houston, TX 77087

Offices In: California | Maryland | Hong Kong | China | United Kingdom | Latin America | Canada

STAIR TREADS

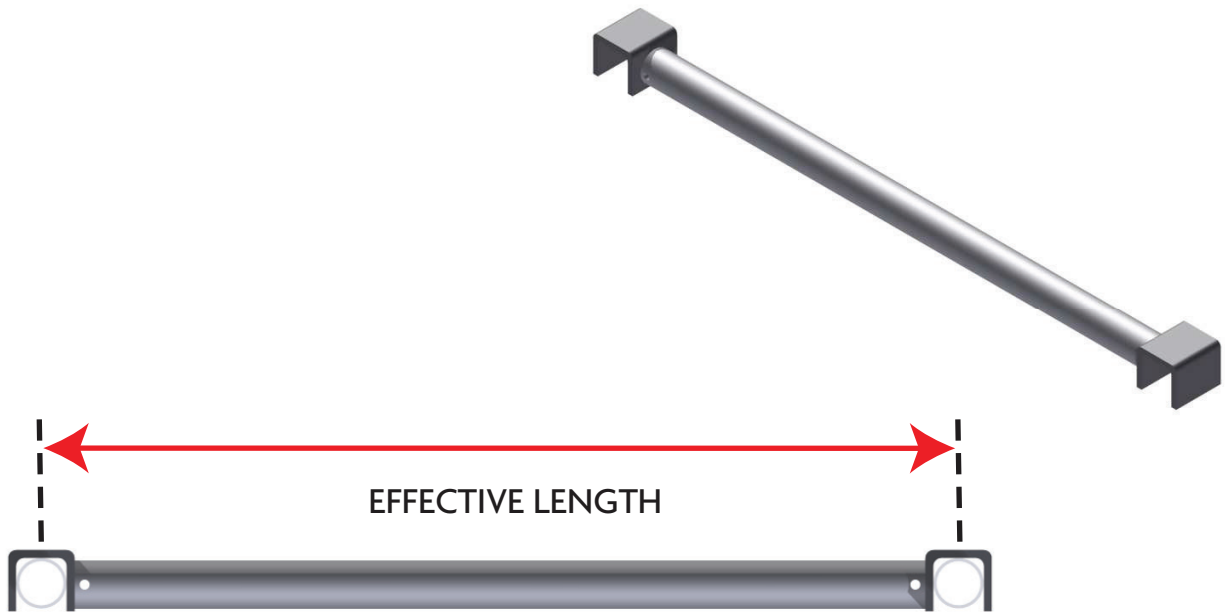


Product Code	Description	Effective Length		Weight	
		Inches	Meters	Lb	Kg
CLST36	3'-6" Stair Tread	33.0	0.84	13.5	6.14
CLST40	4' Stair Tread	39.4	1.00	15.9	7.2

World Headquarters: 6059 South Loop East | Houston, TX 77087

Offices In: California | Maryland | Hong Kong | China | United Kingdom | Latin America | Canada

INTERMEDIATE TRANSOM



Product Code	Description	Bay Length		Weight	
		Inches	Meters	Lb	Kg
CLTI27*	2'-7" Intermediate Transom	31	.0788	0.0	
CLTI30	3' Intermediate Transom	36	0.914	10.5	4.75
CLTI36*	3'-6" Intermediate Transom	42	1.067	0.0	
CLTI40	4' Intermediate Transom	48	1.219	12.7	5.8
CLTI43*	4'-3" Intermediate Transom	51	1.300	0.0	
CLTI50*	5' Intermediate Transom	60	1.524	0.0	
CLTI70*	7' Intermediate Transom	84	2.134	0.0	
CLTI80	8' Intermediate Transom	96	2.438	16.5	7.5
CLTI82*	8'-2" Intermediate Transom	98	2.500	0.0	
CLTI100*	10' Intermediate Transom	120	3.048	0.0	

*Items not stocked until ordered

World Headquarters: 6059 South Loop East | Houston, TX 77087

Offices In: California | Maryland | Hong Kong | China | United Kingdom | Latin America | Canada



SYSTEM SCAFFOLD CATALOG
DSSCAT
UPDATED: 07/18/2019

SYSTEM SCAFFOLD CATALOG



RING LOCK SECTION

World Headquarters: 6059 South Loop East | Houston, TX 77087

Offices In: California | Maryland | Hong Kong | China | United Kingdom | Latin America | Canada

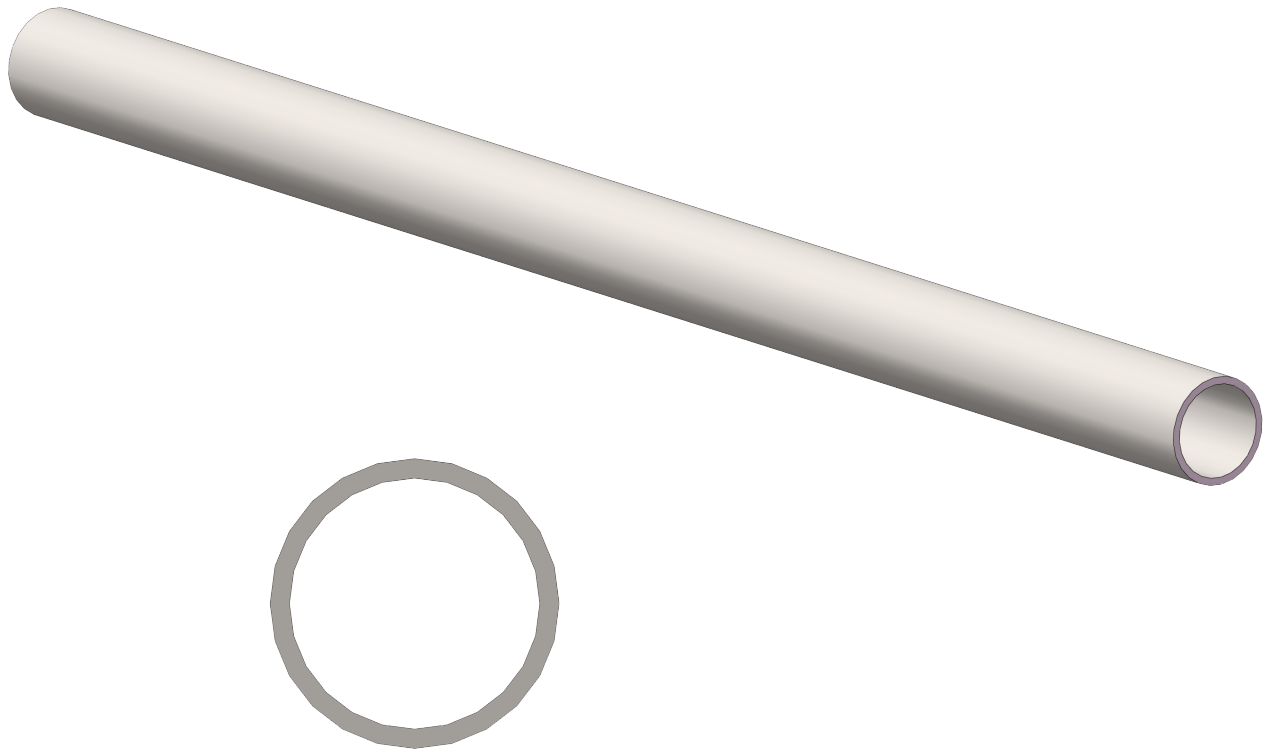
Copyright 2019

713-673-7701 Phone | 800-720-6629 Toll Free | www.dss.net

[CLICK TO RETURN TO
TABLE OF CONTENTS](#)

RL-1

TUBE SPECIFICATIONS



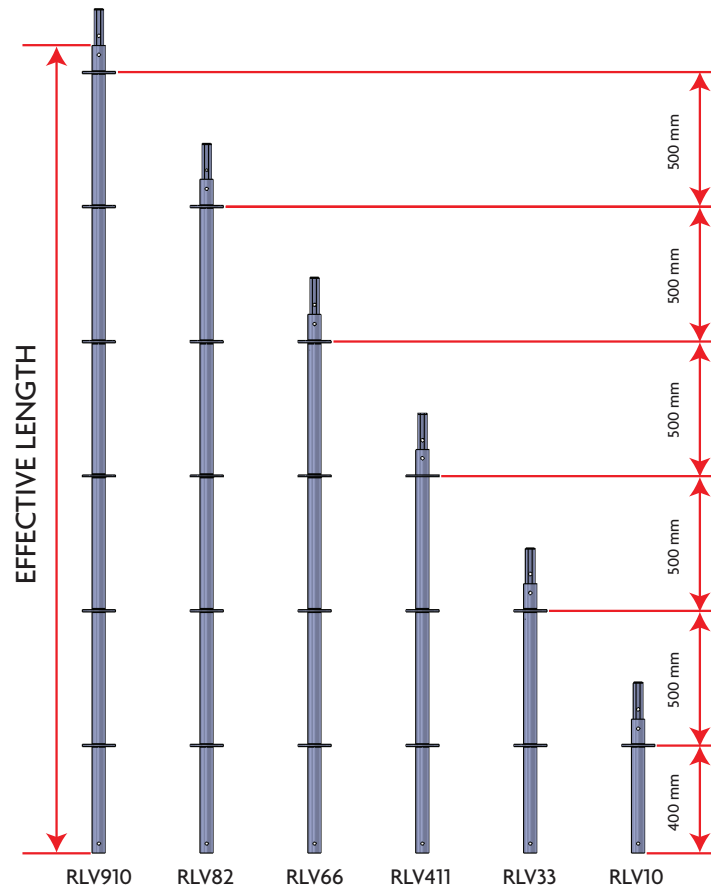
	Diameter		Thickness		Minimum Tensile		Minimum Yield	
	In	mm	In	mm	Mpa	ksi	Mpa	ksi
RLV	1.9	48.3	0.118	3.0	517	75,000	414	60,000
RLH	1.9	48.3	0.118	3.0	517	75,000	414	60,000
RLFB	1.9	48.3	0.098	2.5	483	70,000	345	50,000
RLCB	1.9	48.3	0.098	2.5	483	70,000	345	50,000

NOTE: Minimum Elongation at 2in/50.8mm is 20%

World Headquarters: 6059 South Loop East | Houston, TX 77087

Offices In: California | Maryland | Hong Kong | China | United Kingdom | Latin America | Canada

VERTICALS

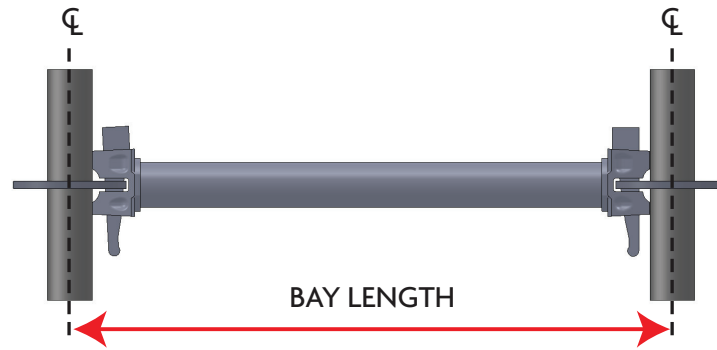


Product Code	Description	Effective Length		Weight	
		Inches	Meters	Lb	Kg
RLV10	1 Ring Vertical W/Spigot	19.69	0.50	6.9	3.1
RLV33	2 Ring Vertical W/Spigot	39.37	1.00	12.1	5.5
RLV411	3 Ring Vertical W/Spigot	59.06	1.50	17.3	7.7
RLV66	4 Ring Vertical W/Spigot	78.74	2.00	22.3	10.1
RLV82	5 Ring Vertical W/Spigot	98.43	2.50	28.8	13.1
RLV910	6 Ring Vertical W/Spigot	118.11	3.00	33.2	15.0

World Headquarters: 6059 South Loop East | Houston, TX 77087

Offices In: California | Maryland | Hong Kong | China | United Kingdom | Latin America | Canada

LEDGERS



Imperial Sizes					
Product Code	Description	Bay Length		Weight	
		Inches	Meters	Lb	Kg
RLH10	1' Ledger	11.81	0.300	3.6	1.62
RLH20	2' Ledger	24.02	0.610	6.7	3.04
RLH30	3' Ledger	35.98	0.914	9.1	4.13
RLH36S	3'-6" Ledger	41.93	1.065	10.1	4.56
RLH40	4' Ledger	48.03	1.220	11.5	5.20
RLH50	5' Ledger	60.00	1.524	13.6	6.18
RLH54	5'-4" Ledger	63.98	1.625	14.6	6.63
RLH60	6' Ledger	72.00	1.829	16.1	7.31
RLH70	7' Ledger	83.86	2.130	18.5	8.38
RLH80	8' Ledger	96.06	2.440	21.1	9.57
RLH90	9' Ledger	107.99	2.743	24.3	11.02
RLH100	10' Ledger	120.12	3.051	26.4	11.96

Metric Sizes				
Product Code	Description	Bay Length	Weight	
		Meters	Lb	Kg
RLH14	1'-4" Ledger	0.400	5.0	2.29
RLH24	2'-4" Ledger	0.732	7.7	3.49
RLH33	3'-3" Ledger	0.990	9.3	4.24
RLH36	3'-6" Ledger	1.088	10.6	4.79
RLH43	4'-3" Ledger	1.286	11.9	5.40
RLH410	4'-10" Ledger	1.484	13.8	6.27
RLH52	5'-2" Ledger	1.572	14.1	6.39
RLH55	5'-5" Ledger	1.651	15.0	6.80
RLH69	6'-9" Ledger	2.072	18.0	8.16
RLH70	7' Ledger	2.130	18.5	8.38
RLH86	8'-6" Ledger	2.572	22.5	10.19
RLH100	10' Ledger	3.051	26.4	11.96
RLH101	10'-1" Ledger	3.070	28.0	12.70

World Headquarters: 6059 South Loop East | Houston, TX 77087

Offices In: California | Maryland | Hong Kong | China | United Kingdom | Latin America | Canada



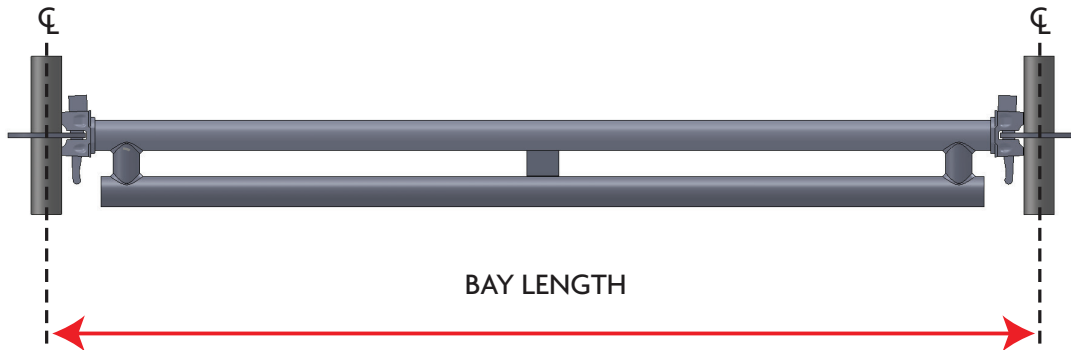
LEDGERS - CANADIAN SIZES

Canadian Sizes					
Product Code	Description	Bay Length		Weight	
		Inches	Meters	Lb	Kg
RLH22	2'-2" Ledger	25.59	0.650	6.9	3.14
RLH211	2'-11" Ledger	34.65	0.880	8.8	3.97
RLH36S	3'-6" Ledger	41.93	1.065	10.1	4.56
RLH39	3'-9" Ledger	45.28	1.150	10.8	4.89
RLH52	5'-2" Ledger	61.89	1.572	14.1	6.39
RLH70	7' Ledger	83.86	2.130	18.5	8.38
RLH100	10' Ledger	120.12	3.051	26.4	11.96

World Headquarters: 6059 South Loop East | Houston, TX 77087

Offices In: California | Maryland | Hong Kong | China | United Kingdom | Latin America | Canada

DOUBLE LEDGERS



Product Code	Description	Bay Length		Weight	
		Inches	Meters	Lb	Kg
RLDL47	4'-7" Double Ledger	55.12	1.40	26.9	12.20
RLDL50	5' Double Ledger	60.00	1.524	25.6	11.59
RLDL52	5'-2" Double Ledger	61.89	1.572	26.7	12.09
RLDL54	5'-4" Double Ledger	63.98	1.625	28.0	12.70
RLDL60	6' Double Ledger	72.01	1.829	30.3	13.76
RLDL69	6'-9" Double Ledger	81.57	2.072	29.8	13.51
RLDL70	7' Double Ledger	83.86	2.130	35.4	16.07
RLDL80	8' Double Ledger	96.06	2.440	39.9	18.12
RLDL86	8'-6" Double Ledger	101.26	2.572	42.3	19.19
RLDL100	10' Double Ledger	120.12	3.051	51.5	23.38

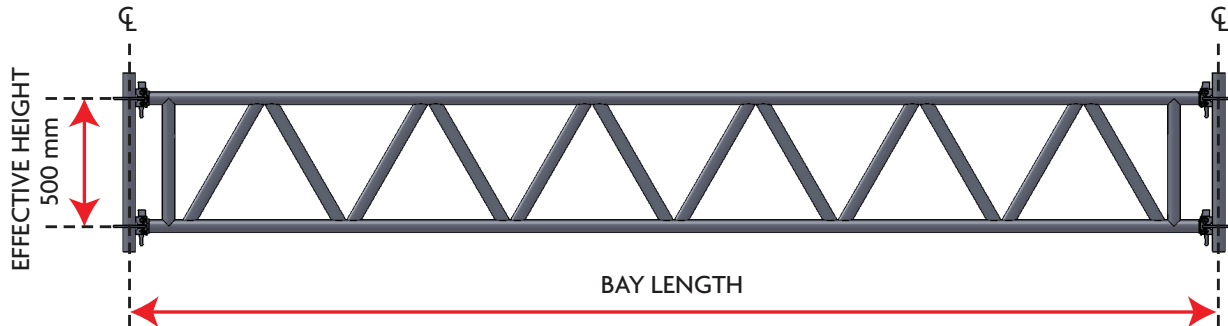
World Headquarters: 6059 South Loop East | Houston, TX 77087

Offices In: California | Maryland | Hong Kong | China | United Kingdom | Latin America | Canada

713-673-7701 Phone | 800-720-6629 Toll Free | www.dss.net

[CLICK TO RETURN TO TABLE OF CONTENTS](#)

LATTICE GIRDER

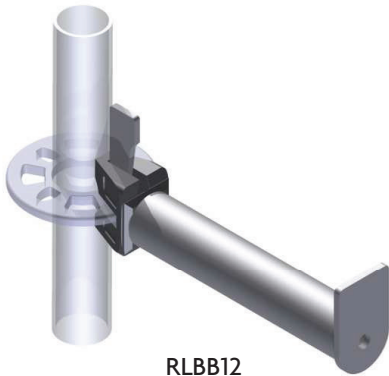


Product Code	Description	Bay Length		Weight	
		Inches	Meters	Lb	Kg
RLLG07	7' Lattice Girder	83.86	2.130	53.2	24.15
RLLG086	8'-6" Lattice Girder	101.26	2.572	62.2	28.20
RLLG10	10' Lattice Girder	120.12	3.051	70.3	31.90
RLLG14	14' Lattice Girder	168.00	4.267	99.7	45.24
RLLG16	16' Lattice Girder	191.98	4.876	109.9	49.85
RLLG18	18' Lattice Girder	216.00	5.486	123.5	56.00
RLLG20	20' Lattice Girder	240.00	6.096	138.6	62.87
RLLG21	21' Lattice Girder	252.00	6.401	139.7	63.35
RLLG28	28' Lattice Girder	336.00	8.534	207.2	94.00

World Headquarters: 6059 South Loop East | Houston, TX 77087

Offices In: California | Maryland | Hong Kong | China | United Kingdom | Latin America | Canada

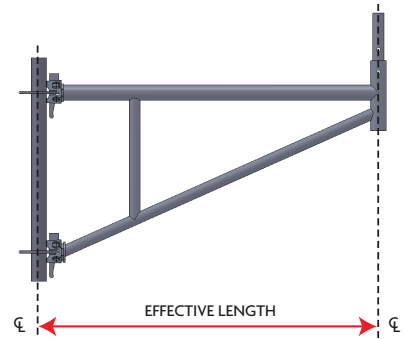
BOARD BRACKET



RLBB12



RLBB16, RLBB20, RLBB22, RLBB25, RLBB211



RLBB30, RLBB33, RLBB36S

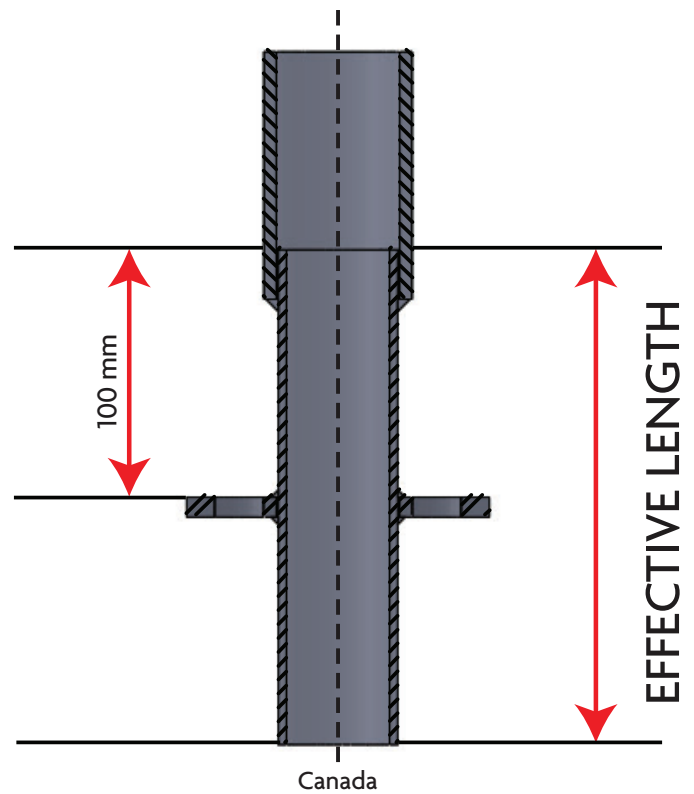
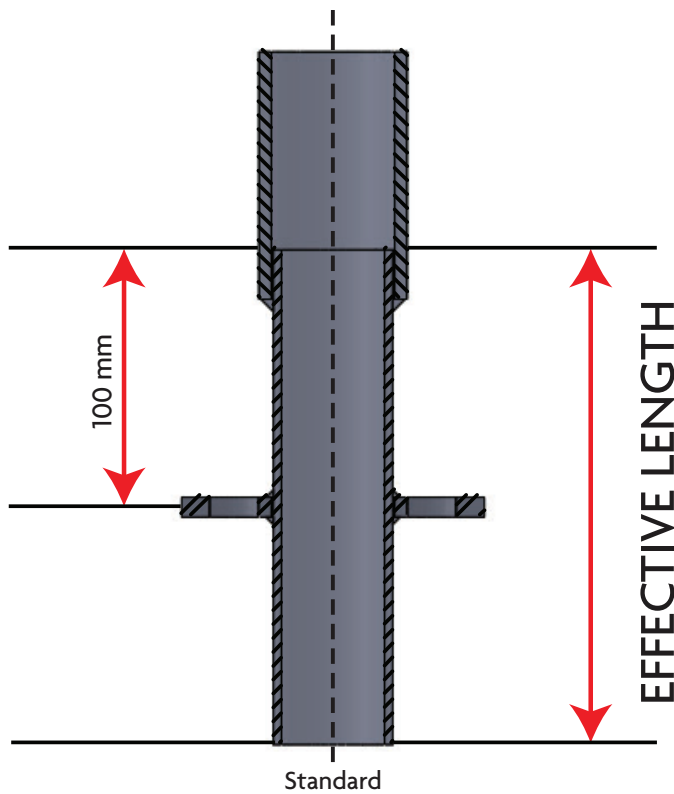
Product Code	Description	Bay Length		Weight	
		Inches	Meters	Lb	Kg
RLBB12	12" Board Bracket	12.60	0.320	3.8	1.71
RLBB16	16" Board Bracket	15.75	0.400	10.4	4.71
RLBB20	24" Board Bracket	24.02	0.610	13.0	5.90
RLBBC22*	25" Board Bracket	25.59	0.650	13.4	6.10
RLBB25	29" Board Bracket	29.02	0.737	14.5	6.59
RLBB211	34" Board Bracket	34.64	0.880	16.4	7.45
RLBB30	36" Board Bracket	36.25	0.921	18.9	8.56
RLBB33	39" Board Bracket	39.17	0.995	19.9	9.04
RLBB36S	42" Board Bracket	41.93	1.065	20.6	9.33
RLBBC39*	45" Board Bracket	45.28	1.150	23.0	10.42

*Only Stocked in Canada

World Headquarters: 6059 South Loop East | Houston, TX 77087

Offices In: California | Maryland | Hong Kong | China | United Kingdom | Latin America | Canada

STARTER COLLAR

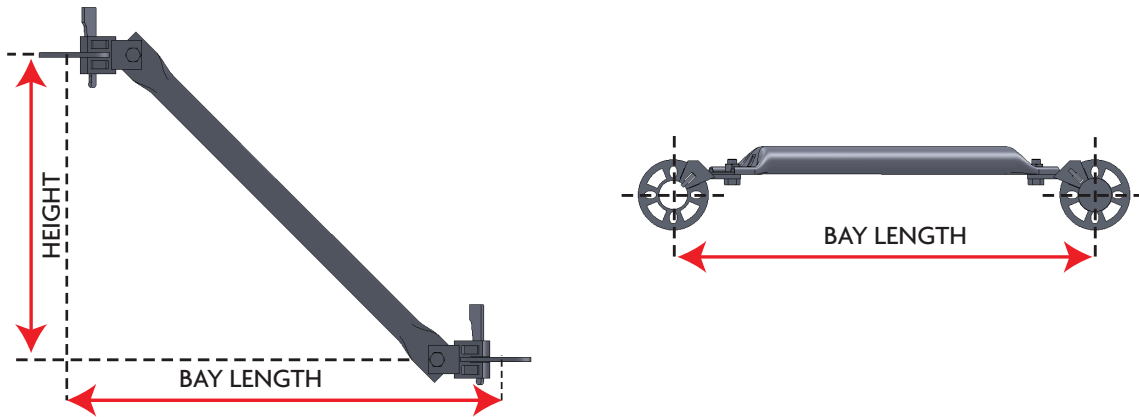


Product Code	Description	Effective Length		Weight	
		Inches	Meters	Lb	Kg
RLBCC	Base Collar / Starter Collar (Canadian Safeway Style)	8.27	0.210	4.1	1.84
RLBCL	Starter Collar Long	7.87	0.200	4.2	1.92
RLBCSC	Starter Collar (Base Collar) - Short	6.46	0.164	3.8	1.73

World Headquarters: 6059 South Loop East | Houston, TX 77087

Offices In: California | Maryland | Hong Kong | China | United Kingdom | Latin America | Canada

VERTICAL DIAGONAL



Imperial Sizes							
Product Code	Description	Bay Length		Height		Weight	
		Inches	Meters	Inches	Meters	Lb	Kg
RLVD30	3' Vert. Diag.	35.98	0.914	78.74	2.0	17.4	7.90
RLVD36S	3'-6" Vert. Diag.	41.93	1.065	78.74	2.0	18.1	8.22
RLVD40	4' Vert. Diag.	48.03	1.220	78.74	2.0	18.3	8.30
RLVD50	5' Vert. Diag.	60.00	1.524	78.74	2.0	18.4	8.33
RLVD60	6' Vert. Diag.	72.01	1.829	78.74	2.0	20.9	9.47
RLVD70	7' Vert. Diag.	83.86	2.130	78.74	2.0	21.8	9.87
RLVD80x1	8' Vert. Diag.	96.06	2.440	39.37	1.0	20.1	9.10
RLVD80x15	8' Vert. Diag.	96.06	2.440	59.05	1.5	23.1	10.50
RLVD80	8' Vert. Diag.	96.06	2.440	78.74	2.0	23.4	10.60
RLVD100	10' Vert. Diag.	120.12	3.051	78.74	2.0	26.8	12.17

Please contact a sales representative about availability of different sizes.

World Headquarters: 6059 South Loop East | Houston, TX 77087

Offices In: California | Maryland | Hong Kong | China | United Kingdom | Latin America | Canada

713-673-7701 Phone | 800-720-6629 Toll Free | www.dss.net

[CLICK TO RETURN TO TABLE OF CONTENTS](#)



VERTICAL DIAGONAL

Metric Sizes					
Product Code	Description	Bay Length		Height	
		Meters	Meters	Lb	Kg
RLVD36	3'-6" Vert. Diag.	1.088	2	15.5	7.02
RLVD43	4'-3" Vert. Diag.	1.286	2	18.7	8.46
RLVD410	4'-10" Vert. Diag.	1.484	2	18.4	8.35
RLVD52	5'-2" Ver. Diag.	1.572	2	19.2	8.73
RLVD69	6'-9" Vert. Diag.	2.072	2	21.9	9.93
RLVD70	7' Vert. Diag.	2.130	2	21.8	9.87
RLVD86	8'-6" Vert. Diag.	2.572	2	22.9	10.38
RLVD100	10' Vert. Diag.	3.051	2	26.8	12.17

Canadian Sizes							
Product Code	Description	Bay Width		Height		Weight	
		Inches	Meters	Inches	Meters	Lb	Kg
RLVD36S	3'-6" Vert. Diag.	41.93	1.065	78.74	2.0	18.1	8.22
RLVD39	3'-9" Vert. Diag.	45.28	1.150	78.74	2.0	18.2	8.25
RLVD52	5'-2" Ver. Diag.	61.89	1.572	78.74	2.0	19.2	8.73
RLVD70	7' Vert. Diag.	83.86	2.130	78.74	2.0	21.8	9.87
RLVD100	10' Vert. Diag.	120.12	3.051	78.74	2.0	26.8	12.71

Please contact a sales representative about availability of different sizes.

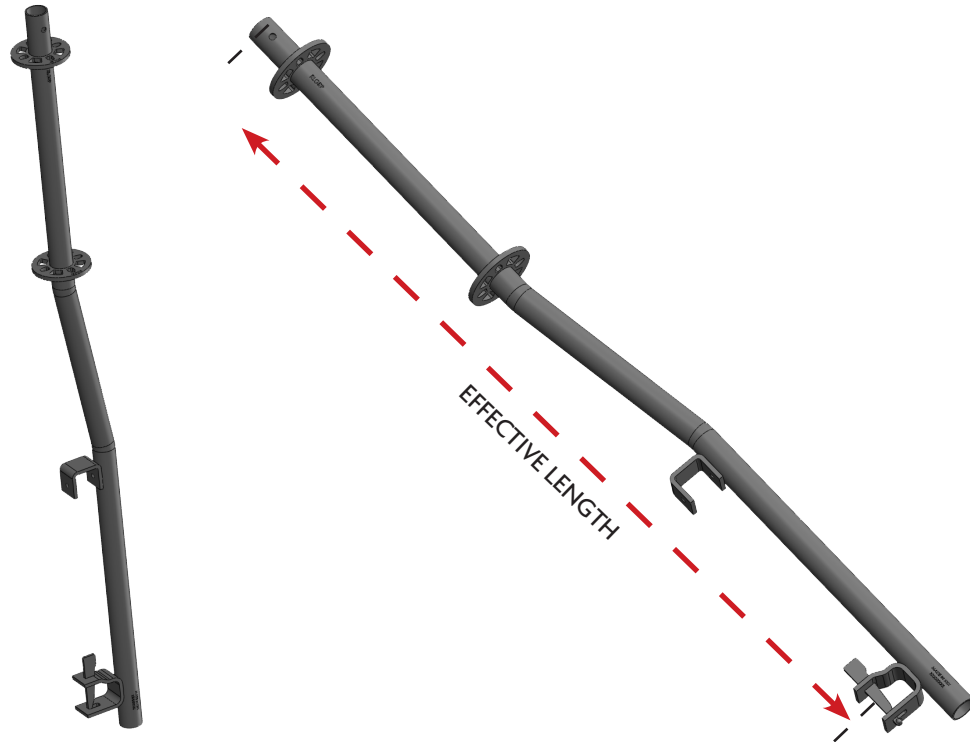
World Headquarters: 6059 South Loop East | Houston, TX 77087

Offices In: California | Maryland | Hong Kong | China | United Kingdom | Latin America | Canada

713-673-7701 Phone | 800-720-6629 Toll Free | www.dss.net

[CLICK TO RETURN TO TABLE OF CONTENTS](#)

GUARDRAIL POSTS

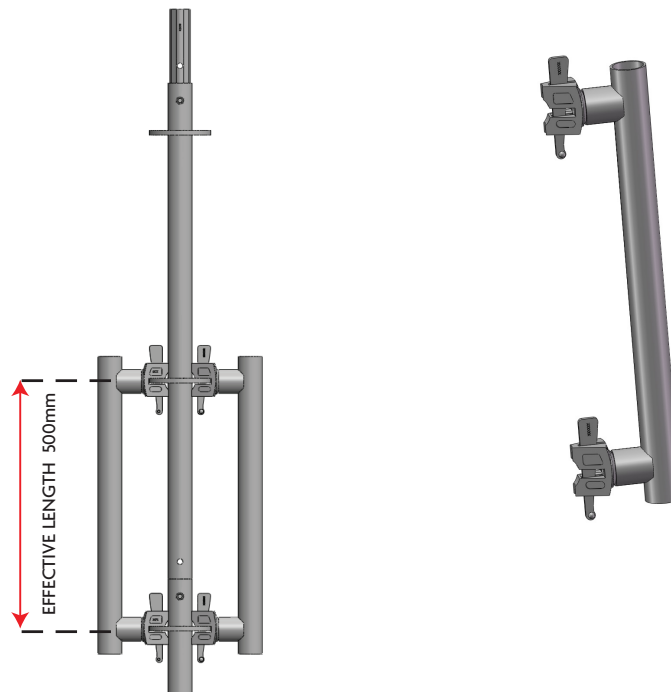


Product Code	Description	Effective Length		Weight	
		Inches	Meters	Lb	Kg
RLGRP	Ring Lock Guardrail Post	59.1	1.5	18.4	8.35

World Headquarters: 6059 South Loop East | Houston, TX 77087

Offices In: California | Maryland | Hong Kong | China | United Kingdom | Latin America | Canada

SUSPENDED CONNECTOR



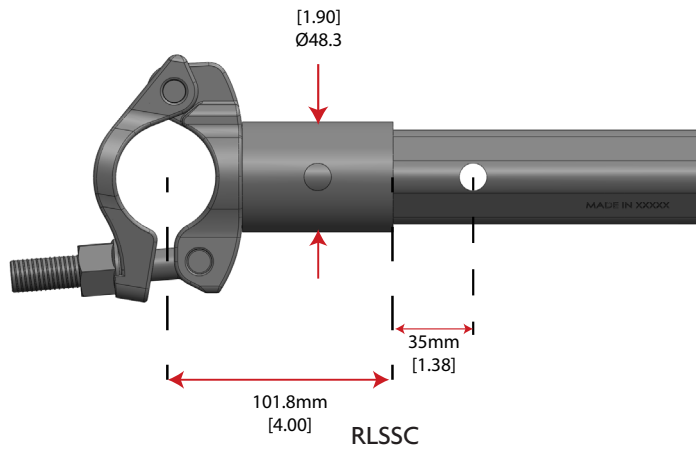
Product Code	Description	Effective Length		Weight	
		Inches	Meters	Lb	Kg
RLSC	Ring Lock Suspended Connector	19.7	0.50	8.8	3.98

Ring lock Suspended Connector is intended to be used in pairs.

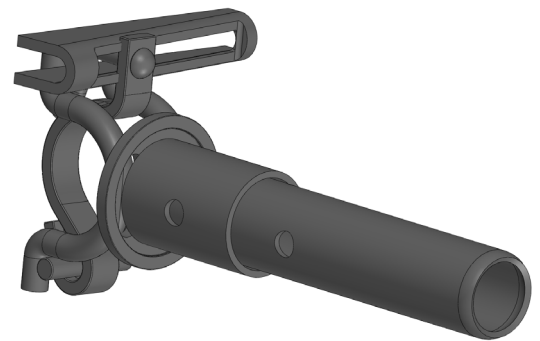
World Headquarters: 6059 South Loop East | Houston, TX 77087

Offices In: California | Maryland | Hong Kong | China | United Kingdom | Latin America | Canada

SUPPORT SPIGOT CLAMPS



RLSSC



RLSSW

Product Code	Description	Weight	
		Lb	Kg
RLSSC	Support Spigot Clamp with I-Bolt Clamp	3.8	1.73
RLSSW	Support Spigot with Wedge Clamp	3.7	1.70

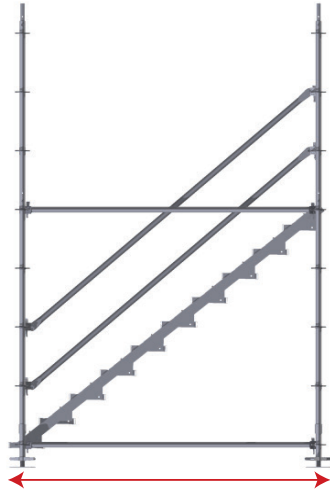
World Headquarters: 6059 South Loop East | Houston, TX 77087

Offices In: California | Maryland | Hong Kong | China | United Kingdom | Latin America | Canada

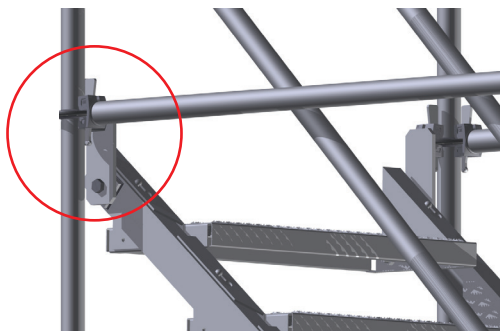
713-673-7701 Phone | 800-720-6629 Toll Free | www.dss.net

[CLICK TO RETURN TO TABLE OF CONTENTS](#)

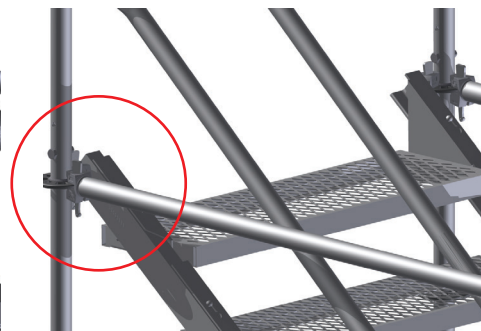
STAIR STRINGERS AND STEPS



BAY LENGTH



OFFSET STRINGER
 RLSS7



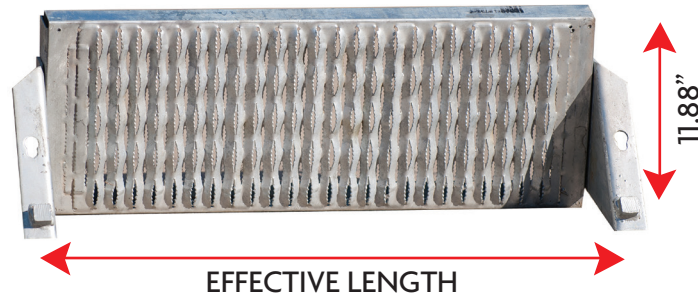
STRAIGHT CHANNEL
 RLSS7C, RLSS8, RLSS86

Product Code	Description	Bay Length		Height		Weight	
		Ft-In	Meters	Inches	Meters	Lb	Kg
RLSS7	7' Ring Stair Stringer (Offset)	7'	2.13	6'-6"	2	39.7	18.0
RLSS7-C	7' Ring Stair Stringer (Straight)	7'	2.13	6'-6"	2	52.9	24.0
RLSS8	8' Ring Stair Stringer (Straight)	8'	2.44	6'-6"	2	34.6	15.7
RLSS86	8'-6" Ring Stair Stringer (Straight)	8'-6"	2.57	6'-6"	2	35.3	16.0

World Headquarters: 6059 South Loop East | Houston, TX 77087

Offices In: California | Maryland | Hong Kong | China | United Kingdom | Latin America | Canada

STAIR STRINGERS AND STEPS



Product Code	Description	Effective Length		Tread Length		Weight	
		Inches	Meters	Inches	Meters	Lb	Kg
RLST32C	32" Ring Lock Stair Tread w/ L&R Hangers (For RLSS7-C)	33.75	0.86	31.57	0.8	21.4	9.7
RLST36	30" Ring Lock Stair Tread w/ L&R Hangers (for RLSS7)	32.18	0.82	30.01	0.76	13.9	6.3
RLST40	37.8" Ring Lock Stair Tread w/ L&R Hangers (for RLSS8)	40.02	1.02	37.85	0.96	15.7	7.1
RLST43	40.5" Ring Lock Stair Tread w/ L&R Hangers (For RLSS86)	42.67	1.08	40.5	1.03	18.5	8.4

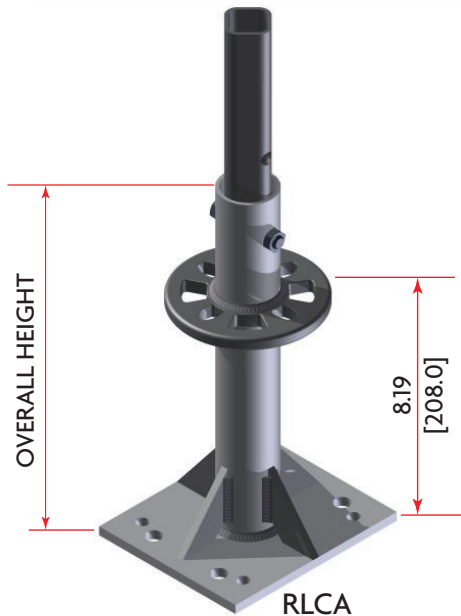
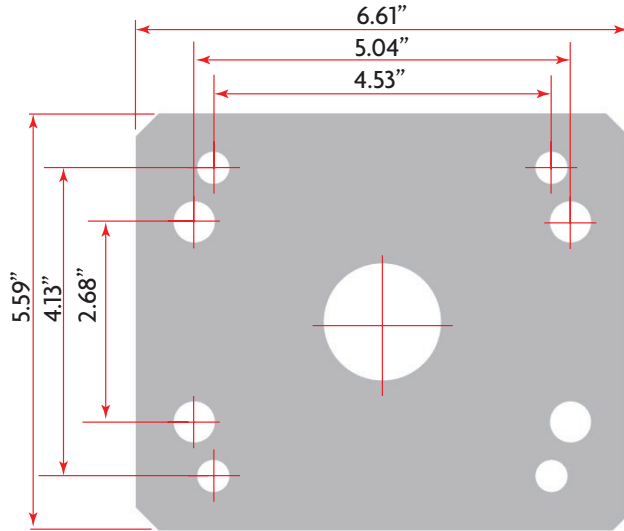
World Headquarters: 6059 South Loop East | Houston, TX 77087

Offices In: California | Maryland | Hong Kong | China | United Kingdom | Latin America | Canada

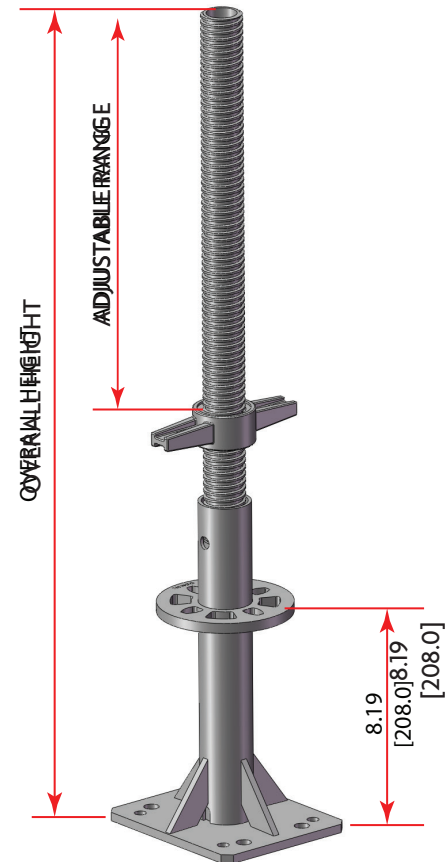
713-673-7701 Phone | 800-720-6629 Toll Free | www.dss.net

[CLICK TO RETURN TO TABLE OF CONTENTS](#)

RING LOCK CASTER ADAPTERS



RLCA



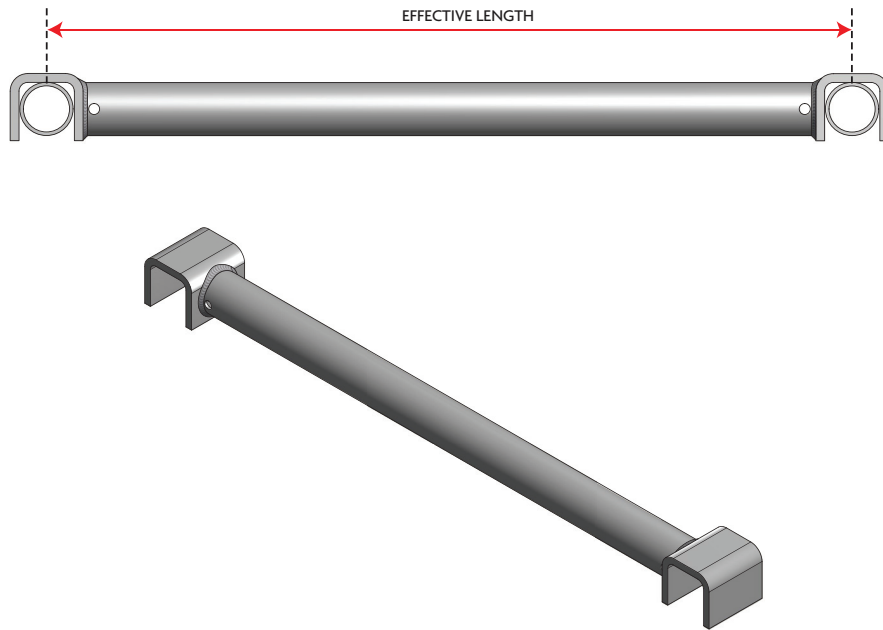
RLCAJ

Product Code	Description	Overall Height		Adjustable Range		Weight	
		Inches	Meters	Inches	Meters	Lb	Kg
RLCAJ	Ring Lock Adjustable Caster Adapter	30.35	0.8	12.24	0.3	15.3	7
RLCA	Ring Lock Caster Adapter	12.13	0.3	N/A	N/A	9	4.1
RLCAC	Ring Lock Caster Adapter - Canada	12.13	0.3	N/A	N/A	9.3	4.2

World Headquarters: 6059 South Loop East | Houston, TX 77087

Offices In: California | Maryland | Hong Kong | China | United Kingdom | Latin America | Canada

INTERMEDIATE TRANSOM



Product Code	Description	Effective Length		Weight	
		Inches	Meters	Lb	Kg
RLTI24*	2'-4" Intermediate Transom	28.82	0.732	9.4	4.28
RLTI30*	3' Intermediate Transom	35.98	0.914	10.9	4.94
RLTI36S	3'-6" Intermediate Transom	41.93	1.065	12.3	5.59
RLTI36*	3'-6" Intermediate Transom	42.83	1.088	12.1	5.50
RLTI39	3'-9" Intermediate Transom	45.28	1.150	13.0	5.91
RLTI410*	4'-10" Intermediate Transom	58.43	1.484	15.5	7.03
RLTI52	5'-2" Intermediate Transom	61.89	1.572	15.9	7.21
RLTI70	7' Intermediate Transom	83.86	2.130	20.1	9.12

*Item not stocked

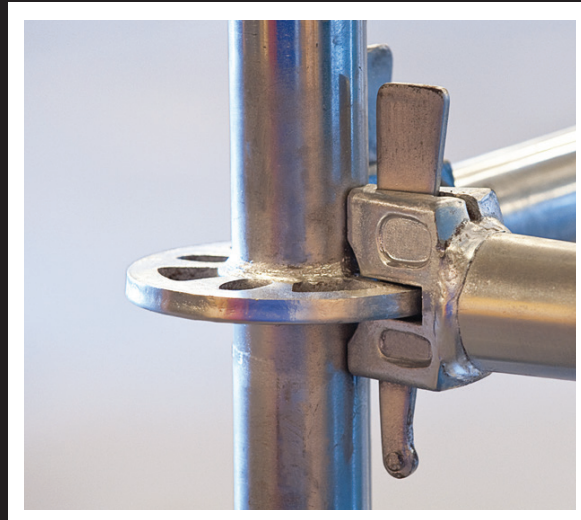
World Headquarters: 6059 South Loop East | Houston, TX 77087

Offices In: California | Maryland | Hong Kong | China | United Kingdom | Latin America | Canada

713-673-7701 Phone | 800-720-6629 Toll Free | www.dss.net



SYSTEM SCAFFOLD CATALOG
DSSCAT
UPDATED: 07/18/2019



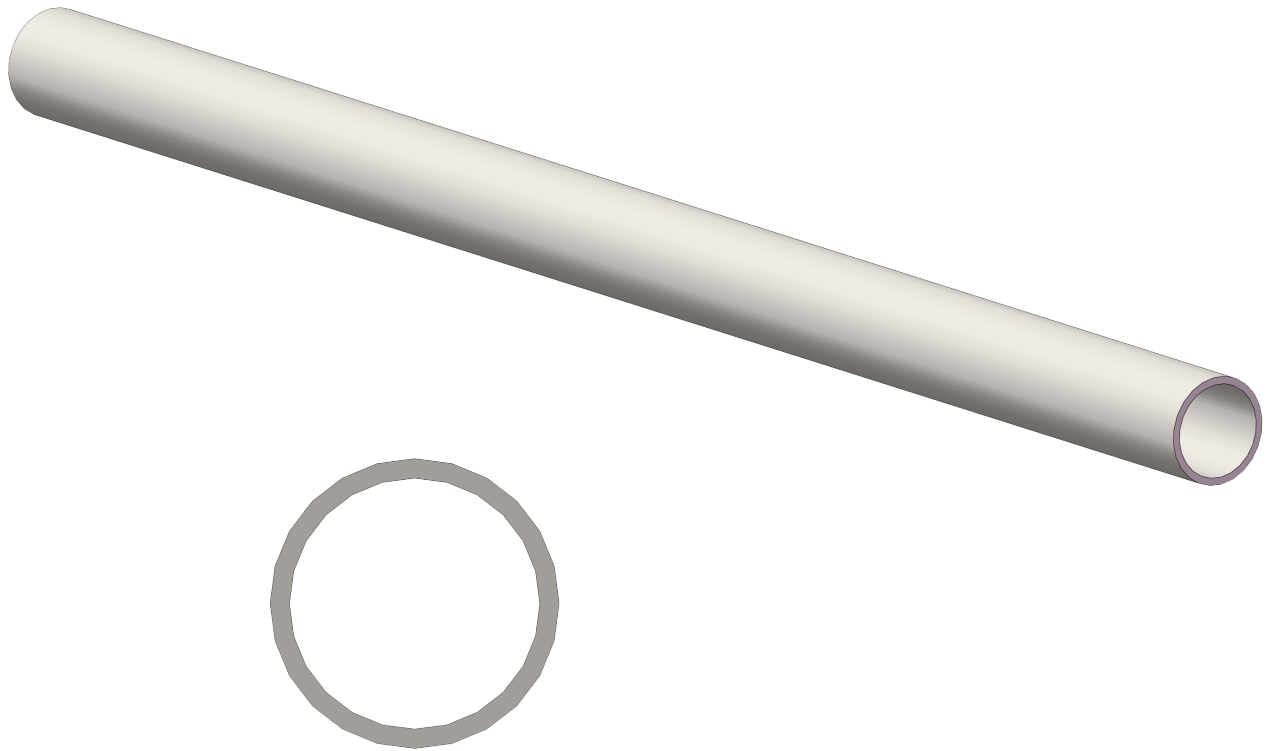
SPEED RING SECTION

World Headquarters: 6059 South Loop East | Houston, TX 77087

Offices In: California | Maryland | Hong Kong | China | United Kingdom | Latin America | Canada

713-673-7701 Phone | 800-720-6629 Toll Free | www.dss.net

SPEED RING TUBE SPECIFICATIONS

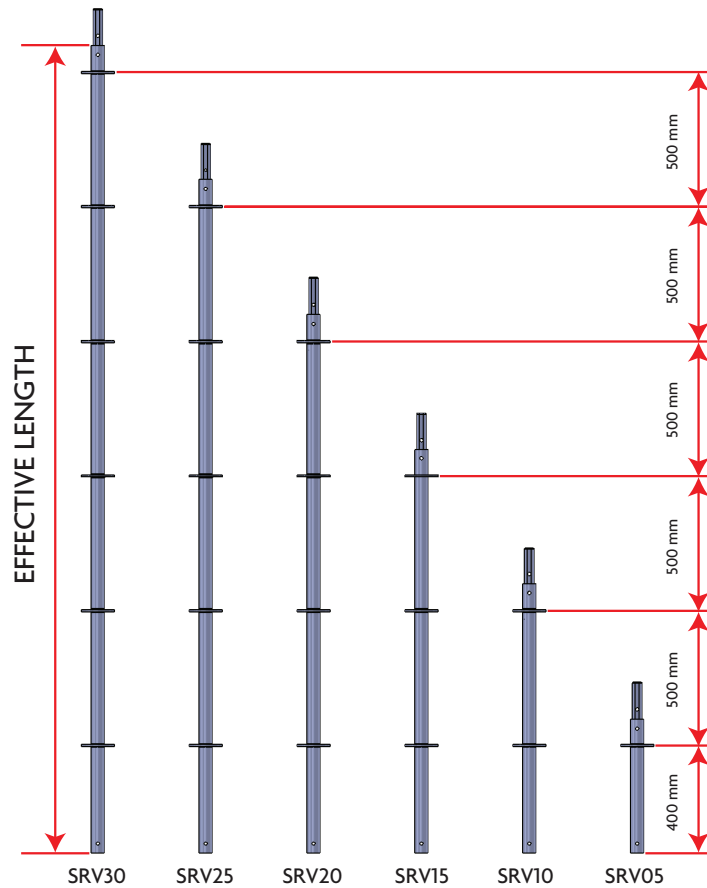


	Diameter		Thickness		Minimum Tensile		Minimum Yield	
	mm	mm	Mpa	ksi	Mpa	ksi	Mpa	ksi
SRV	48.3	3	414	60	345	50		
SRH	48.3	3	414	60	345	50		
SRD	48.3	2.4	414	60	345	50		

World Headquarters: 6059 South Loop East | Houston, TX 77087

Offices In: California | Maryland | Hong Kong | China | United Kingdom | Latin America | Canada

SPEED RING VERTICALS

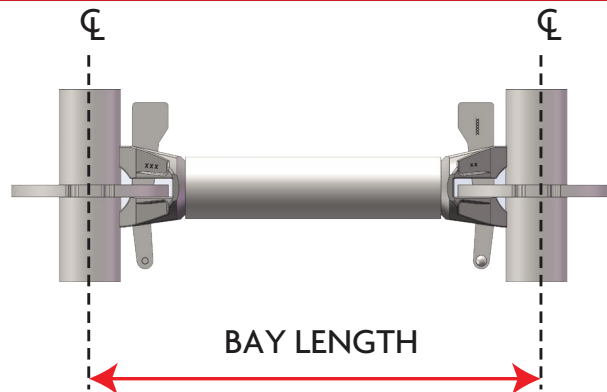


Product Code	Description	Effective Length Meters	Weight Kg
SRV05	Speed Ring Vertical 0.5M 1 Ring	0.50	2.97
SRV10	Speed Ring Vertical 1.0M 2 Ring	1.00	5.16
SRV15	Speed Ring Vertical 1.5M 3 Ring	1.50	7.31
SRV20	Speed Ring Vertical 2.0M 4 Ring	2.00	9.47
SRV25	Speed Ring Vertical 2.5M 5 Ring	2.50	11.63
SRV30	Speed Ring Vertical 3.0M 6 Ring	3.00	13.78

World Headquarters: 6059 South Loop East | Houston, TX 77087

Offices In: California | Maryland | Hong Kong | China | United Kingdom | Latin America | Canada

SPEED RING HORIZONTALS



Product Code	Description	Bay Length Meters	Weight	
			Lb	Kg
SRH040	Speed Ring Horizontal 0.4 meter	0.400	4.3	1.95
SRH050	Speed Ring Horizontal 0.5 meter	0.500	5.2	2.35
SRH061	Speed Ring Horizontal 0.61 meter	0.610	5.9	2.66
SRH065	Speed Ring Horizontal 0.65 meter	0.650	5.9	2.67
SRH070	Speed Ring Horizontal 0.70 meter	0.700	6.4	2.90
SRH073	Speed Ring Horizontal 0.73 meter	0.732	6.6	3.01
SRH074	Speed Ring Horizontal 0.74 meter	0.740	6.7	3.06
SRH091	Speed Ring Horizontal 0.91 meter	0.914	7.9	3.60
SRH107	Speed Ring Horizontal 1.07 meter	1.065	8.9	4.05
SRH109	Speed Ring Horizontal 1.09 meter	1.088	9.8	4.44
SRH115	Speed Ring Horizontal 1.15 meter	1.150	9.9	4.48
SRH122	Speed Ring Horizontal 1.22 meter	1.220	10.5	4.75
SRH140	Speed Ring Horizontal 1.40 meter	1.400	11.3	5.11
SRH150	Speed Ring Horizontal 1.50 meter	1.500	13.1	5.96
SRH152	Speed Ring Horizontal 1.52 meter	1.524	12.5	5.69

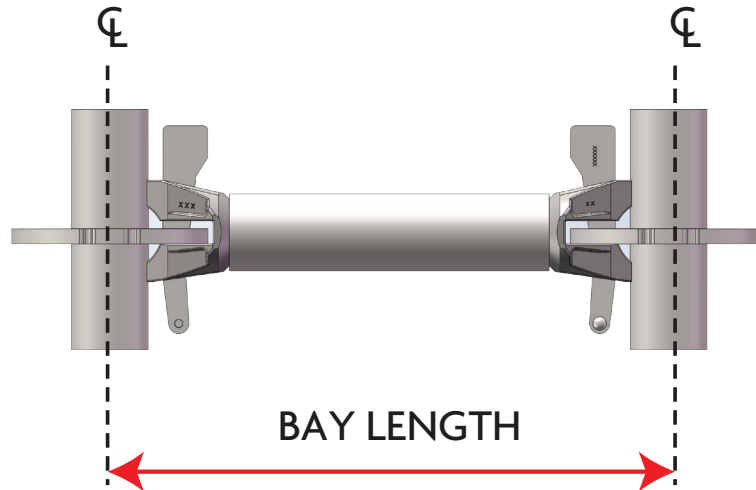
(Safe Working Loads are based on a 4:1 Safety Factor.)

*Other sizes available upon request

World Headquarters: 6059 South Loop East | Houston, TX 77087

Offices In: California | Maryland | Hong Kong | China | United Kingdom | Latin America | Canada

SPEED RING HORIZONTALS CONT.



Product Code	Description	Bay Length Meters	Weight	
			Lb	Kg
SRH157	Speed Ring Horizontal 1.57 meter	1.574	13.4	6.09
SRH183	Speed Ring Horizontal 1.83 meter	1.829	15.5	7.05
SRH207	Speed Ring Horizontal 2.07 meter	2.072	17.7	8.03
SRH213	Speed Ring Horizontal 2.13 meter	2.130	17.1	7.76
SRH244	Speed Ring Horizontal 2.44 meter	2.440	19.5	8.85
SRH257	Speed Ring Horizontal 2.57 meter	2.572	21.6	9.80
SRH300	Speed Ring Horizontal 3.00 meter	3.00	23.1	10.47
SRH305	Speed Ring Horizontal 3.05 meter	3.051	24.7	11.20
SRH307	Speed Ring Horizontal 3.07 meter	3.070	25.7	11.65

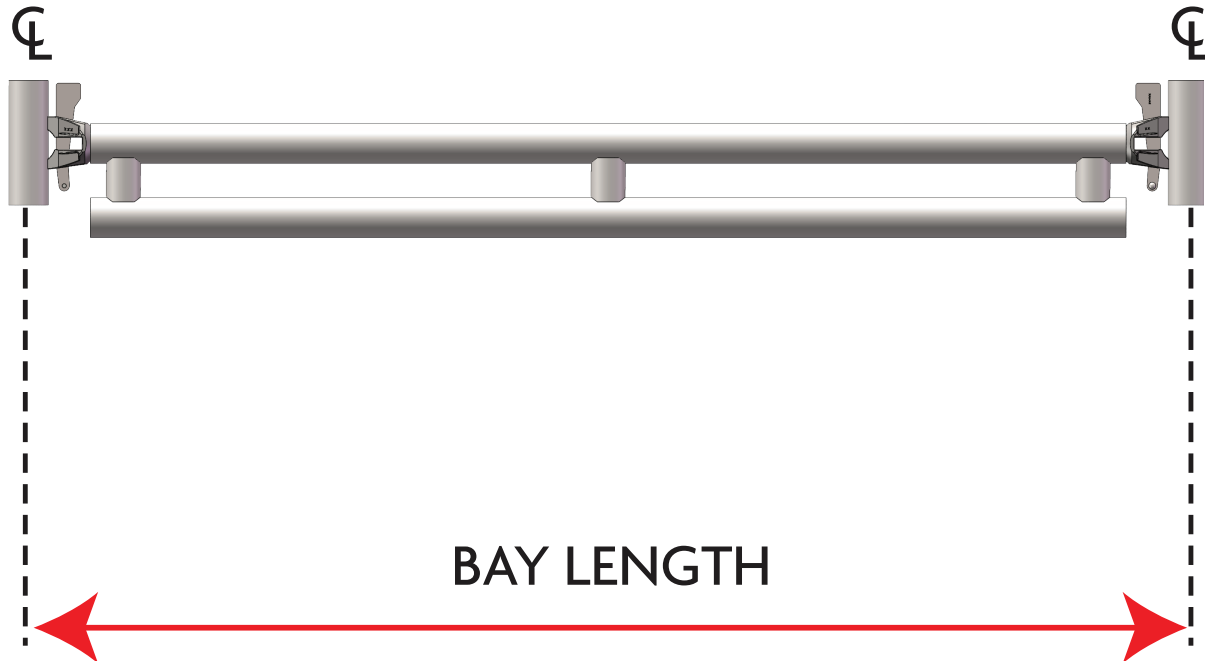
(Safe Working Loads are based on a 4:1 Safety Factor.)

World Headquarters: 6059 South Loop East | Houston, TX 77087

Offices In: California | Maryland | Hong Kong | China | United Kingdom | Latin America | Canada

713-673-7701 Phone | 800-720-6629 Toll Free | www.dss.net

SPEED RING DOUBLE LEDGER



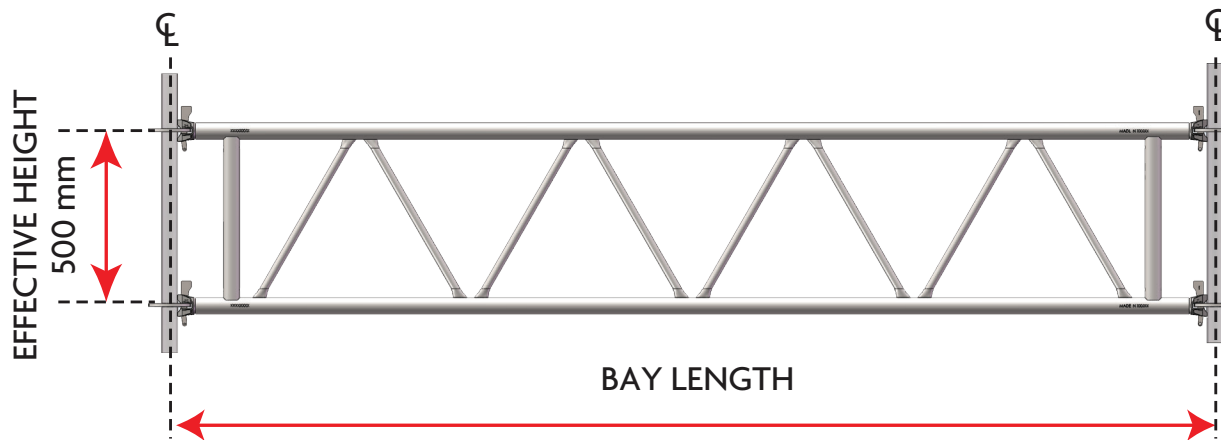
Product Code	Description	Bay Length Meters	Weight	
			Lb	Kg
SRDL140	Speed Ring Double Ledger 1.40 meter	1.400	22.3	10.10
SRDL150	Speed Ring Double Ledger 1.50 meter	1.500	24.0	10.90
SRDL152	Speed Ring Double Ledger 1.52 meter	1.524	23.7	10.74
SRDL157	Speed Ring Double Ledger 1.57 meter	1.574	25.1	11.40
SRDL207	Speed Ring Double Ledger 2.07 meter	2.072	32.1	14.57
SRDL213	Speed Ring Double Ledger 2.13 meter	2.130	34.1	15.45
SRDL257	Speed Ring Double Ledger 2.57 meter	2.572	41.7	18.90
SRDL305	Speed Ring Double Ledger 3.05 meter	3.051	49.6	22.50

(Safe Working Loads are based on a 4:1 Safety Factor.)
 *Other sizes available upon request

World Headquarters: 6059 South Loop East | Houston, TX 77087

Offices In: California | Maryland | Hong Kong | China | United Kingdom | Latin America | Canada

SPEED RING LATTICE GIRDER



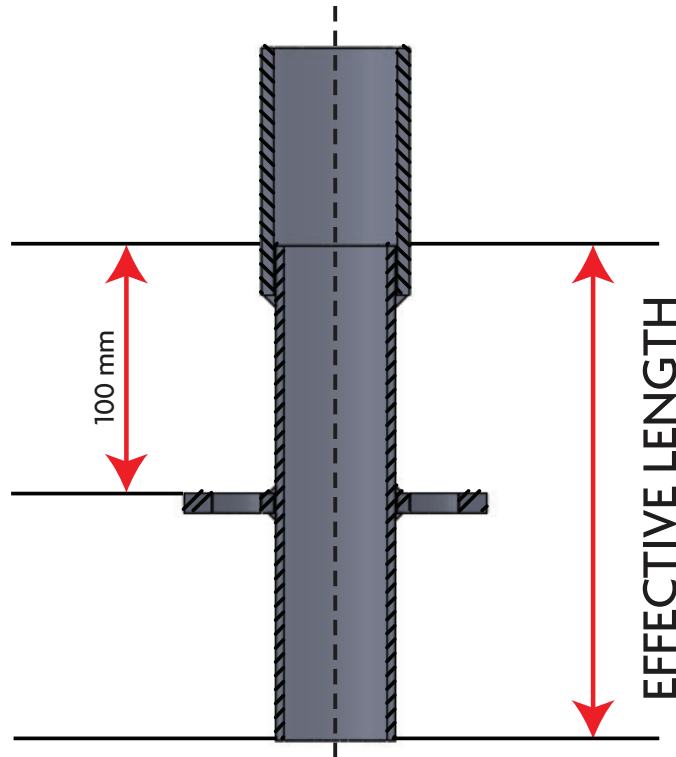
Product Code	Description	Bay Length Meters	Weight	
			Lb	Kg
SRLG300	Speed Ring Lattice Girder 3.00 Meter	3.000	65.9	29.90
SRLG305	Speed Ring Lattice Girder 3.05 Meter	3.051	66.8	30.30
SRLG307	Speed Ring Lattice Girder 3.07 Meter	3.070	67.2	30.50
SRLG488	Speed Ring Lattice Girder 4.88 Meter	4.880	103.2	46.80
SRLG610	Speed Ring Lattice Girder 6.10 Meter	6.100	125.9	57.10

*Other sizes available upon request

World Headquarters: 6059 South Loop East | Houston, TX 77087

Offices In: California | Maryland | Hong Kong | China | United Kingdom | Latin America | Canada

SPEED RING BASE COLLAR

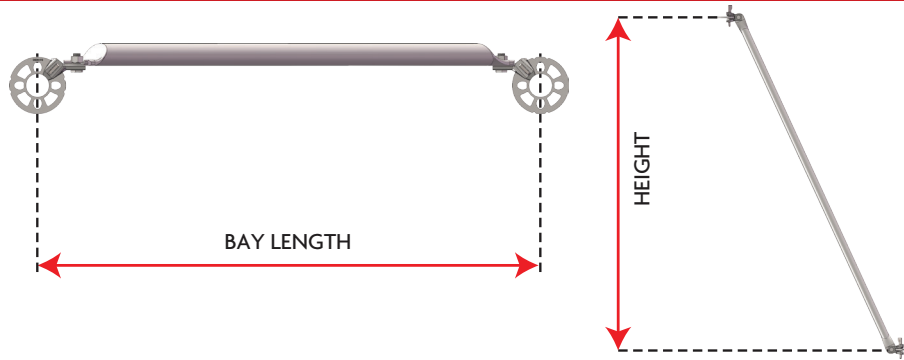


Product Code	Description	Effective Length		Weight	
		Inches	Meters	Lb	Kg
SRBC	Speed Ring Base Collar	8.27	0.21	3.9	1.75

World Headquarters: 6059 South Loop East | Houston, TX 77087

Offices In: California | Maryland | Hong Kong | China | United Kingdom | Latin America | Canada

SPEED RING DIAGONAL



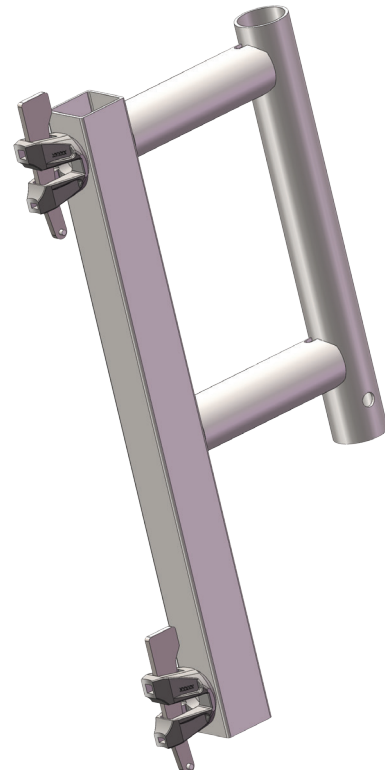
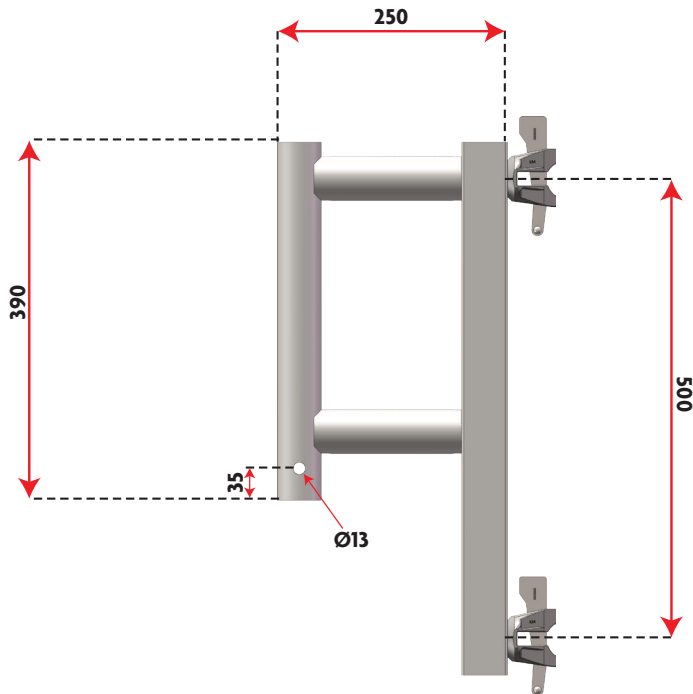
Product Code	Description	c-c Tube Holes	Tube Length	Weight	
				Lb	Kg
SRD091	Speed Ring Diagonal 0.91 Meter	2133.90	2183.90	15.97	7.24
SRD107	Speed Ring Diagonal 1.07 Meter	2191.10	2241.10	16.36	7.42
SRD109	Speed Ring Diagonal 1.09 Meter	2200.60	2250.60	16.42	7.45
SRD115	Speed Ring Diagonal 1.15 Meter	2227.20	2277.20	16.60	7.53
SRD122	Speed Ring Diagonal 1.22 Meter	2258.90	2308.90	16.82	7.63
SRD140	Speed Ring Diagonal 1.4 Meter	2348.00	2398.00	17.42	7.90
SRD150	Speed Ring Diagonal 1.5 Meter	2410.90	2415.90	17.78	8.07
SRD152	Speed Ring Diagonal 1.52 Meter	2415.20	2465.20	17.87	8.11
SRD157	Speed Ring Diagonal 1.57 Meter	2443.60	2493.60	18.07	8.19
SRD183	Speed Ring Diagonal 1.83 Meter	2598.40	2648.40	19.11	8.67
SRD207	Speed Ring Diagonal 2.07 Meter	2760.00	2810.00	20.21	9.17
SRD213	Speed Ring Diagonal 2.13 Meter	2800.30	2850.30	20.48	9.29
SRD244	Speed Ring Diagonal 2.44 Meter	3025.40	3075.40	22.00	9.98
SRD257	Speed Ring Diagonal 2.57 Meter	3125.60	3175.60	22.68	10.29
SRD300	Speed Ring Diagonal 3.0 Meter	3465.60	3515.60	24.98	11.33
SRD305	Speed Ring Diagonal 3.05 Meter	3507.20	3557.20	25.26	11.46

*Other sizes available upon request

World Headquarters: 6059 South Loop East | Houston, TX 77087

Offices In: California | Maryland | Hong Kong | China | United Kingdom | Latin America | Canada

SPEED RING CASTER OUTRIGGER



Product Code	Description	Weight Kg	Tube	
			OD	ID
SRCASOR	Speed Ring Caster Outrigger	6.10	48.3	42.3

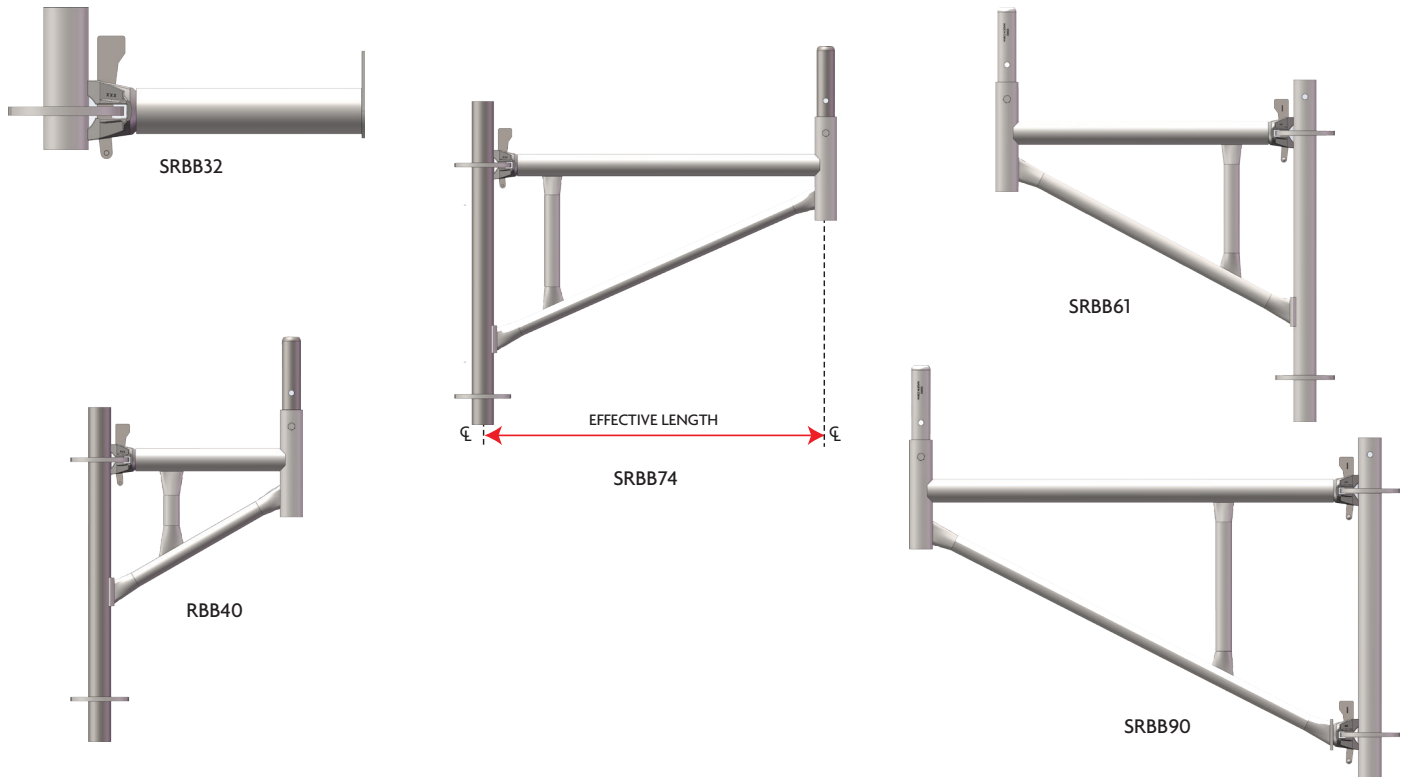
World Headquarters: 6059 South Loop East | Houston, TX 77087

Offices In: California | Maryland | Hong Kong | China | United Kingdom | Latin America | Canada

713-673-7701 Phone | 800-720-6629 Toll Free | www.dss.net

[CLICK TO RETURN TO TABLE OF CONTENTS](#)

SPEED RING BOARD BRACKET

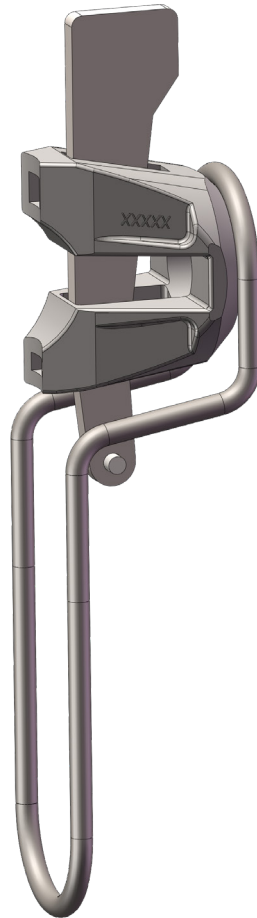


Product Code	Description	Effective Length Meters	Weight Kg
SRBB32	Speed Ring Board Bracket 0.32 Meter	0.32	1.54
SRBB40	Speed Ring Board Bracket 0.40 Meter	0.40	4.26
SRBB61	Speed Ring Board Bracket 0.60 Meter	0.60	5.53
SRBB75	Speed Ring Board Bracket 0.74 Meter	0.74	6.20
SRBB92	Speed Ring Board Bracket 0.92 Meter	0.92	7.81

World Headquarters: 6059 South Loop East | Houston, TX 77087

Offices In: California | Maryland | Hong Kong | China | United Kingdom | Latin America | Canada

SPEED RING BASE JACK HOLDER



Product Code	Description	Weight Kg
SRBJH	Speed Ring Base Jack Holder	0.65

World Headquarters: 6059 South Loop East | Houston, TX 77087

Offices In: California | Maryland | Hong Kong | China | United Kingdom | Latin America | Canada



SYSTEM SCAFFOLD CATALOG
DSSCAT
UPDATED: 07/18/2019

SYSTEM SCAFFOLD CATALOG



ACCESSORIES SECTION

World Headquarters: 6059 South Loop East | Houston, TX 77087

Offices In: California | Maryland | Hong Kong | China | United Kingdom | Latin America | Canada

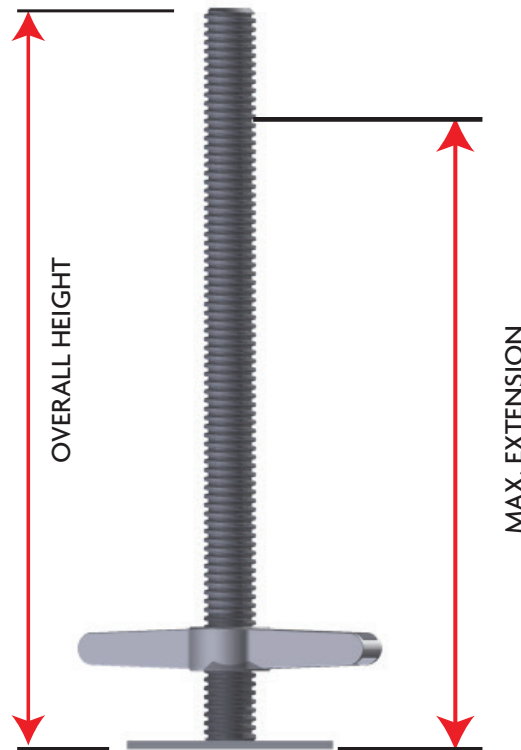
Copyright 2019

713-673-7701 Phone | 800-720-6629 Toll Free | www.dss.net

[CLICK TO RETURN TO
TABLE OF CONTENTS](#)

AC-1

SYSTEM JACK WITH BASE PLATE



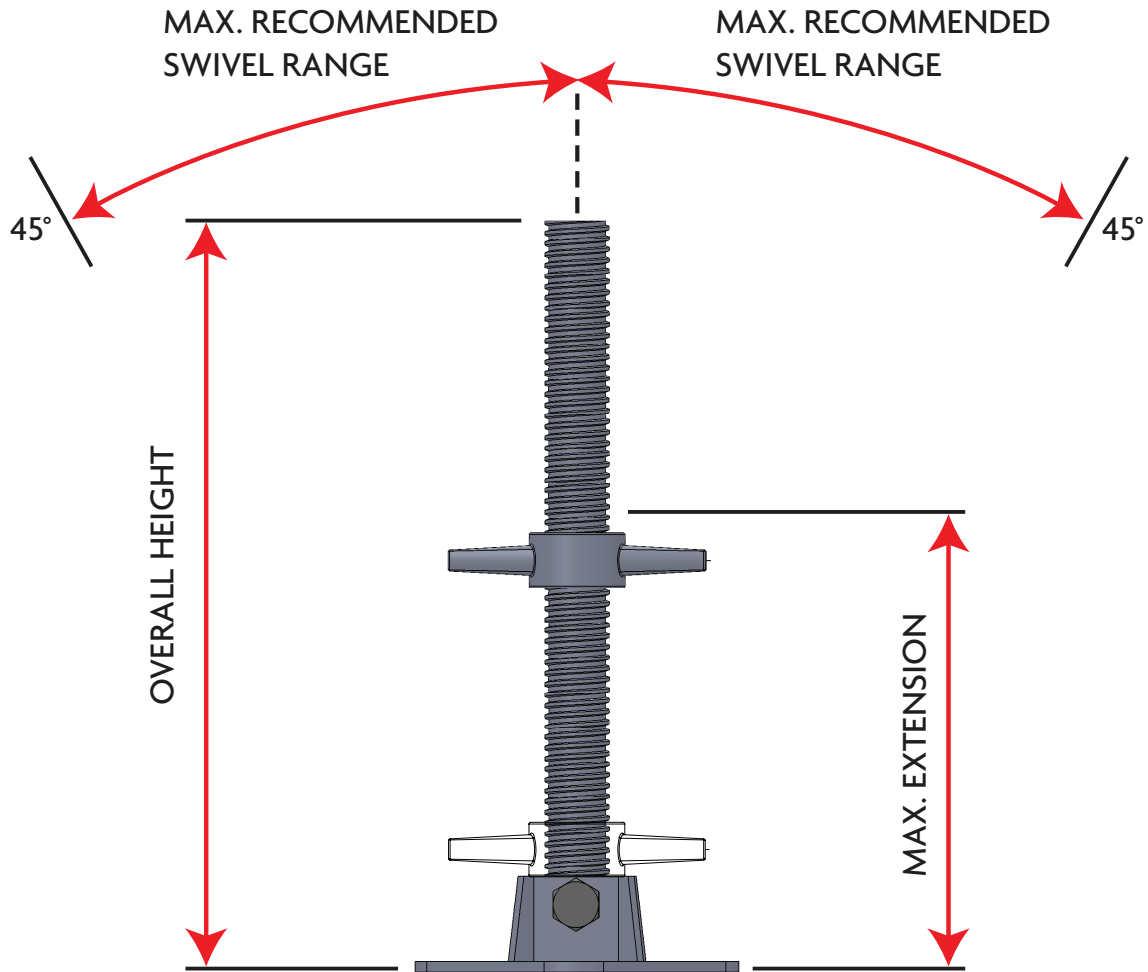
Product Code	Description	Max. Extension		Overall Height		Weight	
		Inches	Meters	Inches	Meters	Lb	Kg
BPSJB	21 In System Jack	15	0.38	21.22	0.54	8.2	3.74
BPSJB61	24 In System Jack	18	0.46	24.31	0.62	9.2	4.18
BPSJB-20*	20 Cm System Jack	5	0.13	7.87	0.20	5.4	2.40
BPSJB-30*	30 Cm System Jack	7.5	0.19	11.81	0.30	6.3	2.90
BPSJB-40*	40 Cm System Jack	10	0.26	15.75	0.40	7.2	3.30
BPSJB-80*	80 Cm System Jack	21	0.53	31.50	0.80	9.3	4.20

*Item not stocked

World Headquarters: 6059 South Loop East | Houston, TX 77087

Offices In: California | Maryland | Hong Kong | China | United Kingdom | Latin America | Canada

SWIVEL SYSTEM JACK



Disclaimer: Swivel jacks should be anchored to the structural surface or restrained. Anchors, bolts or restraints must hold 4 times the shear force that will be applied on the slope. If the angle will exceed 45° consult a Professional Engineer before erecting your structure. DSS/GSD recommends that you always consult a Professional Engineer before erecting a scaffold structure.

Product Code	Description	Max. Extension		Overall Height		Weight	
		Inches	Meters	Inches	Meters	Lb	Kg
BPSJS	Swivel System Jack 21"	14	0.37	20.98	0.53	9.1	4.15
BPSJS69	Swivel System Jack 27"	17	0.44	27.34	0.69	10.8	4.90

World Headquarters: 6059 South Loop East | Houston, TX 77087

Offices In: California | Maryland | Hong Kong | China | United Kingdom | Latin America | Canada

UNIVERSAL SYSTEM SPIGOT



Product Code	Description	Weight	
		Lb	Kg
PN-UCP	Universal System Spigot	1.7	0.8

The Universal System Spigot can be used in both Ring Lock and Cup Lock Systems.

World Headquarters: 6059 South Loop East | Houston, TX 77087

Offices In: California | Maryland | Hong Kong | China | United Kingdom | Latin America | Canada

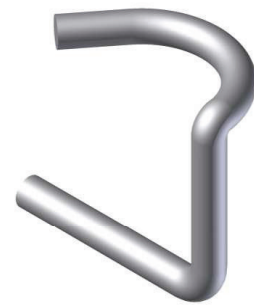
PINS



PN-HP3



PN-SP125



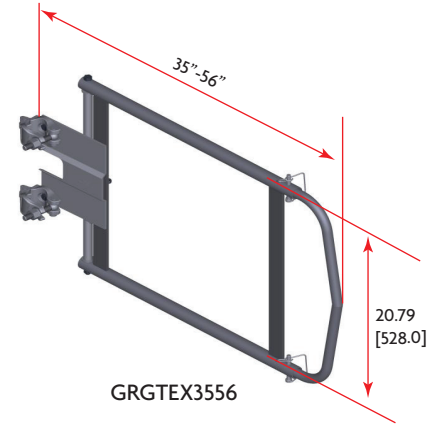
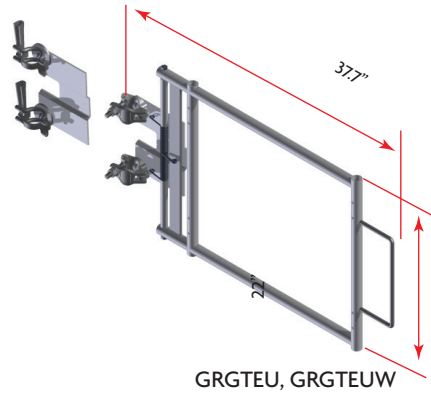
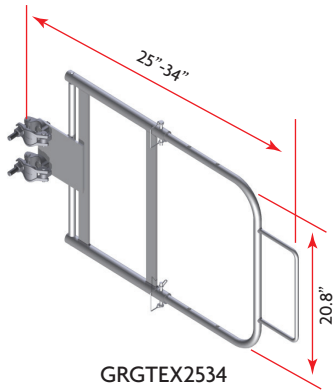
PN-PTPU

Product Code	Description	Pin Diameter		Weight	
		Inches	mm	Lb	Kg
PN-HP3	3" Hinge Pin	0.35	9.0	0.15	0.071
PN-SP125	1/4" X 1-1/4" Snap Pin	0.24	6.0	0.04	0.02
PN-SP2	2" Snap Pin	0.35	9.0	0.13	0.06
PN-PTPU	Pig Tail Pin Universal (1.69 - 1.9)	0.35	9.0	0.24	0.11

World Headquarters: 6059 South Loop East | Houston, TX 77087

Offices In: California | Maryland | Hong Kong | China | United Kingdom | Latin America | Canada

GATES

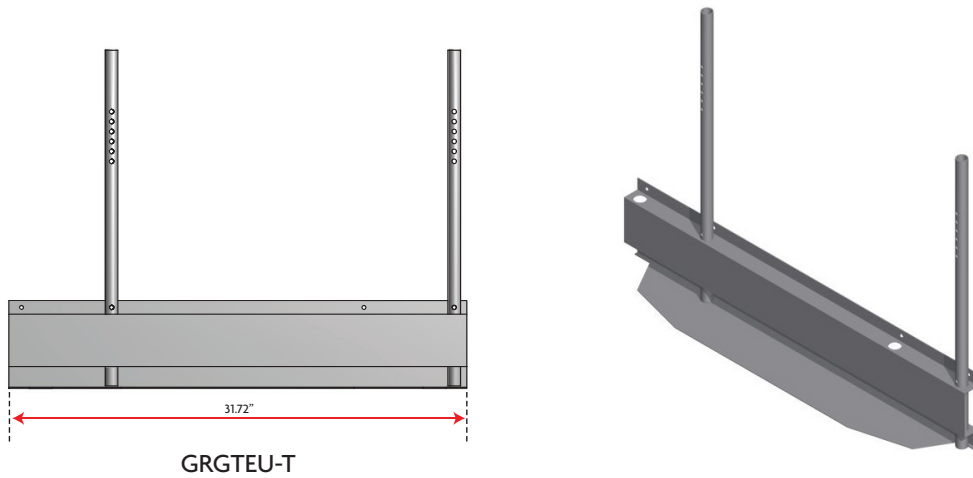
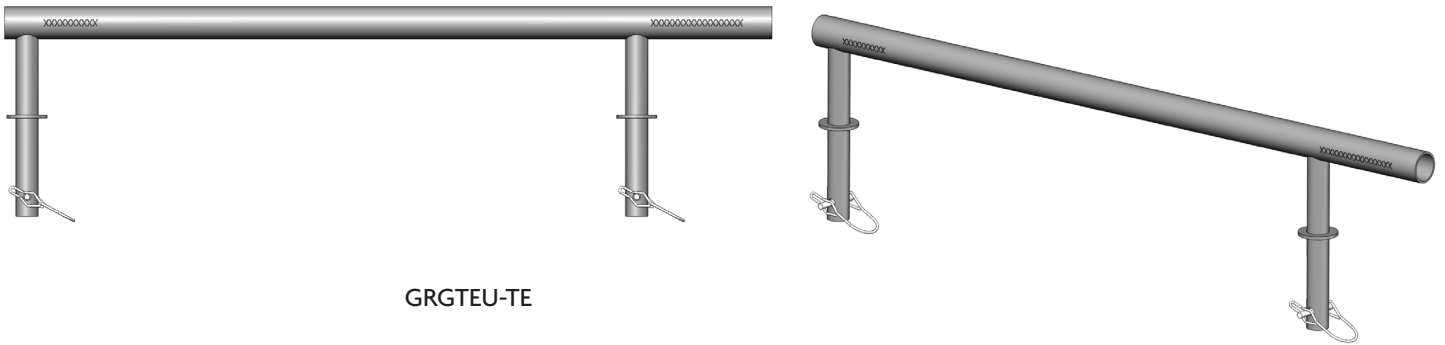


Product Code	Description	Min Extension		Max Extension	
		Inches	Meters	Inches	Meters
GRGTEX2534	Gate Expandable 25" to 34"	25.20	0.640	31.9	0.81
GRGTEX3356	Gate Expandable 35" to 56"	34.65	0.880	3.1	1.40
GRGTEU	Universal Swing Gate	N/A	N/A	2.1	0.96
GRGTEUW	Universal Swing Gate w/ Wedge Clamp	N/A	N/A	2.1	0.96

World Headquarters: 6059 South Loop East | Houston, TX 77087

Offices In: California | Maryland | Hong Kong | China | United Kingdom | Latin America | Canada

GATE ADAPTERS

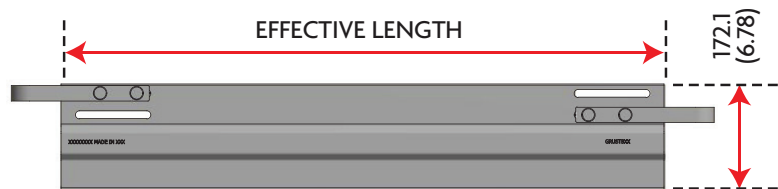


Product Code	Description	Weight	
		Lb	Kg
GRGTEU-TE	Universal Gate Top Extension Weld Assembly	3.7	1.67
GRGTEU-T	Adjustable Toe Board Set	9.7	4.4

World Headquarters: 6059 South Loop East | Houston, TX 77087

Offices In: California | Maryland | Hong Kong | China | United Kingdom | Latin America | Canada

UNIVERSAL TOE BOARD



Product Code	Description	Effective Length		Weight	
		Inches	Meters	Lb	Kg
GRUSTB30	3' Universal Toe Board	32.83	0.834	8.2	3.72
GRUSTB36	3'-6" Universal Toe Board	38.78	0.985	9.96	4.52
GRUSTB39	3'-9" Universal Toe Board	42.13	1.07	10.8	4.90
GRUSTB40	4' Universal Toe Board	44.88	1.14	11.46	5.20
GRUSTB50	5' Universal Toe Board	56.69	1.44	14.33	6.50
GRUSTB52	5'-2" Universal Toe Board	58.66	1.49	14.9	6.76
GRUSTB60	6' Universal Toe Board	68.9	1.75	17.42	7.90
GRUSTB70	7' Universal Toe Board	80.71	2.05	20.5	9.30
GRUSTB80	8' Universal Toe Board	92.91	2.36	23.37	10.60
GRUSTB86	8'-6" Universal Toe Board	98.03	2.49	24.91	11.30
GRUSTB90	9' Universal Toe Board	104.72	2.66	26.46	12.00
GRUSTB100	10' Universal Toe Board	116.93	2.97	29.54	13.40

World Headquarters: 6059 South Loop East | Houston, TX 77087

Offices In: California | Maryland | Hong Kong | China | United Kingdom | Latin America | Canada

DAVIT ARMS



UDA



RLDA

Product Code	Description	Weight	
		Lb	Kg
UDA	Universal Davit Arm	24.7	11.2
RLDA	Ring Lock Davit Arm	23.7	10.7

World Headquarters: 6059 South Loop East | Houston, TX 77087

Offices In: California | Maryland | Hong Kong | China | United Kingdom | Latin America | Canada

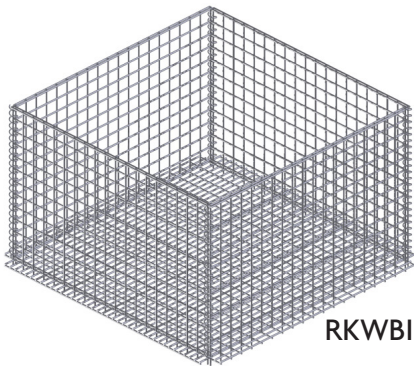
BASKETS



RKS RB



RKS RO



RKWB I



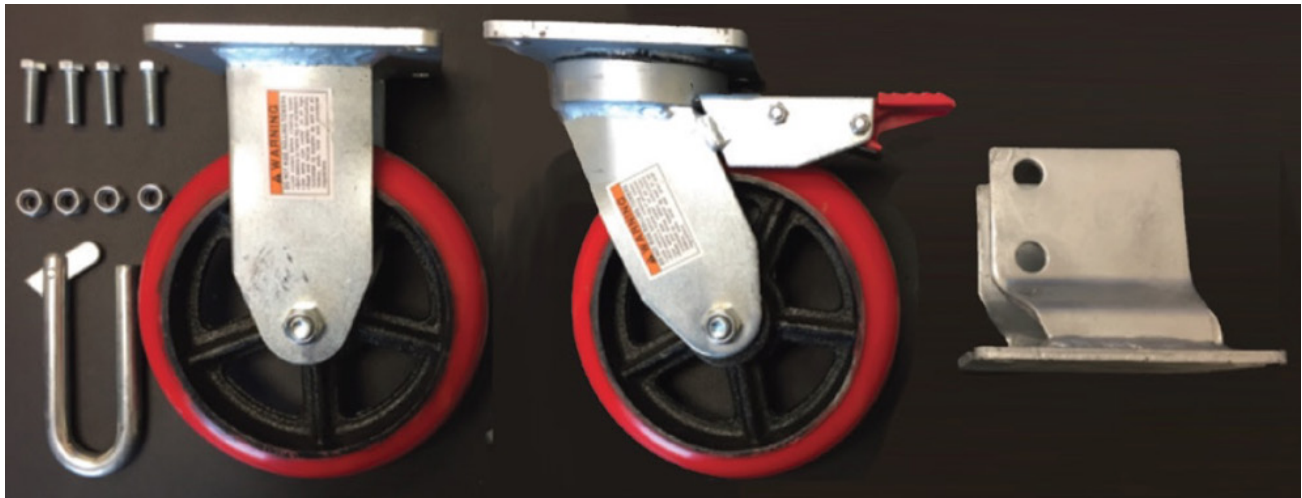
RKS RO 36x26

Product Code	Description	Dimensions	Weight	
			Lb	Kg
RKS RB	Shipping Basket	44"x44"x34"	160.1	72.60
RKS RO	Shipping Rack	44"x44"x34"	111.6	50.60
RKWB I	Wire Basket Insert for RKS RO	42"x42"x23"	141.1	64.00
RKS RO 36x26	Shipping Rack - 36x26	36"x36"x26"	143.3	65.00

World Headquarters: 6059 South Loop East | Houston, TX 77087

Offices In: California | Maryland | Hong Kong | China | United Kingdom | Latin America | Canada

RACK/BASKET SHOES & CASTERS



Product Code	Description	Wheel Diameter		Weight	
		Inches	Meters	Lb	Kg
CAS8RPHD	8" Rigid Plate Caster Crown w/ Hardware	8.0	0.20	13.6	6.2
CAS8SPHD	8" Swivel Plate Caster Crown w/ Hardware	8.0	0.20	16.9	7.7
CASRBA	Caster Shoe Racks / Basket	N/A	N/A	6.0	2.7

World Headquarters: 6059 South Loop East | Houston, TX 77087

Offices In: California | Maryland | Hong Kong | China | United Kingdom | Latin America | Canada

CASTERS



CAS8SA



CA8SA, CAS8B

Product Code	Description	Wheel Diameter		Weight		Adjustable Range	
		Inches	Meters	Lb	Kg	Inches	Meters
CAS8A	8" Caster for 1-1/2" Tubing	8"	0.20	11.8	5	N/A	N/A
CAS8B	8" Caster for 1-5/8" or 1-11/16"	8"	0.20	12.2	6	N/A	N/A
CAS8SA	8" Adjustable Stem System Scaffold Caster	8"	0.20	17.9	8	6.00	0.15

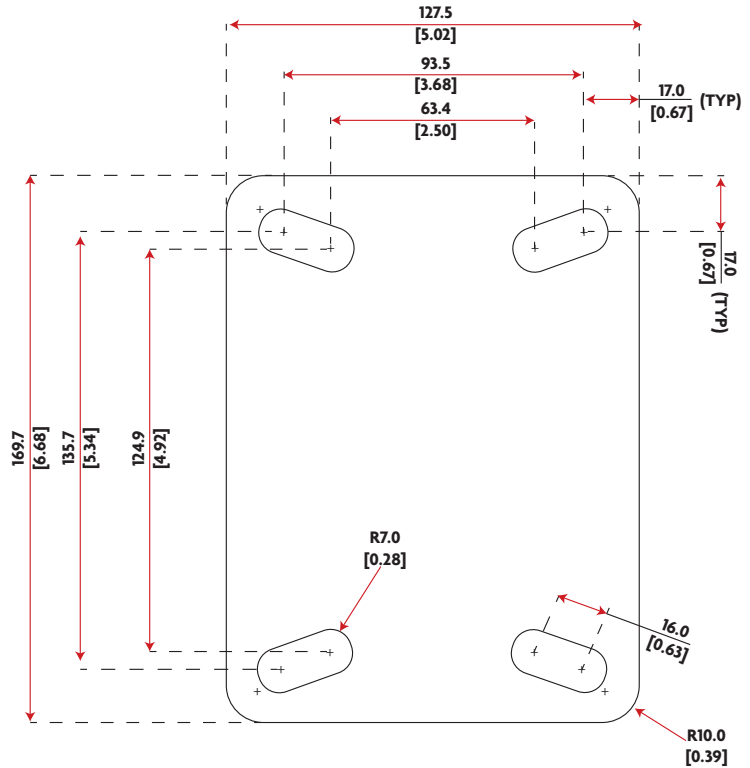
World Headquarters: 6059 South Loop East | Houston, TX 77087

Offices In: California | Maryland | Hong Kong | China | United Kingdom | Latin America | Canada

PLATE CASTERS



CAS12P

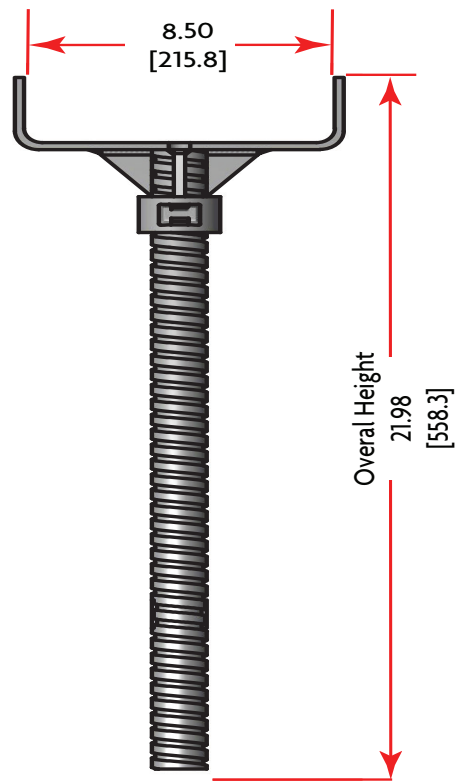
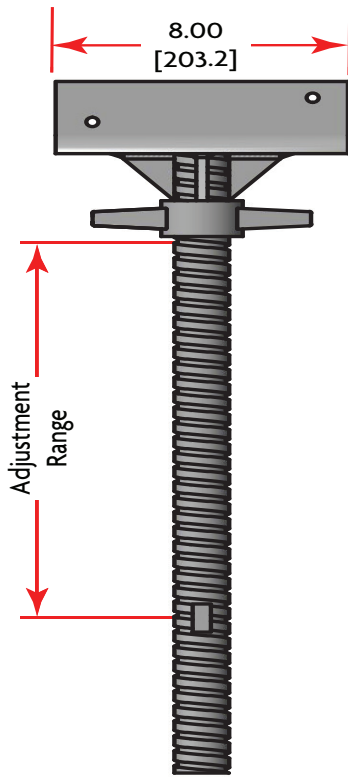


Product Code	Description	Wheel Diameter		Weight		Adjustable Range	
		Inches	Meters	Lb	Kg	Inches	Meters
CAS12P	12" Scaffold Plate Caster	12"	0.30	38.4	17	N/A	N/A

World Headquarters: 6059 South Loop East | Houston, TX 77087

Offices In: California | Maryland | Hong Kong | China | United Kingdom | Latin America | Canada

U-JACK



Product Code	Description	Adjustment Range		Weight	
		Inches	Meters	Lb	Kg
BPSJBU89	8"x9" System U- Jack	16.00	0.40	15	6.8

Threaded Tube O.D. 1.5"

Safe working loads are based on a 4:1 safety factor

World Headquarters: 6059 South Loop East | Houston, TX 77087

Offices In: California | Maryland | Hong Kong | China | United Kingdom | Latin America | Canada

SCAFFOLD TAGS



HW-NGL-101



HW-NGYL-101



HW-NRL-101

Additional tags and postings are available upon request.



SYSTEM SCAFFOLD CATALOG
DSSCAT
UPDATED: 07/18/2019



TUBE & CLAMP SECTION

World Headquarters: 6059 South Loop East | Houston, TX 77087

Offices In: California | Maryland | Hong Kong | China | United Kingdom | Latin America | Canada

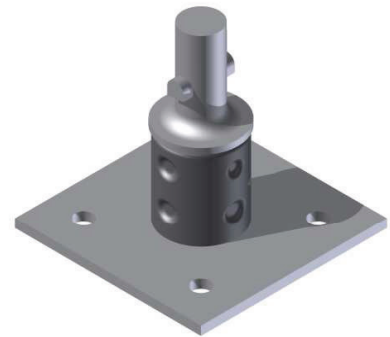
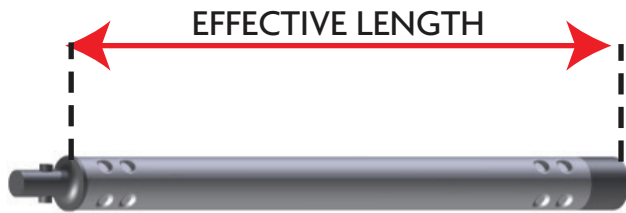
Copyright 2019

713-673-7701 Phone | 800-720-6629 Toll Free | www.dss.net

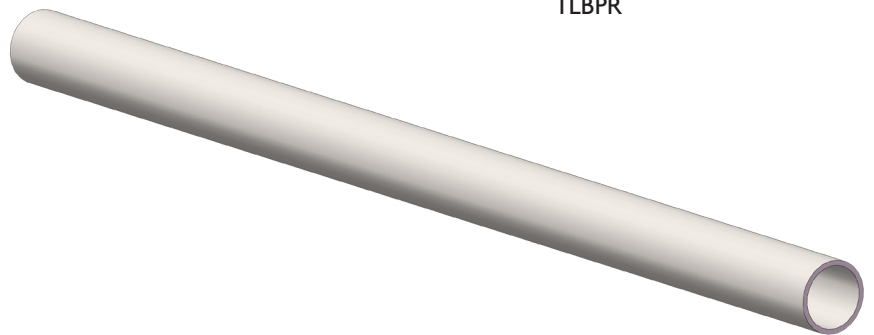
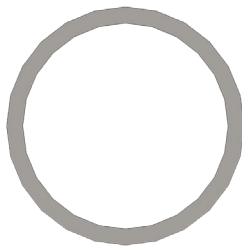
[CLICK TO RETURN TO
TABLE OF CONTENTS](#)

CP-1

TWIST LOCK TUBE



TLBPR



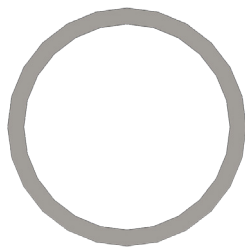
Product Code	Description	Effective Length		Weight	
		Inches	Meters	Lb	Kg
TL4	4' Twist Lock Tube	48	1.22	9.6	4.3
TL6	6' Twist Lock Tube	72	1.83	13.2	6.0
TL8	8' Twist Lock Tube	96	2.44	17.1	7.7
TL10	10' Twist Lock Tube	120	3.05	20.0	9.1
TL13	13' Twist Lock Tube	156	3.96	26.5	12.0
TL16	16' Twist Lock Tube	192	4.88	33.9	15.4

Product Code	Description	Weight	
		Lb	Kg
TLBPR	Twist Lock Base Plate Rigid	3.44	1.56

World Headquarters: 6059 South Loop East | Houston, TX 77087

Offices In: California | Maryland | Hong Kong | China | United Kingdom | Latin America | Canada

PLAIN END STEEL TUBE



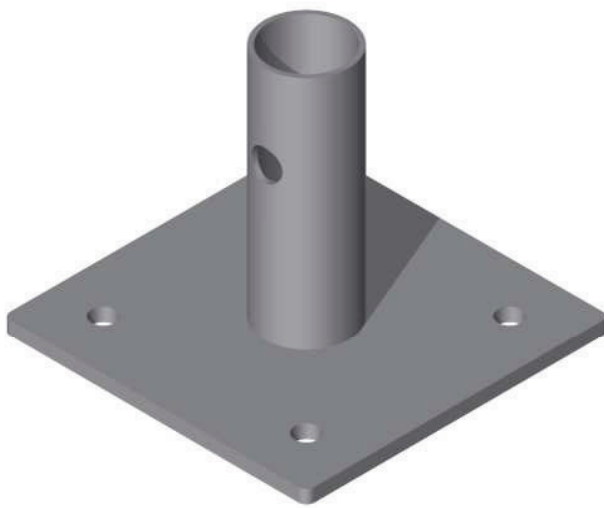
Product Code	Description	Length		Weight	
		Feet	Meters	Lb	Kg
TUG4802	2' x 1.9" OD Plain End Steel Tube	2	0.61	4.98	2.26
TUG4804	4' x 1.9" OD Plain End Steel Tube	4	1.22	9.96	4.52
TUG4806	6' x 1.9" OD Plain End Steel Tube	6	1.83	14.94	6.78
TUG4808	8' x 1.9" OD Plain End Steel Tube	8	2.44	19.92	9.05
TUG4810	10' x 1.9" OD Plain End Steel Tube	10	3.05	24.90	11.31
TUG4813	13' x 1.9" OD Plain End Steel Tube	13	3.96	32.37	14.69
TUA4821	21' x 1.9" OD Plain End Steel Tube	21	6.40	52.29	23.74

Additional sizes available. Call for price and availability.
 Galvanized Tube (TUGxx): 1.9" O.D. Schedule 40

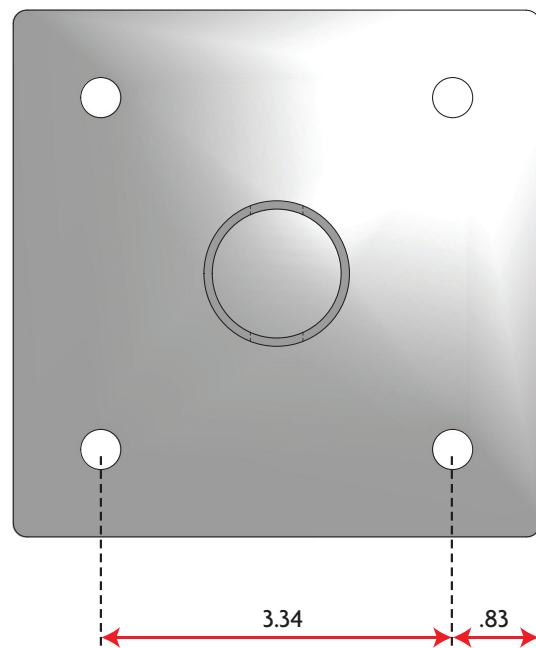
World Headquarters: 6059 South Loop East | Houston, TX 77087

Offices In: California | Maryland | Hong Kong | China | United Kingdom | Latin America | Canada

RIGID BASE PLATE



BPRBC

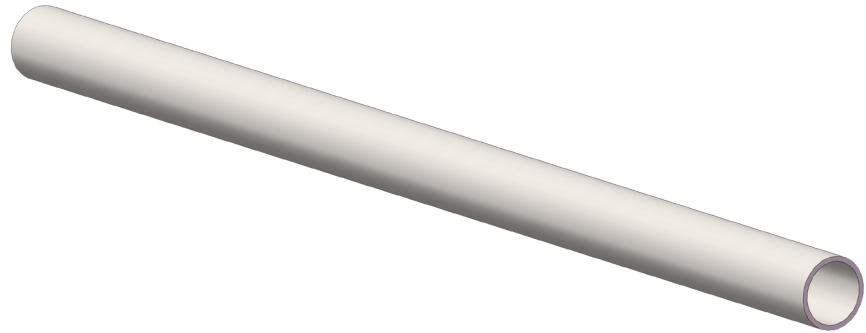
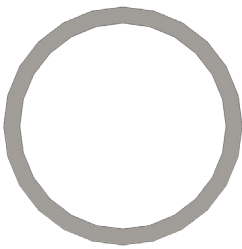


Product Code	Description	Weight	
		Lb	Kg
BPRBC	Base Plate Rigid B & C Size Frames	1.9	0.8

World Headquarters: 6059 South Loop East | Houston, TX 77087

Offices In: California | Maryland | Hong Kong | China | United Kingdom | Latin America | Canada

OPEN END ALUMINUM TUBE



Product Code	Description	Length		Weight	
		Feet	Meters	Lb	Kg
TUA484002	2' x 1.9" OD Plain End Alum Tube	2	0.61	1.88	0.85
TUA484003	3' x 1.9" OD Plain End Alum Tube	3	0.91	2.82	1.28
TUA484004	4' x 1.9" OD Plain End Alum Tube	4	1.22	3.76	1.71
TUA484005	5' x 1.9" OD Plain End Alum Tube	5	1.52	4.70	2.13
TUA484006	6' x 1.9" OD Plain End Alum Tube	6	1.83	5.64	2.56
TUA484008	8' x 1.9" OD Plain End Alum Tube	8	2.44	7.52	3.41
TUA484010	10' x 1.9" OD Plain End Alum Tube	10	3.05	9.40	4.26
TUA484012	12' x 1.9" OD Plain End Alum Tube	12	3.66	11.28	5.12
TUA484014	14' x 1.9" OD Plain End Alum Tube	14	4.27	13.16	5.97
TUA484016	16' x 1.9" OD Plain End Alum Tube	16	4.88	15.04	6.82
TUA484018	18' x 1.9" OD Plain End Alum Tube	18	5.49	16.92	7.68
TUA484020	20' x 1.9" OD Plain End Alum Tube	20	6.10	18.80	8.53

Additional sizes available. Call for price and availability.
 Aluminum Tube (TUAxx): 1.9" O.D. Schedule 40

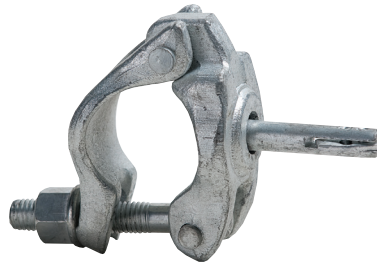
World Headquarters: 6059 South Loop East | Houston, TX 77087

Offices In: California | Maryland | Hong Kong | China | United Kingdom | Latin America | Canada

I-BOLT CLAMPS



CMP1/2



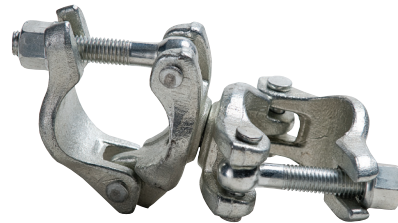
CMP1/2Q



CMP1/2W



CMPRA



CMPSW

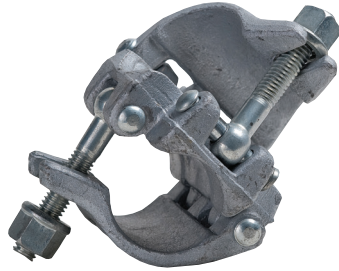
Product Code	Description	Weight	
		Lb	Kg
CMP1/2	1/2 Clamp (I-Bolt)	2.2	1.0
CMP1/2Q*	1/2 Clamp w/Q-Lock	2.4	1.1
CMP1/2W*	1/2 Clamp w/W-Lock	2.5	1.1
CMPRA	Right Angle Clamp (I-Bolt)	3.3	1.5
CMPSW	Swivel Clamp (I-Bolt)	4.4	2.0

*Item not stocked

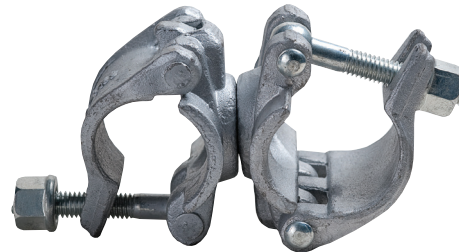
World Headquarters: 6059 South Loop East | Houston, TX 77087

Offices In: California | Maryland | Hong Kong | China | United Kingdom | Latin America | Canada

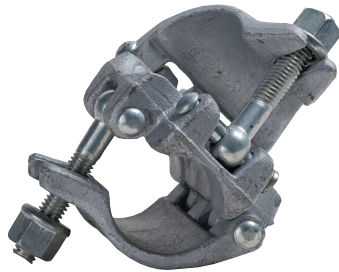
WIDE BODY CLAMPS



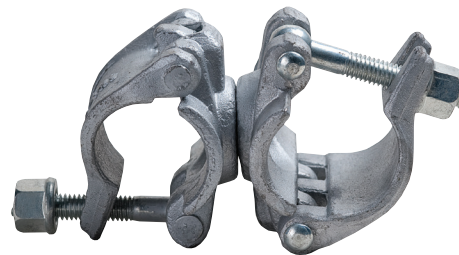
CMP4RA



CMP4SW



CMPNIRA



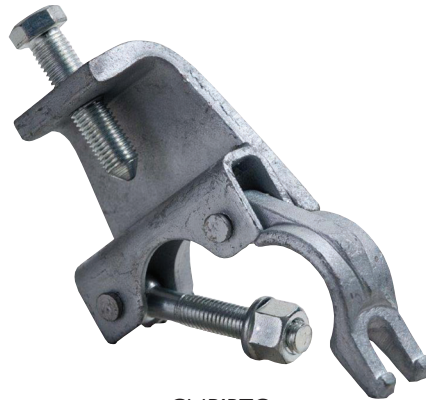
CMPNISW

Product Code	Description	Weight	
		Lb	Kg
CMP4RA	4" Wide Body Right Angle Clamp (I-Bolt)	5.7	2.6
CMP4SW	4" Wide Body Swivel Clamp (I-Bolt)	4.4	2.0
CMPNIRA	4" Wide Body Right Angle Clamp (I-Bolt) - Italy	3.1	1.4
CMPNISW	4" Body Swivel Clamp (I-Bolt) - Italy	3.1	1.4

World Headquarters: 6059 South Loop East | Houston, TX 77087

Offices In: California | Maryland | Hong Kong | China | United Kingdom | Latin America | Canada

BEAM CLAMP



CMPIBTC



CMPIBTCF



CMPIBSF

Product Code	Description	Weight	
		Lb	Kg
CMPIBTC	I-Beam Tube Clamp	3.3	1.5
CMPIBTCF	I-Beam Tube Clamp Forged	3.5	1.6
CMPIBSF	Swivel I-Beam Clamp Forged	4.0	1.8

World Headquarters: 6059 South Loop East | Houston, TX 77087

Offices In: California | Maryland | Hong Kong | China | United Kingdom | Latin America | Canada

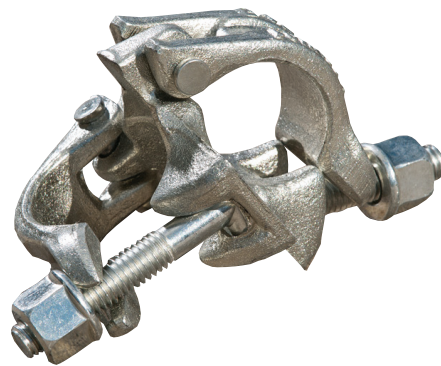
713-673-7701 Phone | 800-720-6629 Toll Free | www.dss.net

[CLICK TO RETURN TO TABLE OF CONTENTS](#)

T-BOLT



CMPTS



CMPTRA

Product Code	Description	Weight	
		Lb	Kg
CMPTRA	T Bolt Right Angle Clamp	3.12	1.41
CMPTS	T Bolt Swivel Clamp	2.8	1.3
CMPT1/2	T Bolt 1/2 Clamp	1.5	0.7
CMPTR2X238	T Bolt Right Angle Clamp 1.9" to 2.375"	3.2	1.46
CMPTS2X238	T Bolt Swivel Clamp 1.9" to 2.375"	3.4	1.55

World Headquarters: 6059 South Loop East | Houston, TX 77087

Offices In: California | Maryland | Hong Kong | China | United Kingdom | Latin America | Canada

WEDGE CLAMPS



CMPWR



CMPWS



CMPW1/2

Product Code	Description	Weight	
		Lb	Kg
CMPWR	Wedge Clamp Right Angle	3.2	1.5
CMPWS	Wedge Clamp Swivel	3.6	1.7
CMPW1/2	1/2 Wedge Clamp	1.8	0.8
CMPWR2XB	Tube to Frame Right Angle Wedge Clamp 1.9" to 1.625"	3.2	1.4
CMPWS2XB	Tube to Frame Swivel Angle Wedge Clamp 1.9" to 1.625"	3.6	1.6
CMPWR2XC	Tube to Frame Right Angle Wedge Clamp 1.9" to 1.69"	3.2	1.4
CMPWS2XC	Tube to Frame Swivel Angle Wedge Clamp 1.9" to 1.69"	3.6	1.6

World Headquarters: 6059 South Loop East | Houston, TX 77087

Offices In: California | Maryland | Hong Kong | China | United Kingdom | Latin America | Canada

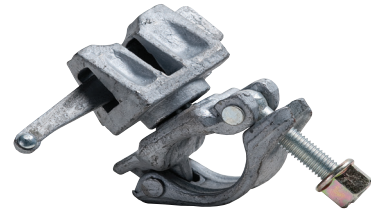
RING SYSTEM ACCESSORY CLAMPS



CMP-RLIHC



CMP-RMPEBR



CMP-RMPEBS



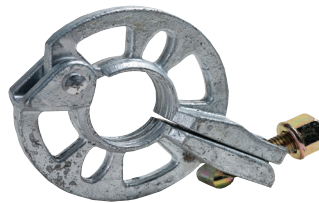
CMP-RMPWCR



CMP-RMPWCS



CMP-RTWC



CMP-RCLB



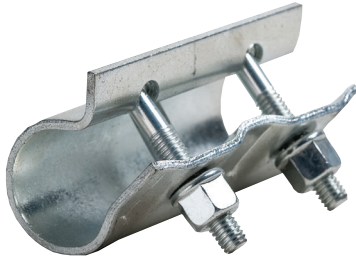
CMP-RCLW

Product Code	Description	Weight	
		Lb	Kg
CMP-RLIHC	Ring Lock Inter. Horizontal Clip	1.8	0.8
CMP-RMPEBR	Ring Mouth Piece w/Rigid Eye-Bolt Clamp	3.23	1.5
CMP-RMPEBS	Ring Mouth Piece w/Swivel Eye-Bolt Clamp	2.9	1.3
CMP-RMPWCR	Ring Mouth Piece w/Rigid Wedge Clamp	3.5	1.6
CMP-RMPWCS	Ring Mouth Piece w/Swivel Wedge Clamp	3.5	1.6
CMP-RTWC	Twin Wedge Coupler Ring Lock	2.6	1.2
CMP-RCLB	Clamp on Rosette Bolt Style	2.6	1.2
CMP-RCLW	Clamp on Rosette Wedge Style	1.8	0.8

World Headquarters: 6059 South Loop East | Houston, TX 77087

Offices In: California | Maryland | Hong Kong | China | United Kingdom | Latin America | Canada

TUBE COUPLERS



CMPSC



CMPSCW



CMPSEP

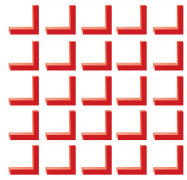


CMPSPL

Product Code	Description	Weight	
		Lb	Kg
CMPSC	Sleeve Coupler Tube Lock	2.7	1.2
CMPSCW	Wedge Style Sleeve Coupler (Joiner)	2.4	1.1
CMPSEP	System Expansion Pin (Forged)	2.6	1.2
CMPSPL	Single Putlog Coupler	1.4	0.7

World Headquarters: 6059 South Loop East | Houston, TX 77087

Offices In: California | Maryland | Hong Kong | China | United Kingdom | Latin America | Canada



SYSTEM SCAFFOLD CATALOG

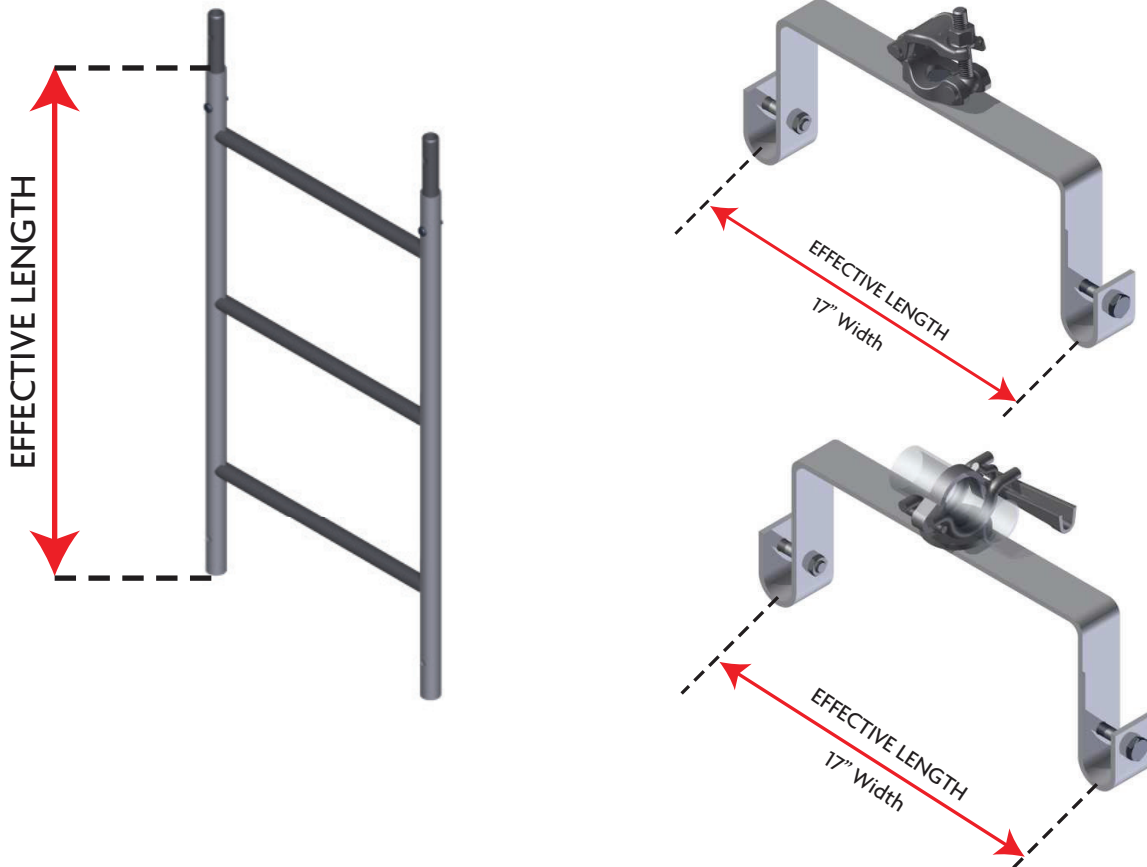


LADDERS SECTION

World Headquarters: 6059 South Loop East | Houston, TX 77087

Offices In: California | Maryland | Hong Kong | China | United Kingdom | Latin America | Canada

17" WIDE LADDER & BRACKET

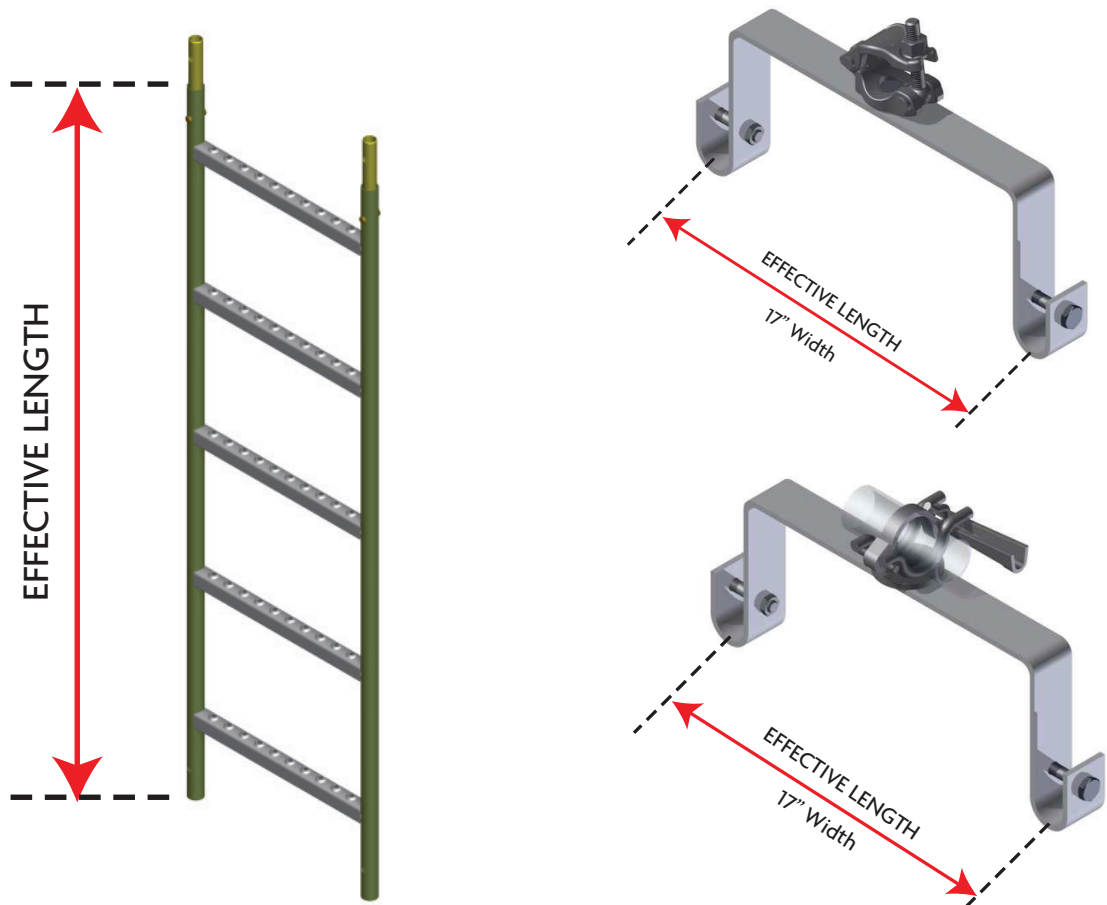


Product Code	Description	Height		Weight	
		Feet	Meters	Lb	Kg
LD17W3	3'-17" Wide Ladder	3.00	0.914	10.6	4.8
LD17W5	5'-17" Wide Ladder	5.00	1.524	17.2	7.80
LD17W6	6'-17" Wide Ladder	6.00	1.829	20.1	9.10
LDB17W	17" Wide Ladder Bracket - 7.25" Deep			8.0	3.62
LDB17WW	17" Wide Ladder Bracket Wedge Style - 7.25" Deep			7.7	3.50
07LDB17W6	17" Ladder Bracket - 6" Deep			6.6	3.00

World Headquarters: 6059 South Loop East | Houston, TX 77087

Offices In: California | Maryland | Hong Kong | China | United Kingdom | Latin America | Canada

17" WIDE NON-SLIP LADDER & BRACKET

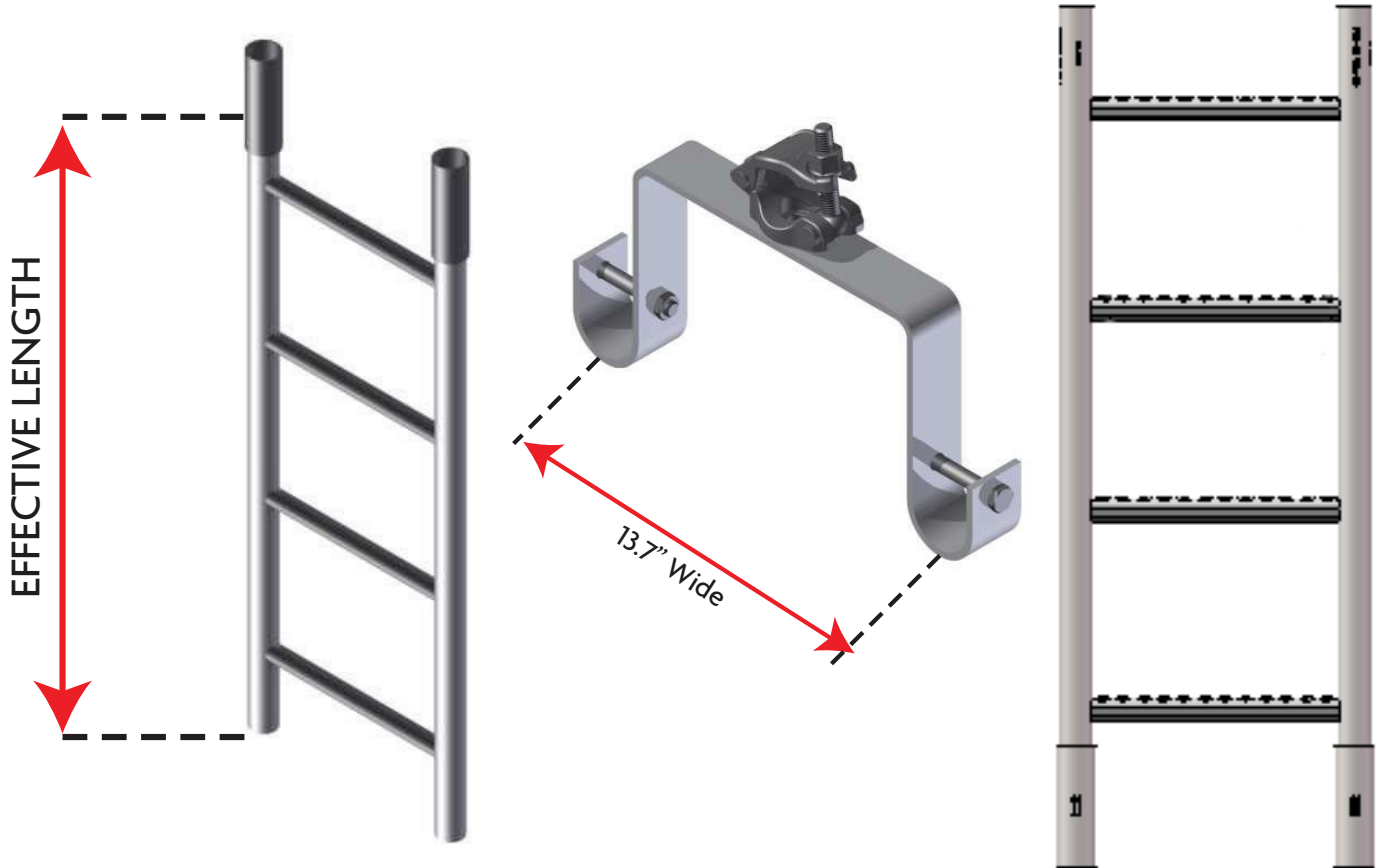


Product Code	Description	Height		Weight	
		Feet	Meters	Lb	Kg
LD17WNS3	3'-17" Wide Non-slip Ladder	3.00	0.914	10.6	4.80
LD17WNS5	5'-17" Wide Non-slip Ladder	5.00	1.524	17.2	7.80
LD17WNS6	6'-17" Wide Non-slip Ladder	6.00	1.829	20.1	9.10
LDB17W	17" Wide Ladder Bracket - 7.25" Deep			8.0	3.62
LDB17W-W	17" Wide Ladder Bracket Wedge Style - 7.25" Deep			7.7	3.50
07LDB17W6	17" Ladder Bracket - 6" Deep			6.6	3.00

World Headquarters: 6059 South Loop East | Houston, TX 77087

Offices In: California | Maryland | Hong Kong | China | United Kingdom | Latin America | Canada

HEAVY DUTY STEEL LADDER & BRACKET

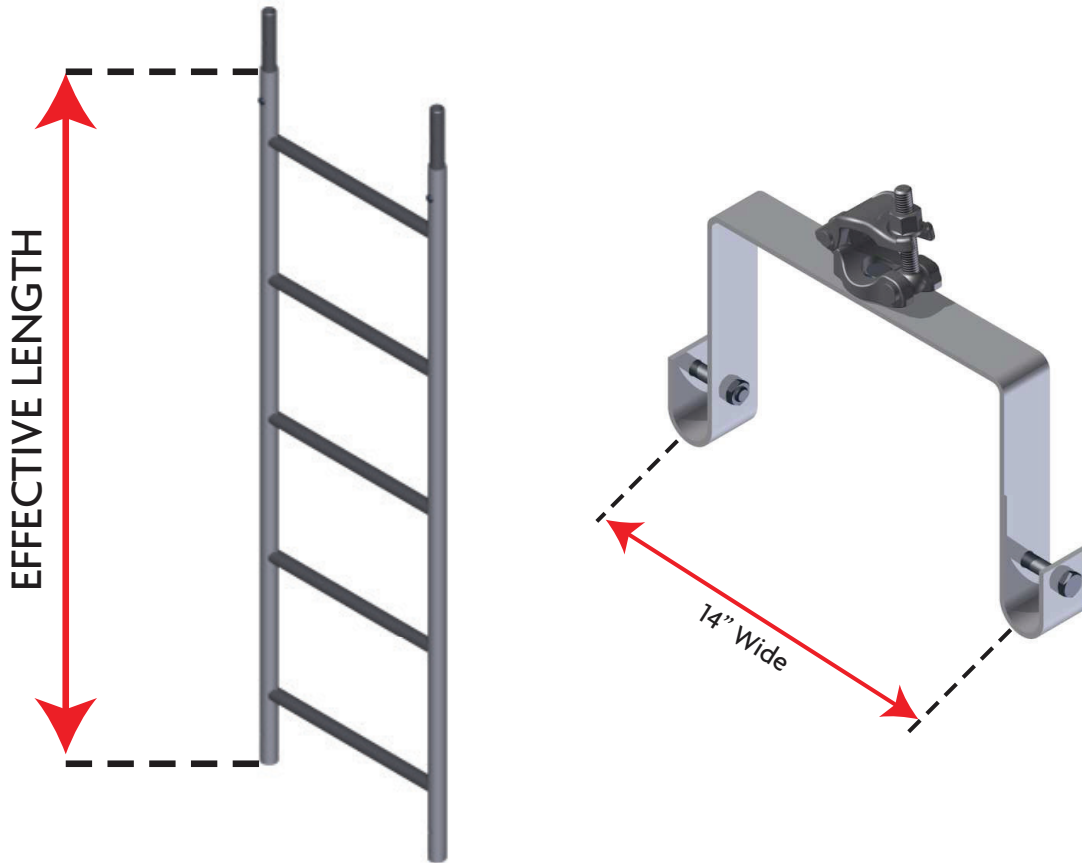


Product Code	Description	Height		Weight	
		Inches	Meters	Lb	Kg
LDCSLW3NS	3' Steel Ladder - 13.7" Wide	39.37	1.00	18.1	8.20
LDCSLW5NS	5' Steel Ladder - 13.7" Wide	59.06	1.50	25.4	11.50
LDCSLW10NS	10' Steel Ladder - 13.7" Wide	118.11	3.00	46.3	21.00
LDCLBWNS	Ladder Bracket - 7.74" Deep			6.8	3.10

World Headquarters: 6059 South Loop East | Houston, TX 77087

Offices In: California | Maryland | Hong Kong | China | United Kingdom | Latin America | Canada

LADDER-RING TYPE



Product Code	Description	Height		Weight	
		Feet	Meters	Lb	Kg
LDRL3	3' Ladder-Ring Type - 14" Wide	3.00	0.914	5.37	2.40
LDRL5	5' Ladder-Ring Type - 14" Wide	5.00	1.524	8.58	3.90
LDRL10	10' Ladder-Ring Type - 14" Wide	10.00	3.050	16.59	7.50
LDRRLBW	Ladder Bracket Ring Type - 9" Deep			6.90	3.17

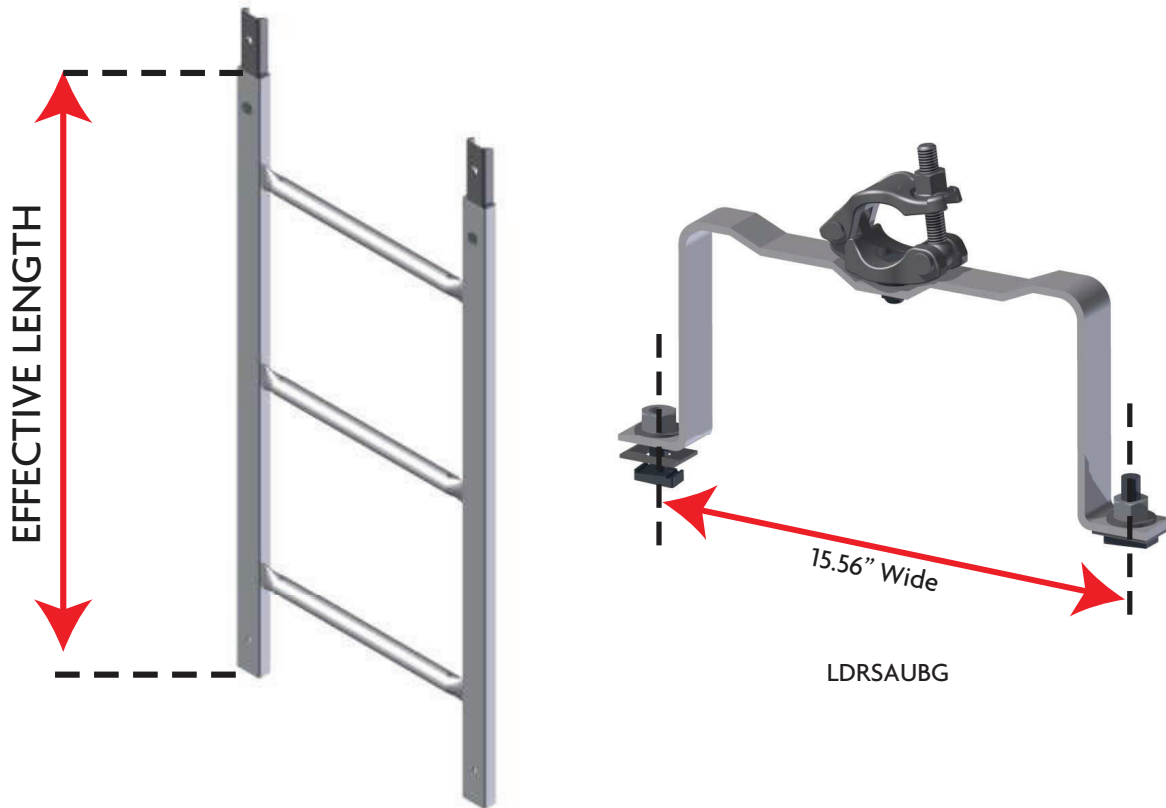
World Headquarters: 6059 South Loop East | Houston, TX 77087

Offices In: California | Maryland | Hong Kong | China | United Kingdom | Latin America | Canada

713-673-7701 Phone | 800-720-6629 Toll Free | www.dss.net

[CLICK TO RETURN TO TABLE OF CONTENTS](#)

SAU CHANNEL STYLE LADDER

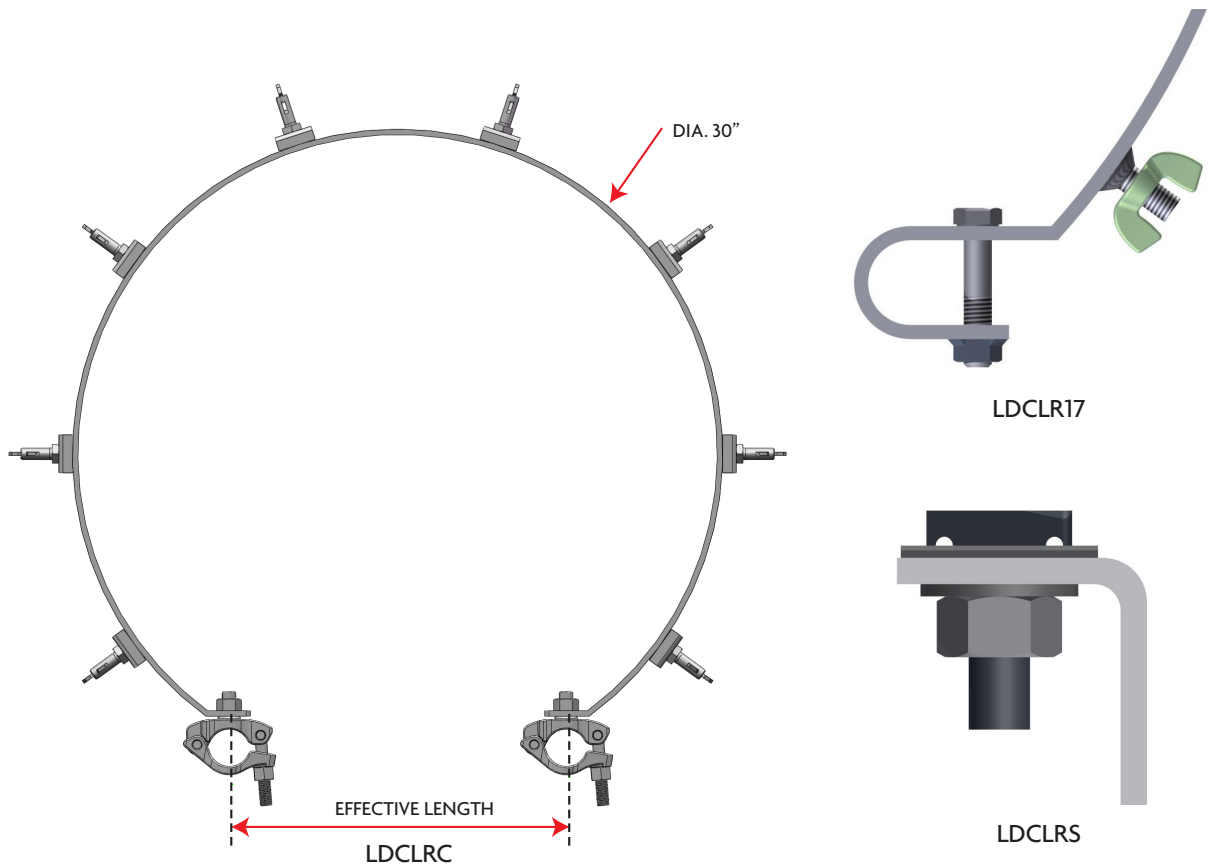


Product Code	Description	Height		Weight	
		Feet	Meters	Lb	Kg
LDRSAU3G	SAU Style 3' Ladder	3.00	0.914	10.6	4.80
LDRSAU6G	SAU Style 6' Ladder	6.00	1.829	19.4	8.80
LDRSAUBG	SAU Style Ladder Bracket			6.4	2.90

World Headquarters: 6059 South Loop East | Houston, TX 77087

Offices In: California | Maryland | Hong Kong | China | United Kingdom | Latin America | Canada

CAGE RINGS



Product Code	Description	Weight	
		Lb	Kg
LDCLR75C	3/4 Ladder Cage Ring w/1/2 Clamp	12.3	5.6
LDCLRC	Ladder Cage Ring w/1/2 Clamp (CAGD)	14.7	6.7
LDCLRS	Ladder Cage Ring w/SAUT Bolt	10.1	4.6

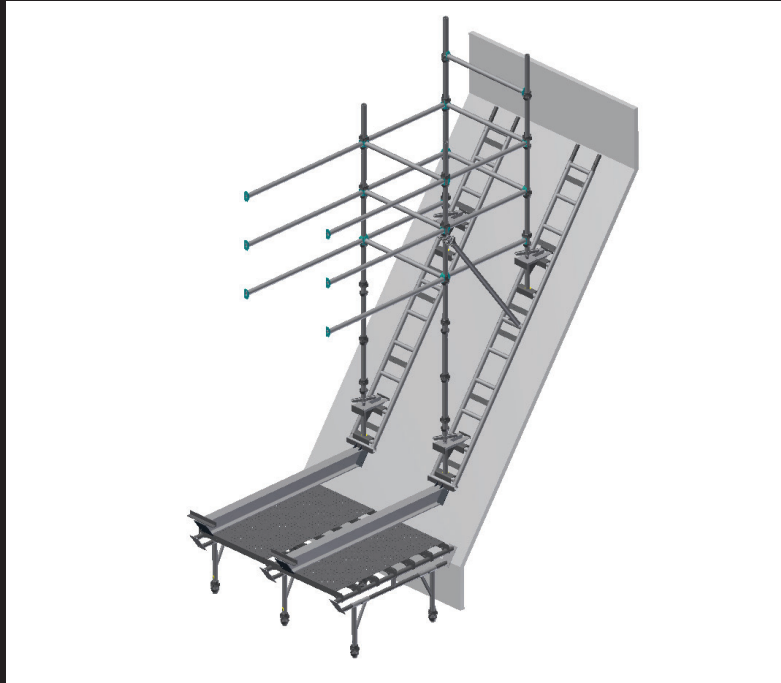
World Headquarters: 6059 South Loop East | Houston, TX 77087

Offices In: California | Maryland | Hong Kong | China | United Kingdom | Latin America | Canada



SYSTEM SCAFFOLD CATALOG
DSSCAT
UPDATED: 07/18/2019

SYSTEM SCAFFOLD CATALOG

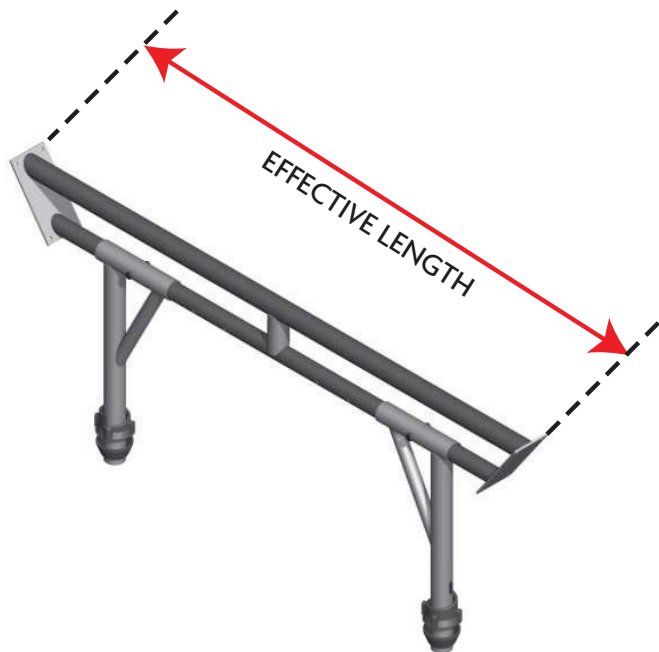


BOILER SYSTEM SECTION

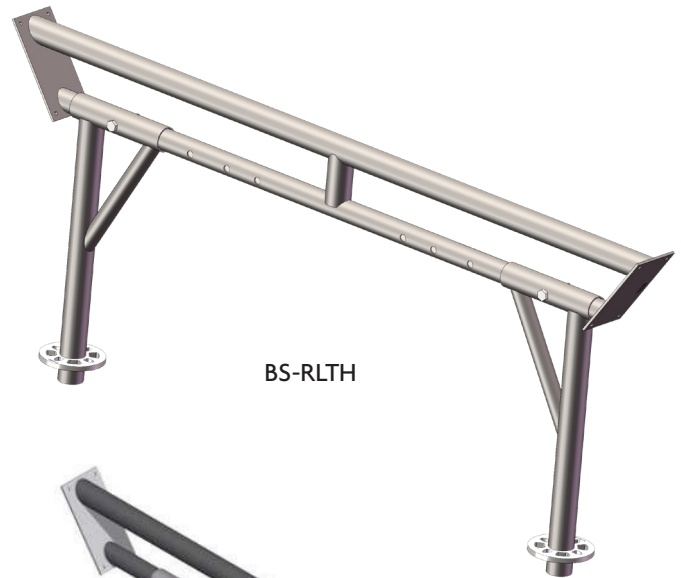
World Headquarters: 6059 South Loop East | Houston, TX 77087

Offices In: California | Maryland | Hong Kong | China | United Kingdom | Latin America | Canada

THROAT HEADER



BS-CLTH



BS-RLTH



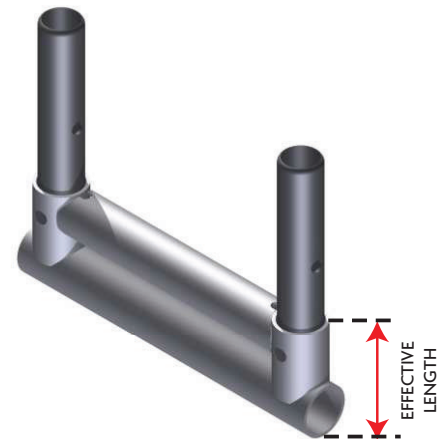
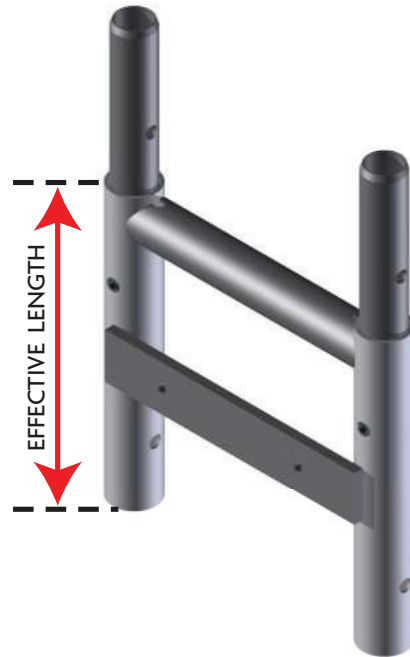
BS-TCTH

Product Code	Description	Effective Length		Weight	
		Inches	Meters	Lb	Kg
BS-CLTH	Cup Lock Throat Header	60.63	1.540	40.1	18.20
BS-TCTH	Throat Header	60.63	1.540	39.9	18.10
BS-RLTH	Ring Lock Throat Header	60.63	1.540	38.6	17.50

World Headquarters: 6059 South Loop East | Houston, TX 77087

Offices In: California | Maryland | Hong Kong | China | United Kingdom | Latin America | Canada

FRAMES & FRAME STARTER



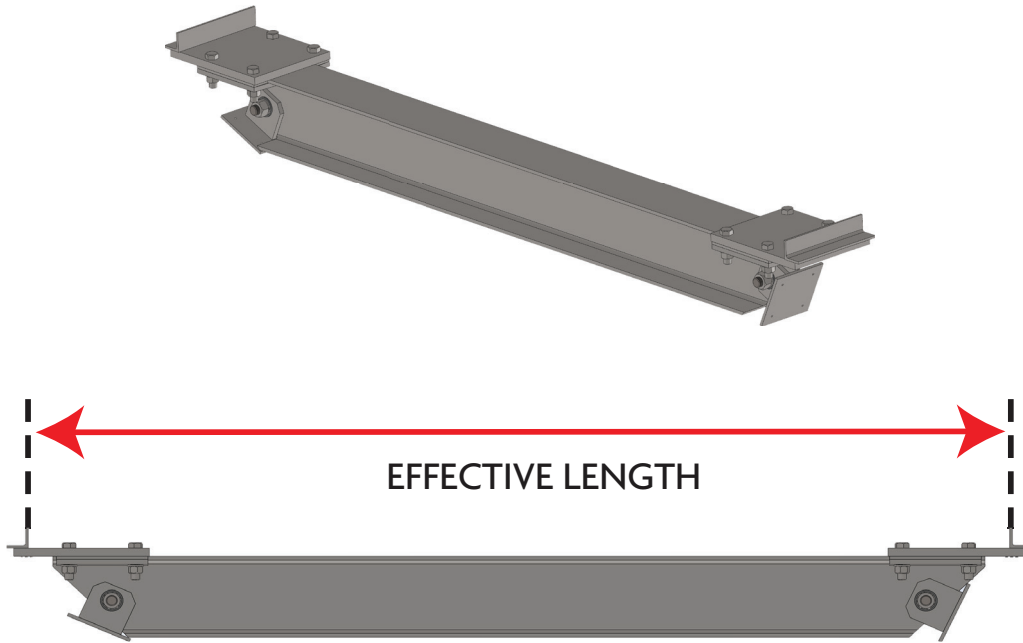
BS-FS

Product Code	Description	Effective Length		Weight	
		Inches	Meters	Lb	Kg
BS-F1	12" Frame	12	0.31	13.4	6.1
BS-F3	36" Frame	36	0.91	29.1	13.2
BS-F5	60" Frame	60	1.52	44.5	20.2
BS-F6	72" Frame	72	1.83	48.5	22.0
BS-FS	Frame Starter			7.5	3.4

World Headquarters: 6059 South Loop East | Houston, TX 77087

Offices In: California | Maryland | Hong Kong | China | United Kingdom | Latin America | Canada

BASE BEAM

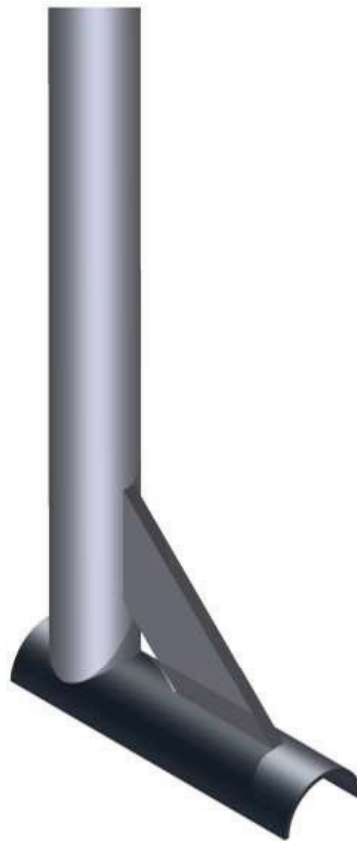


Product Code	Description	Effective Length		Weight	
		Inches	Meters	Lb	Kg
BS-IB04	4' Base Beam	54.13	1.37	105.8	48.0
BS-IB06	6' Base Beam	79.12	2.01	138.4	62.8
BS-IB10	10' Base Beam	123.44	3.14	224.9	102.0

World Headquarters: 6059 South Loop East | Houston, TX 77087

Offices In: California | Maryland | Hong Kong | China | United Kingdom | Latin America | Canada

SADDLE BRACE

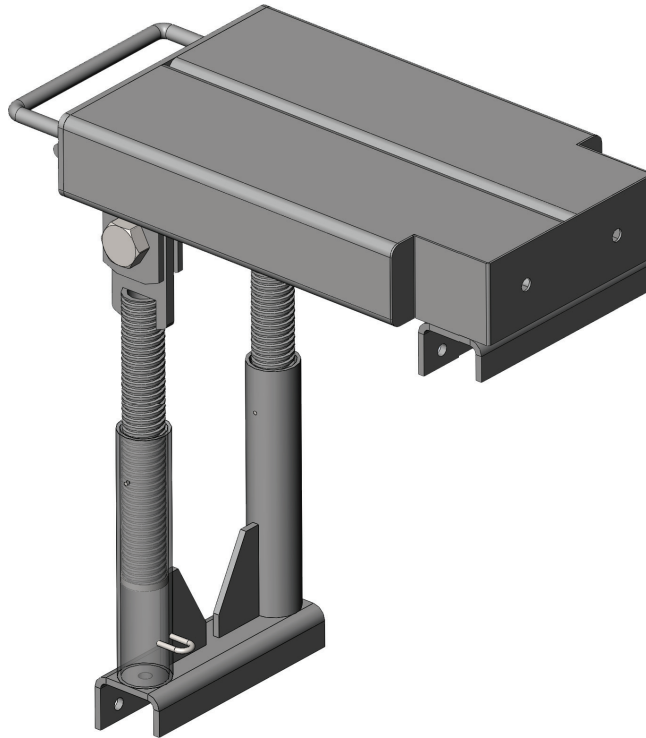


Product Code	Description	Effective Length		Weight	
		Inches	Meters	Lb	Kg
BSSB10	10' Saddle Brace	120	3.05	28.7	13.0

World Headquarters: 6059 South Loop East | Houston, TX 77087

Offices In: California | Maryland | Hong Kong | China | United Kingdom | Latin America | Canada

VEE CHAIR



Product Code	Description	Weight	
		Lb	Kg
BS-AVC	Adjustable Vee Chair	6.88	3.12

World Headquarters: 6059 South Loop East | Houston, TX 77087

Offices In: California | Maryland | Hong Kong | China | United Kingdom | Latin America | Canada

713-673-7701 Phone | 800-720-6629 Toll Free | www.dss.net

[CLICK TO RETURN TO TABLE OF CONTENTS](#)



SYSTEM SCAFFOLD CATALOG
DSSCAT
UPDATED: 07/18/2019

SYSTEM SCAFFOLD CATALOG



WALK BOARD SECTION

World Headquarters: 6059 South Loop East | Houston, TX 77087

Offices In: California | Maryland | Hong Kong | China | United Kingdom | Latin America | Canada

Copyright 2019

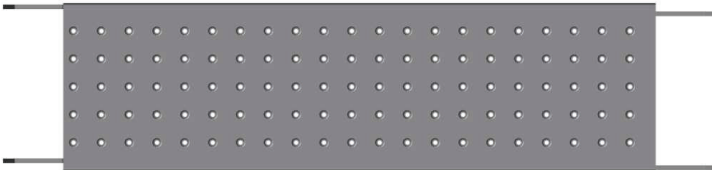
713-673-7701 Phone | 800-720-6629 Toll Free | www.dss.net

[CLICK TO RETURN TO
TABLE OF CONTENTS](#)

WB-1

9" STEEL PLANK

TOP VIEW



FRONT VIEW



Cup Lock Imperial Sizes

Product Code	Description	Bay Length		Weight	
		Inches	Meters	Lb	Kg
WBSSP27	2'-7" Steel Plank	31	0.79	13.5	6.1
WBSSP3	3' Steel Plank	36	0.91	15.7	7.1
WBSSP36	3'-6" Steel Plank	42	1.07	17.1	7.7
WBSSP4	4' Steel Plank	48	1.22	19	8.6
WBSSP5	5' Steel Plank	60	1.52	23.2	10.5
WBSSP6	6' Steel Plank	72	1.83	26.5	12
WBSSP7	7' Steel Plank	84	2.13	31.2	14.2
WBSSP8	8' Steel Plank	96	2.44	35.4	16.1
WBSSP9	9' Steel Plank	108	2.74	39.8	18.1
WBSSP10	10' Steel Plank	120	3.05	42.9	19.5

Cup Lock Metric Sizes

Product Code	Description	Bay Length		Weight	
		Inches	Meters	Lb	Kg
WBSSP27	2'-7" Steel Plank	31	0.79	13.5	6.1
WBSSP211	2'-11" Steel Plank	35	0.9	14.5	6.6
WBSSP36	3'-6" Steel Plank	42	1.07	17.1	7.7
WBSSP41	4'-1" Steel Plank	49	1.25	19.1	8.7
WBSSP411	4'-11" Steel Plank	59	1.5	22.2	10.1
WBSSP511	5'-11" Steel Plank	71	1.8	24.9	11.3
WBSSP7	7' Steel Plank	84	2.13	31.2	14.2
WBSSP82	8'-2" Steel Plank	98	2.5	37.1	16.9
WBSSP10	10' Steel Plank	120	3.05	42.9	19.5

Ring Lock Imperial Sizes

Product Code	Description	Bay Length		Weight	
		Inches	Meters	Lb	Kg
WBSSP3	3' Steel Plank	36	0.91	15.7	7.1
WBSSP36	3'-6" Steel Plank	42	1.07	17.1	7.7
WBSSP4	4' Steel Plank	48	1.22	19	8.6
WBSSP5	5' Steel Plank	60	1.52	23.2	10.5
WBSSP6	6' Steel Plank	72	1.83	26.5	12

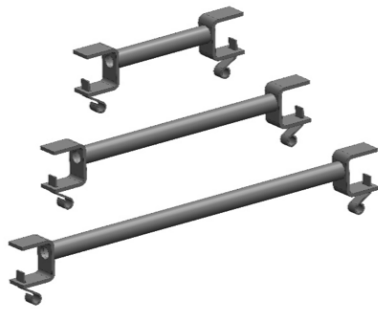
Ring Lock Imperial Sizes - Cont.

Product Code	Description	Bay Length		Weight	
		Inches	Meters	Lb	Kg
WBSSP7	7' Steel Plank	84	2.13	31.2	14.2
WBSSP8	8' Steel Plank	96	2.44	35.4	16.1
WBSSP9	9' Steel Plank	108	2.74	39.8	18.1
WBSSP10	10' Steel Plank	120	3.05	42.9	19.5

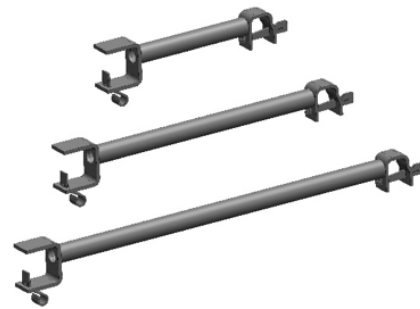
World Headquarters: 6059 South Loop East | Houston, TX 77087

Offices In: California | Maryland | Hong Kong | China | United Kingdom | Latin America | Canada

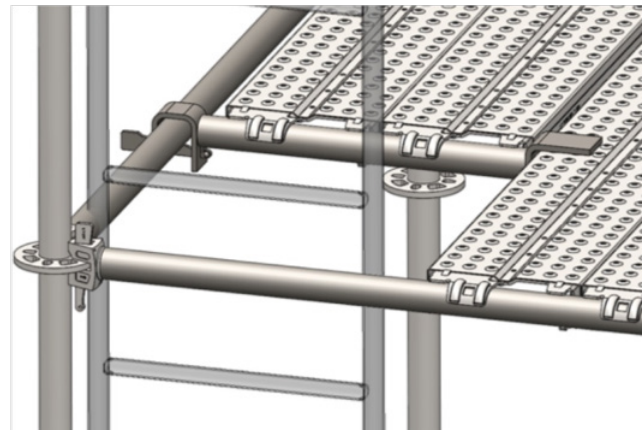
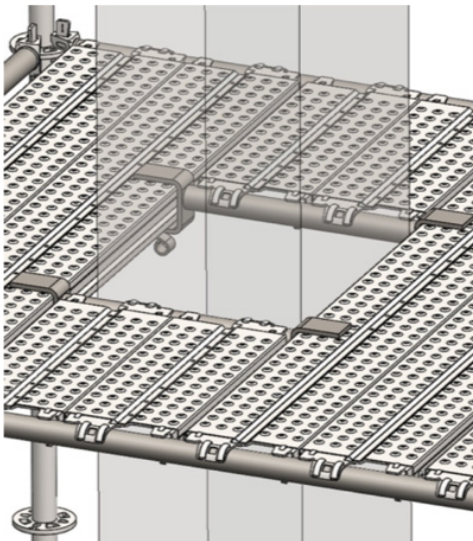
WBCS INTERMEDIATE TRANSOM



WBCSPTI-xPP



WBCSPTI-xLP



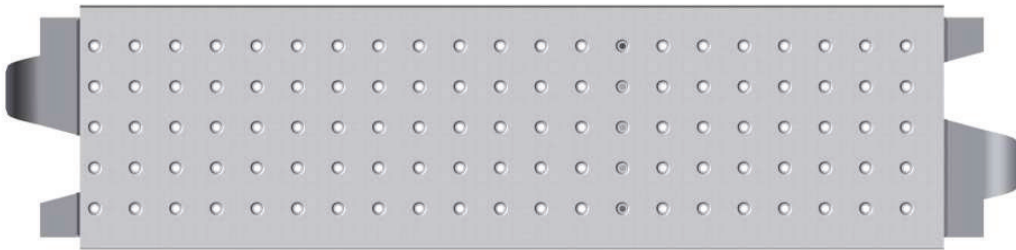
Product Code	Description	Planks Needed	Weight	
			Lb	Kg
WBCSTI1PP	WBCS Intermediate Transom, Plank to Plank, 1 Plank	1	7.87	3.57
WBCSTI2PP	WBCS Intermediate Transom, Plank to Plank, 2 Plank	2	9.70	4.40
WBCSTI3PP	WBCS Intermediate Transom, Plank to Plank, 3 Plank	3	11.49	5.21
WBCSTI1LP	WBCS Intermediate Transom, Ledger to Plank, 1 Plank	1	6.77	3.07
WBCSTI2LP	WBCS Intermediate Transom, Ledger to Plank, 2 Plank	2	8.60	3.90
WBCSTI3LP	WBCS Intermediate Transom, Ledger to Plank, 3 Plank	3	10.39	4.71

World Headquarters: 6059 South Loop East | Houston, TX 77087

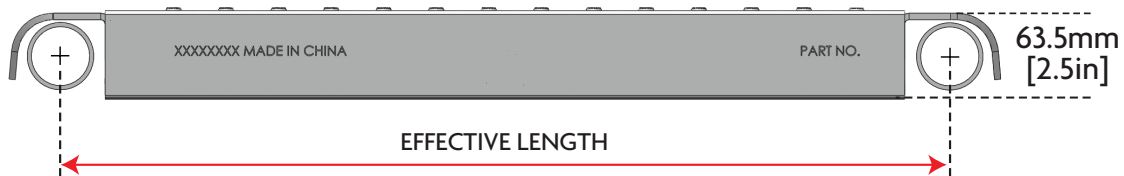
Offices In: California | Maryland | Hong Kong | China | United Kingdom | Latin America | Canada

9" LOW PROFILE STEEL PLANK

TOP VIEW



FRONT VIEW



Product Code	Description	Effective Length		Weight	
		Inches	Meters	Lb	Kg
WBDEP110	1'-10" Low Profile Steel Plank	22.03	0.560	10.7	4.9
WBDEP27	2'-7" Low Profile Steel Plank	31.03	0.788	13.6	6.2
WBDEP3	3' Low Profile Steel Plank	36.00	0.914	15.7	7.1
WBDEP36S	3'-6" Low Profile Steel Plank	42.00	1.067	17.2	7.8
WBDEP36RL	3'-6.8" Low Profile Steel Plank	42.83	1.088	17.2	7.8
WBDEP39	3'-9" Low Profile Steel Plank	45.28	1.150	18.5	8.4
WBDEP4	4' Low Profile Steel Plank	48.03	1.220	19.4	8.8
WBDEP43RL	4'-3" Low Profile Steel Plank Ring Lock	50.36	1.286	19.3	8.8
WBDEP43CL	4'-3" Low Profile Steel Plank Cup Lock	51.88	1.300	20.8	9.5
WBDEP410	4'-10" Low Profile Steel Plank	58.43	1.484	21.6	9.8
WBDEP5	5' Low Profile Steel Plank	60.00	1.524	23.4	10.6
WBDEP52	5'-2" Low Profile Steel Plank	61.89	1.572	22.0	10.0

World Headquarters: 6059 South Loop East | Houston, TX 77087

Offices In: California | Maryland | Hong Kong | China | United Kingdom | Latin America | Canada

713-673-7701 Phone | 800-720-6629 Toll Free | www.dss.net

[CLICK TO RETURN TO TABLE OF CONTENTS](#)



9" LOW PROFILE STEEL PLANK

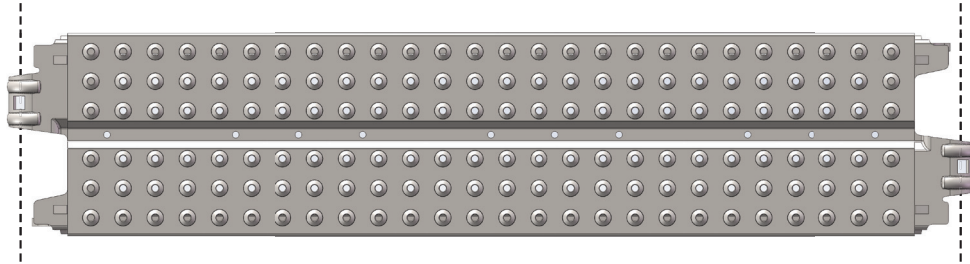
Product Code	Description	Effective Length		Weight	
		Inches	Meters	Lb	Kg
WBDEP511	5'-11" Low Profile Steel Plank	70.87	1.800	27.3	12.4
WBDEP6	6' Low Profile Steel Plank	72.00	1.829	27.5	12.5
WBDEP69	6'-9" Low Profile Steel Plank	81.57	2.072	29.3	13.3
WBDEP7	7' Low Profile Steel Plank	84.00	2.134	31.4	14.3
WBDEP8	8' Low Profile Steel Plank	96.06	2.440	36.5	16.6
WBDEP82	8'-2" Low Profile Steel Plank	98.42	2.500	37.0	16.8
WBDEP86	8'-6" Low Profile Steel Plank	101.26	2.572	38.1	17.3
WBDEP9	9' Low Profile Steel Plank	108.00	2.743	40.1	18.2
WBDEP100	10' Low Profile Steel Plank	120.12	3.051	44.1	20

World Headquarters: 6059 South Loop East | Houston, TX 77087

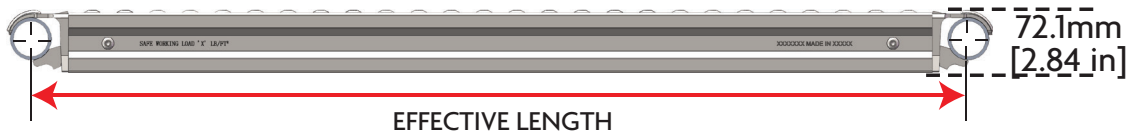
Offices In: California | Maryland | Hong Kong | China | United Kingdom | Latin America | Canada

9-1/2" LOW PROFILE STEEL PLANK

TOP VIEW



FRONT VIEW



Imperial Sizes					
Product Code	Description	Effective Length		Weight	
		Inches	Meters	Lb	Kg
WBCS20	2' Low Profile Steel Plank	24.02	0.610	11.2	5.1
WBCS25	2'-5" Low Profile Steel Plank	29.13	0.740	12.5	5.7
WBCS26	2'-6" Low Profile Steel Plank	29.53	0.750	12.9	5.9
WBCS36	3'-6" Low Profile Steel Plank	42.83	1.088	17.4	7.9
WBCS50	5' Low Profile Steel Plank	60.00	1.524	21.9	9.9
WBCS60	6' Low Profile Steel Plank	72.01	1.829	26.1	11.8
WBCS80	8' Low Profile Steel Plank	96.06	2.440	33.7	15.3
WBCS100	10' Low Profile Steel Plank	120.12	3.051	41.4	18.8

Canadian Sizes					
Product Code	Description	Effective Length		Weight	
		Inches	Meters	Lb	Kg
WBCS22	2'-2" Low Profile Steel Plank	25.59	0.650	10.8	4.9
WBCS36S	3'-6" Low Profile Steel Plank	41.93	1.065	17.0	7.7
WBCS39	3'-9" Low Profile Steel Plank	45.28	1.150	16.6	7.6
WBCS52	5'-2" Low Profile Steel Plank	61.89	1.572	21.6	9.8
WBCS70	7' Low Profile Steel Plank	83.86	2.130	29.3	13.3

Note: Custom sizes available, minimum order may be required.

World Headquarters: 6059 South Loop East | Houston, TX 77087

Offices In: California | Maryland | Hong Kong | China | United Kingdom | Latin America | Canada

713-673-7701 Phone | 800-720-6629 Toll Free | www.dss.net

[CLICK TO RETURN TO TABLE OF CONTENTS](#)

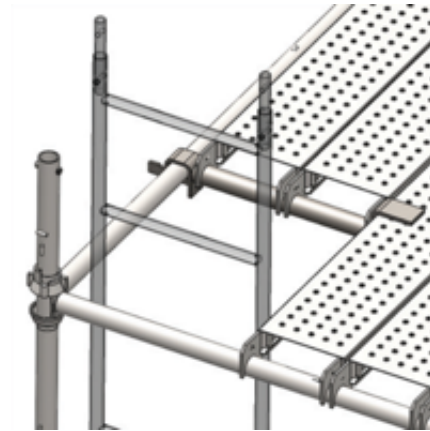
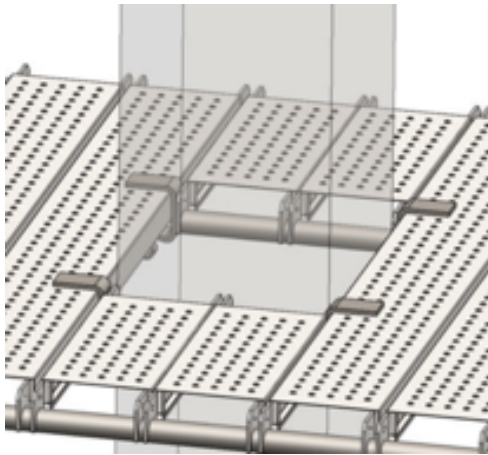
WBSSP INTERMEDIATE TRANSOM



WB-SSP-TI-xPP



WB-SSP-TI-xLP

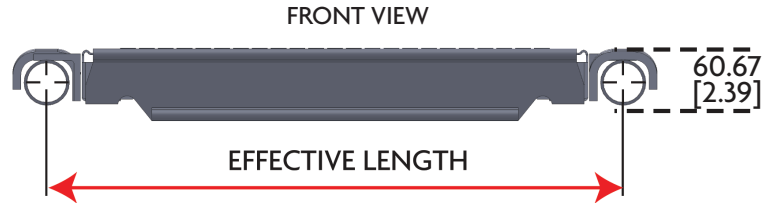
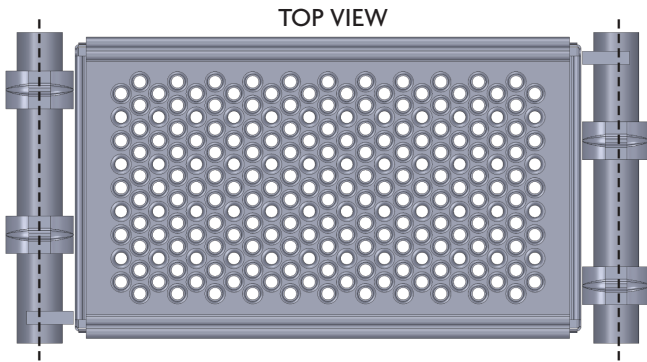


Product Code	Description	Planks Needed	Weight	
			Lb	Kg
WBSSPTI1PP	WBSSP Intermediate Transom, Plank to Plank, 1 Plank	1	7.89	3.58
WBSSPTI2PP	WBSSP Intermediate Transom, Plank to Plank, 2 Plank	2	9.59	4.35
WBSSPTI3PP	WBSSP Intermediate Transom, Plank to Plank, 3 Plank	3	11.27	5.11
WBSSPTI1LP	WBSSP Intermediate Transom, Ledger to Plank, 1 Plank	1	6.66	3.02
WBSSPTI2LP	WBSSP Intermediate Transom, Ledger to Plank, 2 Plank	2	8.38	3.80
WBSSPTI3LP	WBSSP Intermediate Transom, Ledger to Plank, 3 Plank	3	10.05	4.56

World Headquarters: 6059 South Loop East | Houston, TX 77087

Offices In: California | Maryland | Hong Kong | China | United Kingdom | Latin America | Canada

12-1/2" STEEL PLANK



Imperial Sizes					
Product Code	Description	Effective Length		Weight	
		Inches	Meters	Lb	Kg
WBSWP2	2' Plank w/Hooks	24.02	0.610	14.3	6.5
WBSWP24	2'-4" Plank w/Hooks	28.82	0.732	16.6	7.5
WBSWP211	2'-11" Plank w/Hooks	34.65	0.880	18.8	8.5
WBSWP3	3' Plank w/Hooks	35.98	0.914	21.4	9.7
WBSWP33	3'-3" Plank w/Hooks	38.98	0.990	21.4	9.7
WBSWP36	3'-6" Plank w/Hooks	42.83	1.088	23.3	10.6
WBSWP4	4' Plank w/Hooks	48.03	1.220	27.3	12.4
WBSWP43	4'-3" Plank w/Hooks	50.63	1.286	27.3	12.4
WBSWP47	4'-7" Plank w/Hooks	55.12	1.400	28.2	12.8
WBSWP410	4'-10" Plank w/Hooks	58.43	1.484	29.1	13.2
WBSWP411	4'-11" Plank w/Hooks	59.05	1.500	29.1	13.2
WBSWP5	5' Plank w/Hooks	60.00	1.524	29.3	13.3
WBSWP6	6' Plank w/Hooks	72.00	1.829	37.5	17.0

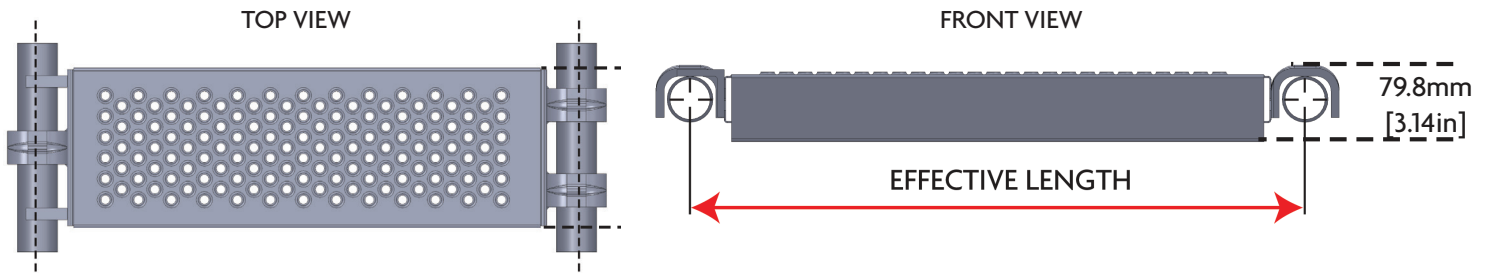
Imperial Sizes Cont.					
Product Code	Description	Effective Length		Weight	
		Inches	Meters	Lb	Kg
WBSWP69	6'-9" Plank w/Hooks	81.57	2.072	40.0	18.2
WBSWP8	8' Plank w/Hooks	96.06	2.440	48.2	21.9
WBSWP86	8'-6" Plank w/Hooks	101.26	2.572	49.0	22.2
WBSWP9	9' Plank w/Hooks	107.99	2.743	53.0	24.1
WBSWP910	9'-10" Plank w/Hooks	118.11	3.000	55.8	25.3
WBSWP101	10'-1" Plank w/Hooks	120.87	3.070	60.8	27.6

Canadian Sizes					
Product Code	Description	Effective Length		Weight	
		Inches	Meters	Lb	Kg
WBSWP22	2'-2" Plank w/Hooks	25.59	0.650	15.9	7.2
WBSWP36S	3'-6" Plank w/Hooks	41.93	1.065	22.9	10.4
WBSWP39	3'-9" Plank w/Hooks	45.28	1.150	25.6	11.6
WBSWP52	5'-2" Plank w/Hooks	61.89	1.572	31.2	14.2
WBSWP7	7' Plank w/Hooks	83.86	2.130	41.3	18.7
WBSWP100	10' Plank w/Hooks	120.12	3.051	57.7	26.2

World Headquarters: 6059 South Loop East | Houston, TX 77087

Offices In: California | Maryland | Hong Kong | China | United Kingdom | Latin America | Canada

7-9/16" FILLER STEEL PLANK



Imperial Sizes

Product Code	Description	Effective Length		Weight	
		Inches	Meters	Lb	Kg
WBSWPF20	2'-0" Filler Plank w/Hooks	24.02	0.610	15.5	7.0
WBSWPF24	2'-4" Filler Plank w/Hooks	28.82	0.732	17.0	7.7
WBSWPF211	2'-11" Filler Plank w/Hooks	34.65	0.880	18.9	8.6
WBSWPF30	3'-0" Filler Plank w/Hooks	35.98	0.914	19.4	8.8
WBSWPF33	3'-3" Filler Plank w/Hooks	38.98	0.990	20.3	9.2
WBSWPF36	3'-6" Filler Plank w/Hooks	42.83	1.088	21.6	9.8
WBSWPF40	4'-0" Filler Plank w/Hooks	48.03	1.220	23.3	10.6
WBSWPF43	4'-3" Filler Plank w/Hooks	50.63	1.286	23.4	10.6
WBSWPF410	4'-10" Filler Plank w/Hooks	58.43	1.484	26.6	12.1
WBSWPF50	5'-0" Filler Plank w/Hooks	60.00	1.524	27.1	12.3
WBSWPF60	6'-0" Filler Plank w/Hooks	72.00	1.829	32.0	14.5
WBSWPF69	6'-9" Filler Plank w/Hooks	81.57	2.072	34.8	15.8
WBSWPF70	7' Filler Plank w/Hooks	83.86	2.130	36.8	16.7
WBSWPF86	8'-6" Filler Plank w/Hooks	101.26	2.572	39.2	17.8
WBSWPF90	9'-0" Filler Plank w/Hooks	107.99	2.743	41.7	18.9
WBSWPF101	10'-1" Filler Plank w/Hooks	120.87	3.070	44.8	20.3

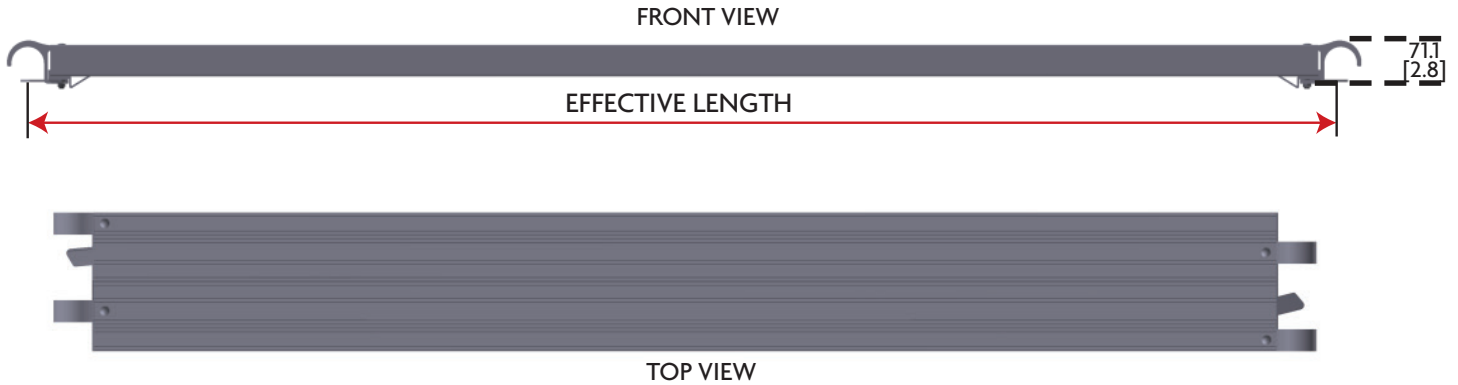
Canadian Sizes

Product Code	Description	Effective Length		Weight	
		Inches	Meters	Lb	Kg
WBSWPF22	2'-2" Filler Plank w/Hooks	25.59	0.650	16.0	7.3
WBSWPF36S	3'-6" Filler Plank w/Hooks	41.93	1.065	21.4	9.7
WBSWPF39	3'-9" Filler Plank w/Hooks	45.28	1.150	16.8	7.6
WBSWPF40	4'-0" Filler Plank w/Hooks	48.03	1.220	23.3	10.6
WBSWPF43	4'-3" Filler Plank w/Hooks	50.63	1.286	23.4	10.6
WBSWPF410	4'-10" Filler Plank w/Hooks	58.43	1.484	26.6	12.1
WBSWPF50	5'-0" Filler Plank w/Hooks	60.00	1.524	27.1	12.3
WBSWPF52	5'-2" Filler Plank w/Hooks	61.89	1.572	27.6	12.5
WBSWPF100	10' Filler Plank w/Hooks	120.12	3.051	44.1	20.0

World Headquarters: 6059 South Loop East | Houston, TX 77087

Offices In: California | Maryland | Hong Kong | China | United Kingdom | Latin America | Canada

9.5" ALL ALUMINUM WALK BOARD

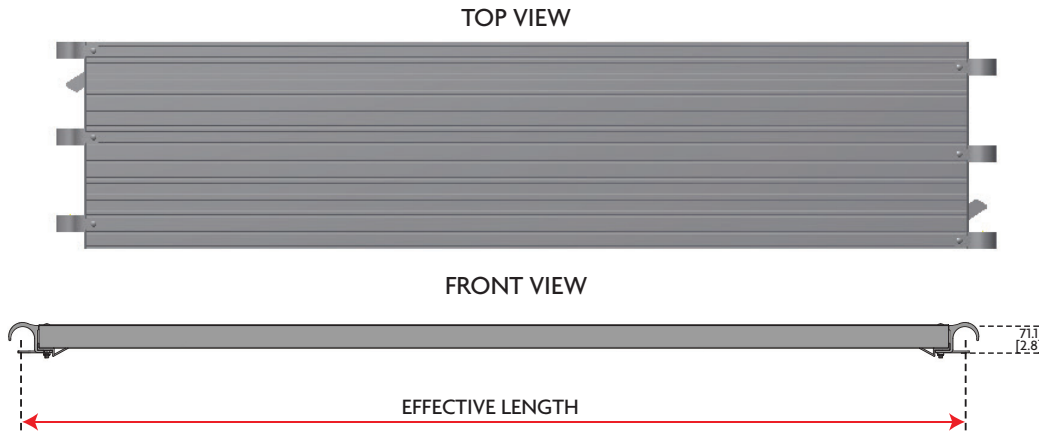


Product Code	Description	Effective Length		Weight	
		Inches	Meters	Lb	Kg
WBAA953	9.5"X3' All Alumn Walk Board	36.00	0.914	7.7	3.5
WBAA9536S	9.5"X3'-6" All Alumn Walk Board	41.97	1.066	7.9	3.6
WBAA9539	9.5"X3'-9" All Alumn Walk Board	45.28	1.150	9.0	4.1
WBAA954	9.5"x4' All Alumn Walk Board	48.00	1.220	9.3	4.2
WBAA955	9.5"x5' All Alumn Walk Board	60.00	1.524	11.0	5.0
WBAA9552	9.5"x5'-2" All Alumn Walk Board	61.89	1.572	11.4	5.2
WBAA9555	9.5"x5'-5" All Alumn Walk Board	65.00	1.651	11.8	5.4
WBAA956	9.5"x6' All Alumn Walk Board	72.00	1.829	12.8	5.8
WBAA957	9.5"x7' All Alumn Walk Board	84.00	2.134	14.6	6.6
WBAA958	9.5"x8' All Alumn Walk Board	96.00	2.438	16.2	7.3
WBAA9586	9.5"x8'-6" All Alumn Walk Board	101.26	2.572	17.2	7.8
WBAA9510	9.5"x10' All Alumn Walk Board	120.00	3.048	19.4	8.8

World Headquarters: 6059 South Loop East | Houston, TX 77087

Offices In: California | Maryland | Hong Kong | China | United Kingdom | Latin America | Canada

19" ALL ALUMINUM PLANK



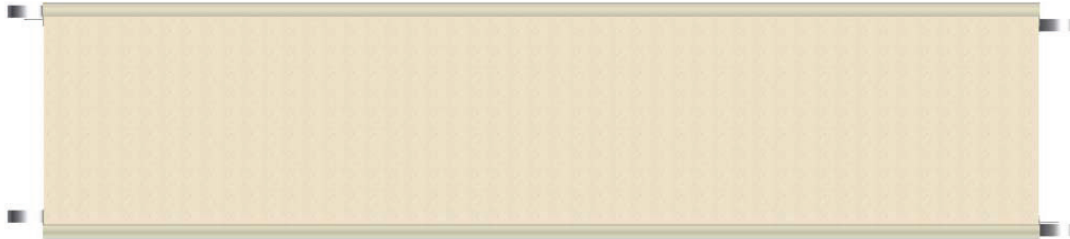
Product Code	Description	Effective Length		Weight	
		Inches	Meters	Lb	Kg
WBAA192	19" x 2' All Alumn Walk Board	24.00	0.610	11.6	5.3
WBAA1922	19" x 2'2" All Alumn Walk Board	25.59	0.650	12.5	5.7
WBAA19211	19" x 2'-11" All Alumn Walk Board	34.65	0.880	14.1	6.4
WBAA193	19" x 3' All Alumn Walk Board	36.00	0.914	14.6	6.6
WBAA1936S	19" x 3'-6" All Alumn Walk Board	41.97	1.066	17.3	7.9
WBAA1939	19" x 3'-9" All Alumn Walk Board	45.28	1.150	17.6	8.0
WBAA194	19" x 4' All Alumn Walk Board	48.00	1.220	17.9	8.1
WBAA195	19" x 5' All Alumn Walk Board	60.00	1.524	21.0	9.5
WBAA1952	19" x 5'-2" All Aluminum Walk Board	61.89	1.572	22.1	10.0
WBAA1955	19" x 5'-5" All Aluminum Walk Board	65.00	1.651	22.5	10.2
WBAA196	19" x 6' All Aluminum Walk Board	72.00	1.829	24.9	11.3
WBAA197	19" x 7' All Aluminum Walk Board	84.00	2.134	28.1	12.7
WBAA198	19" x 8' All Aluminum Walk Board	96.00	2.438	31.5	14.3
WBAA1986	19" x 8'-6" All Aluminum Walk Board	101.26	2.572	33.1	15.0
WBAA199	19" x 9' All Aluminum Walk Board	108.00	2.743	35.3	16.0
WBAA1910	19" x 10' All Aluminum Walk Board	120.00	3.048	39.3	17.8

World Headquarters: 6059 South Loop East | Houston, TX 77087

Offices In: California | Maryland | Hong Kong | China | United Kingdom | Latin America | Canada

19" ALUMINUM PLYWOOD BOARD

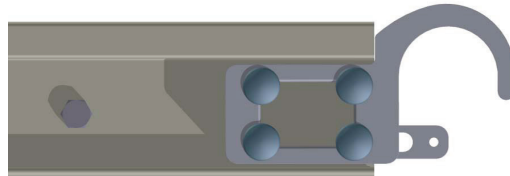
TOP VIEW



FRONT VIEW



H Hook



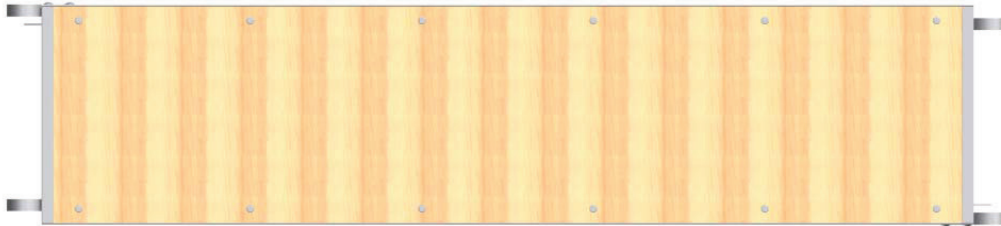
Product Code	Description	Effective Length		Weight	
		Inches	Meters	Lb	Kg
WBAP1939H1	19"x3'-9" Aluminum Plywood Board	45	1.14	19.3	8.8
WBAP1952H1	19"x5'-2" Aluminum Plywood Board	62	1.57	25.4	11.5
WBAP197H1	19"x7' Aluminum Plywood Board	84	2.13	33.5	15.2
WBAP198H1	19"x8' Aluminum Plywood Board	96	2.44	37.6	17.1
WBAP1910H1	19"x10' Aluminum Plywood Board	120	3.05	43.7	19.8

World Headquarters: 6059 South Loop East | Houston, TX 77087

Offices In: California | Maryland | Hong Kong | China | United Kingdom | Latin America | Canada

19" ALUMINUM PLYWOOD BOARD

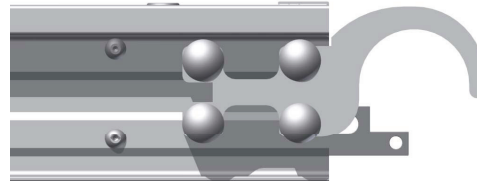
TOP VIEW



FRONT VIEW



Hook Type 2



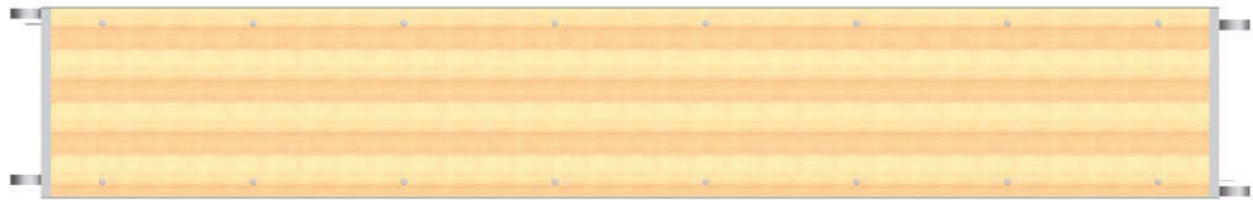
Product Code	Description	Effective Length		Weight	
		Inches	Meters	Lb	Kg
WBAP1939H2	19"x3'-9" Aluminum Plywood Walk Board	45	1.14	19.3	8.8
WBAP1952H2	19"x5'-2" Aluminum Plywood Walk Board	62	1.57	25.4	11.5
WBAP197H2	19"x7' Aluminum Plywood Walk Board	84	2.13	33.5	15.2
WBAP198H2	19"x8' Aluminum Plywood Walk Board	96	2.44	37.6	17.1
WBAP1910H2	19"x10' Aluminum Plywood Walk Board	120	3.05	43.7	19.8

World Headquarters: 6059 South Loop East | Houston, TX 77087

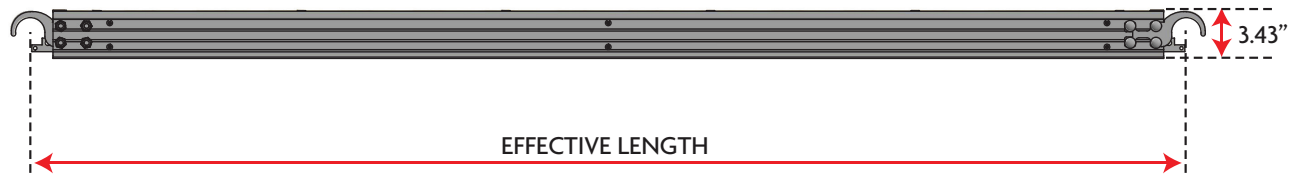
Offices In: California | Maryland | Hong Kong | China | United Kingdom | Latin America | Canada

19" WIDE ALUMINUM DEEP RAIL PLYWOOD BOARD

TOP VIEW



FRONT VIEW



H2 - Standard Hook



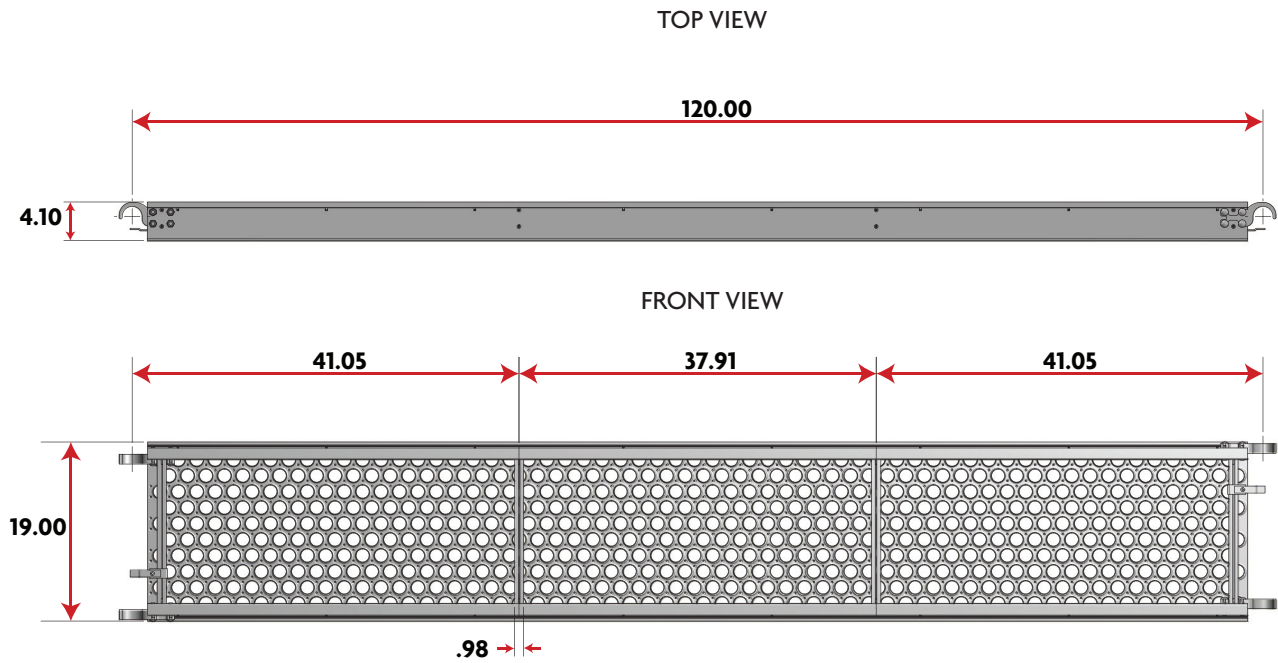
H1 - Hook is Available Upon Request

Product Code	Description	Effective Length		Weight	
		Inches	Meters	Lb	Kg
WBAP1910DRH2	19" Wide Aluminum Deep Rail Plywood Board	120	3.05	51	23

World Headquarters: 6059 South Loop East | Houston, TX 77087

Offices In: California | Maryland | Hong Kong | China | United Kingdom | Latin America | Canada

19" WIDE ALUMINUM DEEP RAIL STEEL TOP BOARD



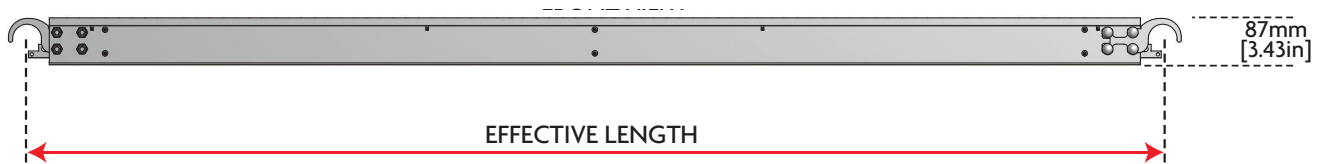
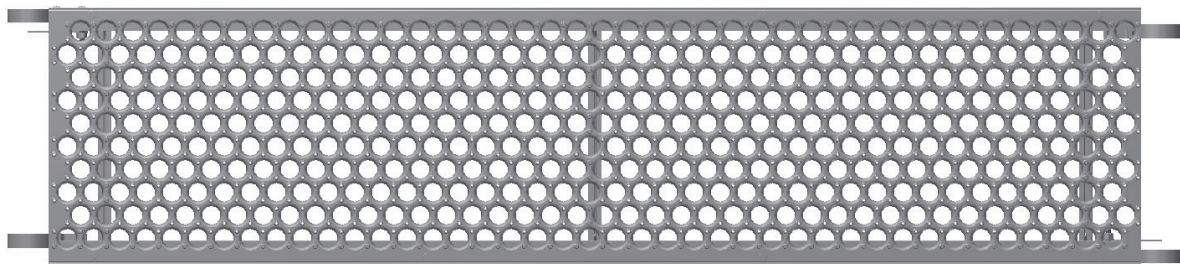
Product Code	Description	Effective Length		Weight	
		Inches	Meters	Lb	Kg
WBAS1910DR-H2	19" Wide Aluminum Deep Rail Steel Top Board	120	3.05	48.5	22.0

World Headquarters: 6059 South Loop East | Houston, TX 77087

Offices In: California | Maryland | Hong Kong | China | United Kingdom | Latin America | Canada

19" WIDE ALUMINUM FRAME STEEL DECK

TOP VIEW

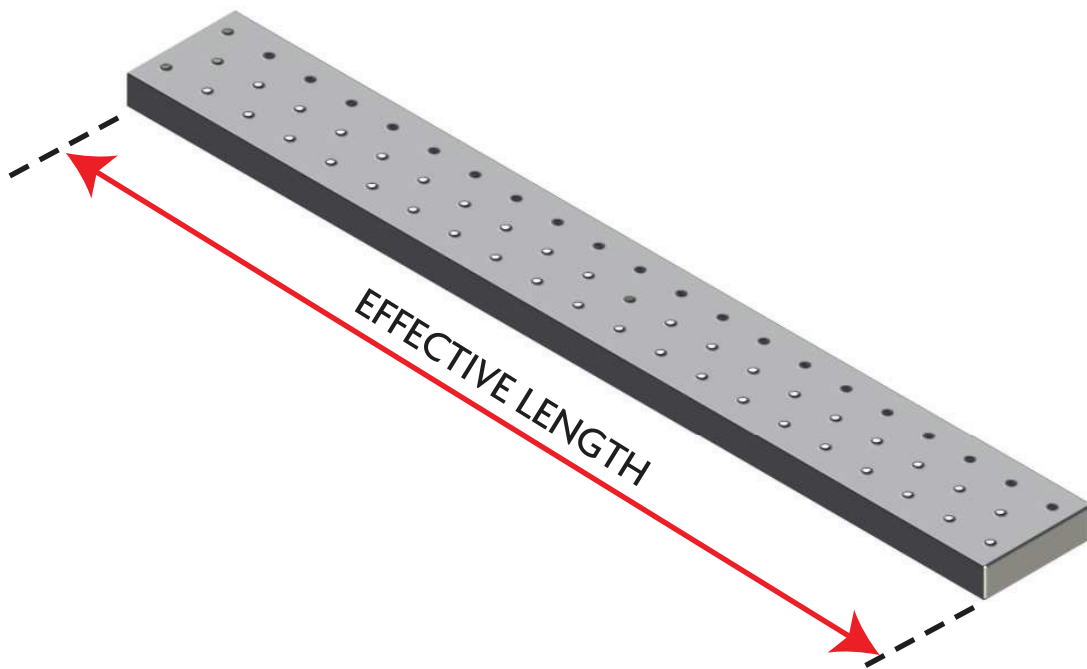


Product Code	Description	Effective Length		Weight	
		Inches	Meters	Lb	Kg
WBAS1939H2	19"x3'-9" Walk Board	45	1.14	21.01	9.6
WBAS194H2	19"x4' Walk Board	48	1.22		
WBAS195H2	19"x5' Walk Board	60	1.52		
WBAS1952H2	19"x5'-2" Walk Board	62	1.57	26.1	11.9
WBAS197H2	19"x7' Walk Board	84	2.13	34.2	15.5
WBAS1910H2	19"x10' Walk Board	120	3.05	48.5	22

World Headquarters: 6059 South Loop East | Houston, TX 77087

Offices In: California | Maryland | Hong Kong | China | United Kingdom | Latin America | Canada

9" STEEL BATON BOARD



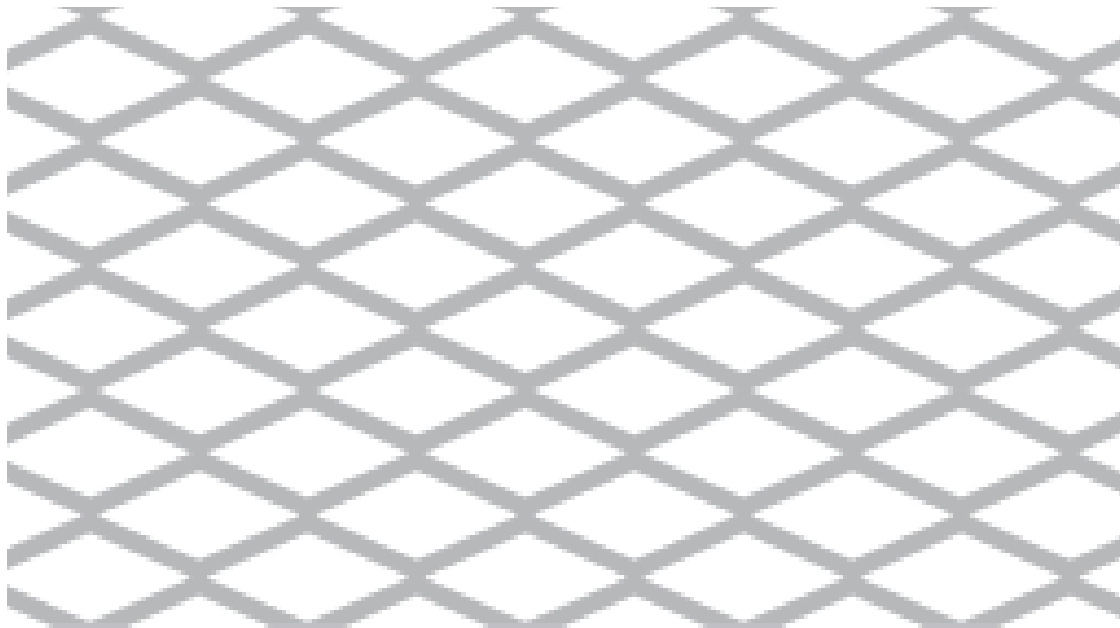
Product Code	Description	Effective Length		Weight	
		Inches	Meters	Lb	Kg
WBBB43*	4'-3" Baton Board	49.21	1.250	16.1	7.3
WBBB511*	5'-11" Baton Board	68.90	1.750	23.1	10.5
WBBB711*	7'-11" Baton Board	92.52	2.350	30.4	13.8
WBBB82*	8'-2" Baton Board	96.46	2.450	33.1	15.0
WBBB910*	9'-10" Baton Board	116.14	2.950	40.1	18.2

*Item not stocked

World Headquarters: 6059 South Loop East | Houston, TX 77087

Offices In: California | Maryland | Hong Kong | China | United Kingdom | Latin America | Canada

CATWALK GRATING



Product Code	Description	Width		Length		Weight	
		Inches	Meters	Inches	Meters	Lb	Kg
EMG31224	1'x2' Catwalk Grating	12	0.3	24	0.61	5.3	2.4
EMG32424	2'x2' Catwalk Grating	24	0.61	24	0.61	10.6	4.8
EMG31248	1'x4' Catwalk Grating	12	0.03	48	1.22	10.6	4.8
EMG32448	2'x4' Catwalk Grating	24	0.61	48	1.22	21.2	9.6

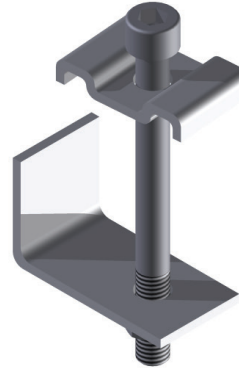
World Headquarters: 6059 South Loop East | Houston, TX 77087

Offices In: California | Maryland | Hong Kong | China | United Kingdom | Latin America | Canada

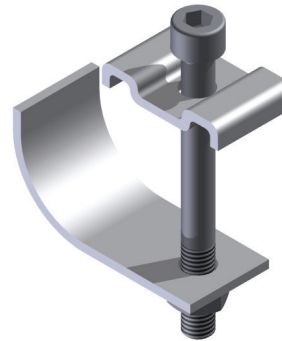
CATWALK GRATING CLIPS



EMG3PSLC



EMG3USLC

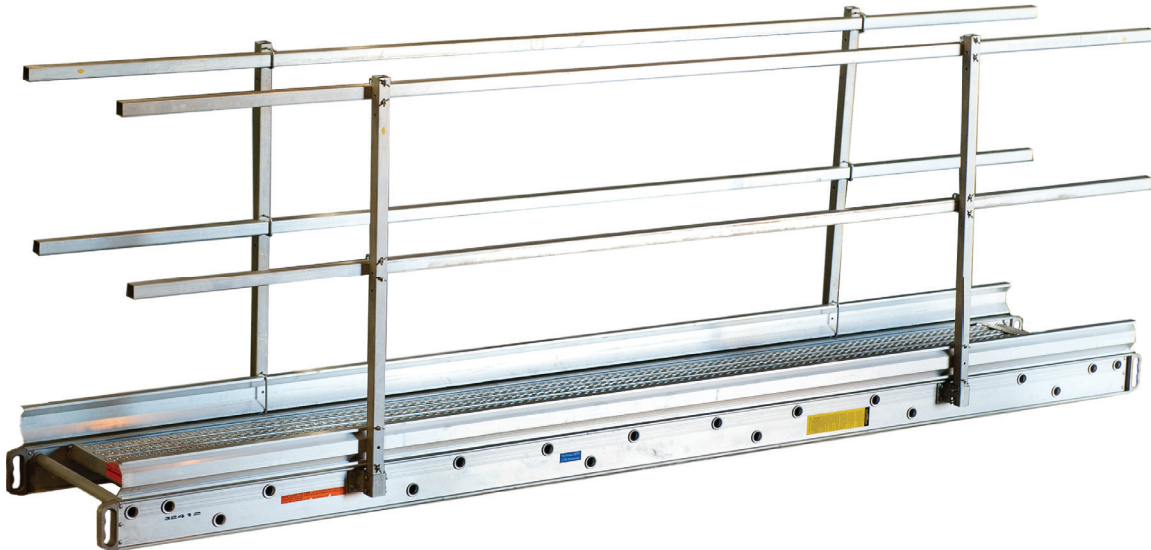


Product Code	Description	Weight	
		Lb	Kg
EMG3PSLC	Catwalk Grating Clip	0.04	0.02
EMG3USLC	Catwalk Grating Universal Clip	0.04	0.02

World Headquarters: 6059 South Loop East | Houston, TX 77087

Offices In: California | Maryland | Hong Kong | China | United Kingdom | Latin America | Canada

STAGE BOARDS



ALUMINUM PLANK - TWO MAN UNIT 500 L.B. DUTY RAILING

Length (Ft.)	Rail Depth (In.)	12" Wide		24" Wide		28" Wide	
		Part #	Weight	Part #	Weight	Part #	Weight
12	3.5	PB21212	36 lbs	PB22412	48 lbs	PB22812	53 lbs
16	4.5	PB21216	53 lbs	PB22416	72 lbs	PB22816	79 lbs
20	5.25	PB21220	77 lbs	PB22420	99 lbs	PB22820	110 lbs
24	5.25	PB21224	91 lbs	PB22424	114 lbs	PB22824	130 lbs
28	6	-	-	PB22428	155 lbs	PB22828	170 lbs
32	6	-	-	PB22432	177 lbs	PB22832	192 lbs
36	6.5	-	-	PB22436	241 lbs	PB22836	260 lbs
39	6.5	-	-	PB22440	268 lbs	PB22840	288 lbs

NOTE: Stage Boards do not come with guardrails. Please contact the DSS office for guardrail package information.

World Headquarters: 6059 South Loop East | Houston, TX 77087

Offices In: California | Maryland | Hong Kong | China | United Kingdom | Latin America | Canada



STAGE BOARDS

ALUMINUM PLANK - THREE MAN UNIT 750 L.B. DUTY RAILING

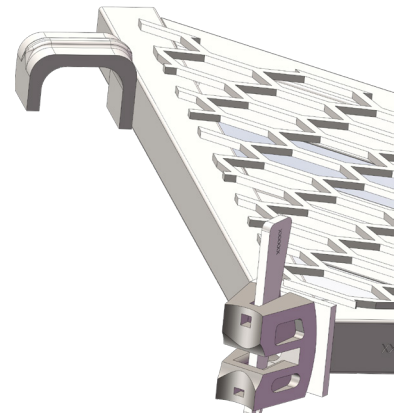
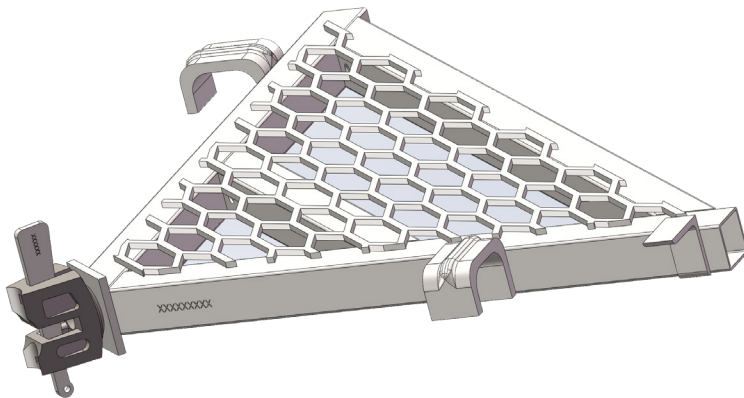
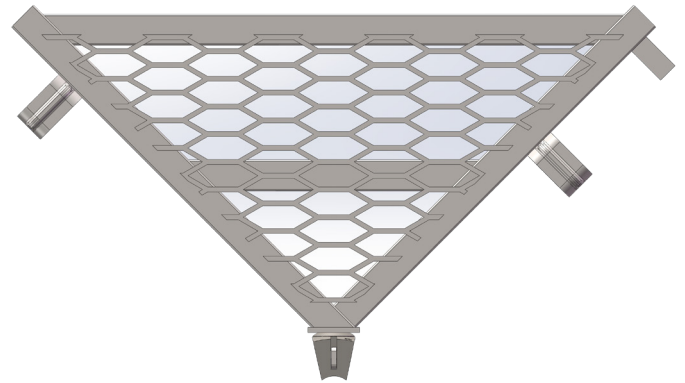
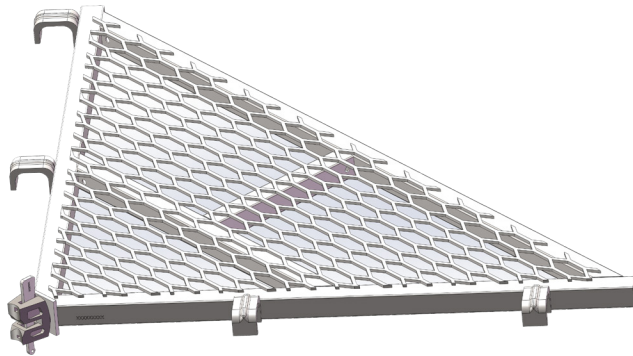
Length (Ft.)	Rail Depth (In.)	24" Wide		28" Wide	
		Part #	Weight	Part #	Weight
12	5.30	PB32412	65	PB32812	74
16	5.30	PB32416	80	PB32816	90
20	6.04	PB32420	111	PB32820	121
24	6.04	PB32424	133	PB32824	145
28	6.54	PB32428	188	PB32828	200
32	6.54	PB32432	243	PB32832	262
36	7.00	PB32436	273	PB32836	294
39	7.00	PB32439	305	PB32839	357

NOTE: Stage Boards do not come with guardrails. Please contact the DSS office for guardrail package information.

World Headquarters: 6059 South Loop East | Houston, TX 77087

Offices In: California | Maryland | Hong Kong | China | United Kingdom | Latin America | Canada

CORNER BRACKET WALKBOARD



Product Code	Description	Effective Length		Weight	
		Inches	Meters	Lb	Kg
WBCBRL22	2'-2" Corner Bracket	25.59	.650	20.3	9.2
WBCBRL39	3'-9" Corner Bracket	45.28	1.150	40.9	18.6

Work with Horizontals and Board Brackets the listed length or longer.

World Headquarters: 6059 South Loop East | Houston, TX 77087

Offices In: California | Maryland | Hong Kong | China | United Kingdom | Latin America | Canada

28" HATCH PLANK W/ ALUMINUM LADDER



Product Code	Description	Effective Length		Weight	
		Inches	Meters	Lb	Kg
WBAPSH287TH-H2	28" x 7" Aluminum Plywood Hatch Plank w/ Aluminum Ladder	84	2.13	72.8	33
WBAPSH2810TH-H2	28" x 10" Aluminum Plywood Hatch Plank w/ Aluminum Ladder	120	3.05	90.8	41.2

Product Code	Description	Effective Length		Weight	
		Inches	Meters	Lb	Kg
WBAASH287TH-H2	28" x 7" All Aluminum Hatch Plank w/ Aluminum Ladder	84	2.13	82	37.2
WBAASH2810TH-H2	28" x 10" All Aluminum Hatch Plank w/ Aluminum Ladder	120	3.05	104.1	47.2

World Headquarters: 6059 South Loop East | Houston, TX 77087

Offices In: California | Maryland | Hong Kong | China | United Kingdom | Latin America | Canada