

The DSS Enclosure System Panels (ESP) are engineered to enhance security and manageability for standard scaffold configurations using DSS cup lock and ring lock systems.

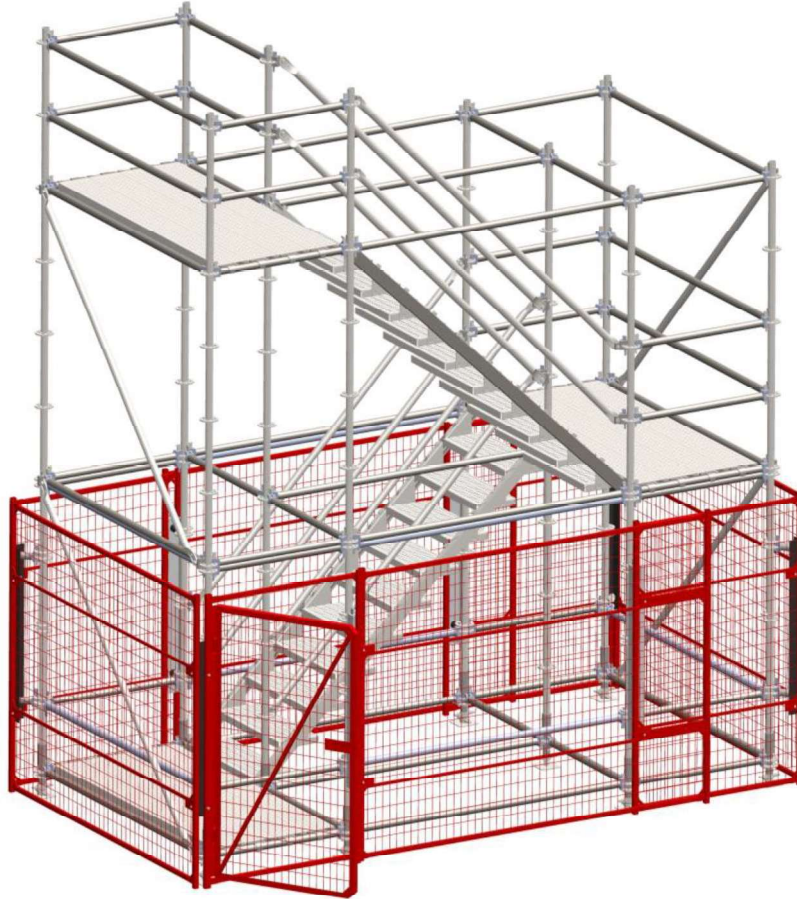


Fig 1. Use of Enclosure System with a Stair Tower.

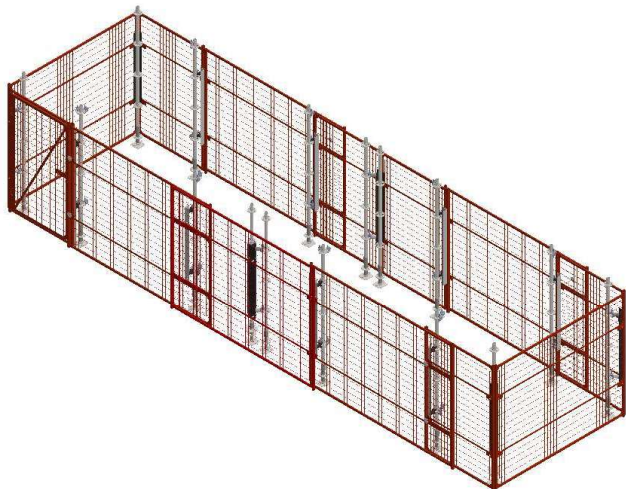


Fig 2. Use of Enclosure System with multiple bays.

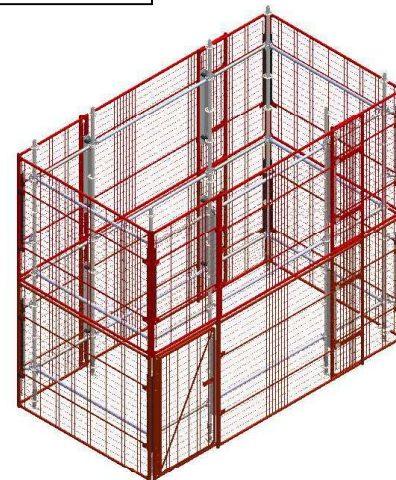


Fig 3. Use of stacked Enclosure

## SYSTEM COMPONENTS

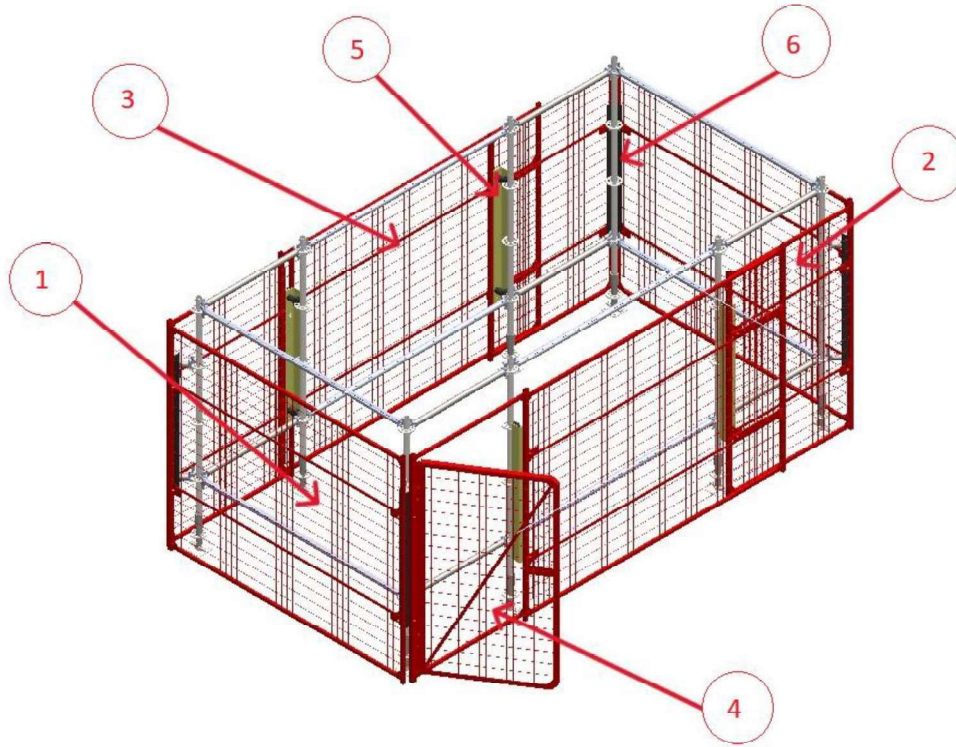


Fig 4. System Components.

Part	Part Numbers	Description	Quantity		
			7x14	8x15	8'6"x15'8"
1*	ESPE7/ ESPE8/ESPE86*	END PANEL 7' / END PANEL 8' / END PANEL 8'6"	2*	2*	2*
2	ESP36	PANEL	3	3	3
3	ESPM	MID PANEL	2	2	2
4	ESD	DOOR	1	1	1
5	ESFARL / ESFACL	FLAT ADAPTER – RING LOCK / CUP LOCK	4	4	4
6	ESCARL / ESCACL	CORNER ADAPTER – RING LOCK / CUP LOCK- RING LOCK	4	4	4

\*NOTE: For part 1, the Frame Tower Enclosure System, Frame size 7'x14', 8'x15' and 8'6"x15'8" use End Panel 7' / End Panel 8' / End Panel 8'6" respectively

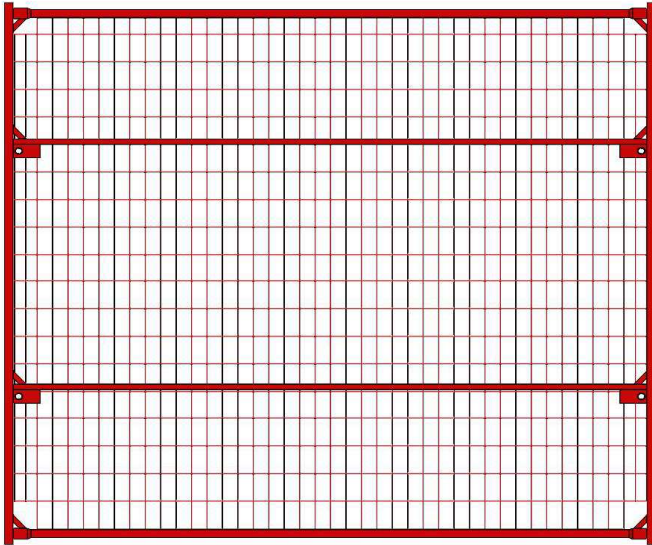


Fig 5. END PANEL 7' (ESPE7)

NAME: END PANEL 7' (ESPE7)  
Works with:  
Ring Lock 7 ft bay at end  
Cup Lock 7 ft bay at end  
Weight: 67.24lbs (30.5 kg)

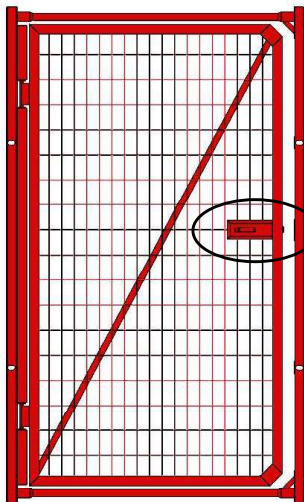


Fig 6. ENCLOSURE SYSTEM DOOR (ESD)

NAME: ENCLOSURE SYSTEM DOOR (ESD)  
Works with:  
Ring Lock 36 & 36S size bays  
Cup Lock 36 bay  
Weight: 72.75lbs (33kg)

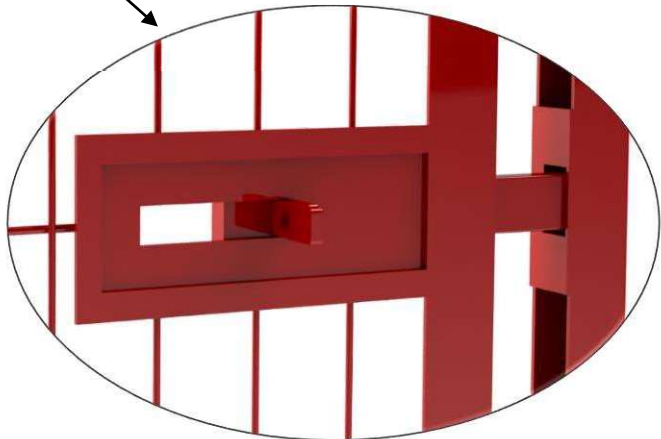


Fig 7. LOCKING MECHANISM

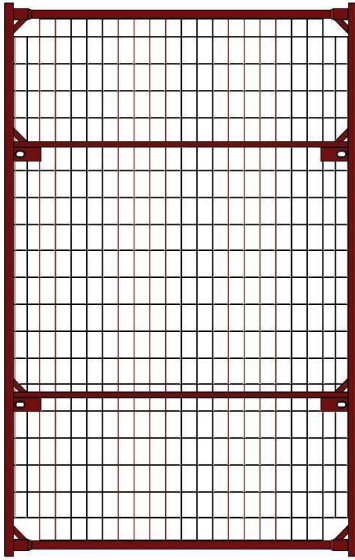


Fig 8. ENCLOSURE SYSTEM PANEL

NAME: ENCLOSURE SYSTEM PANEL (ESP36)

Works with:

Ring Lock 36 & 36S size bays

Cup Lock 36 bay

Weight: 45.66 lbs (20.71 kg)

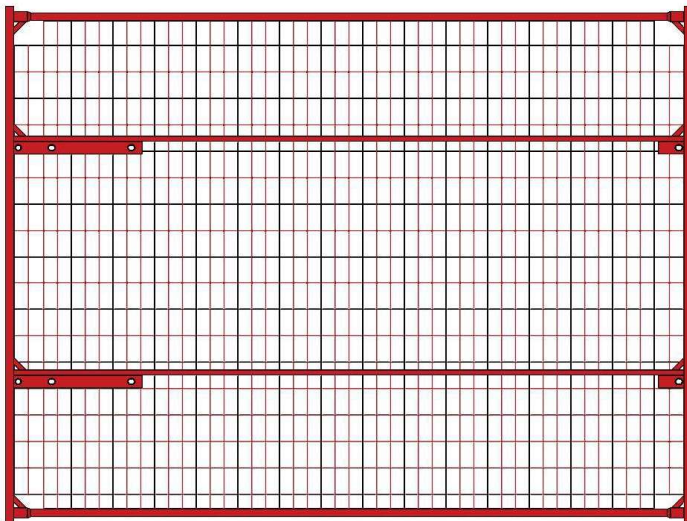


Fig 9. ENCLOSURE SYSTEM MID PANEL (ESPM)

NAME: ENCLOSURE SYSTEM MID PANEL (ESPM)

Works with:

Ring Lock 7', 8' & 8-6" size bays

Cup Lock 7', 8' & 8'6" size bays

Weight: 73.70 lbs (33.43 kg)

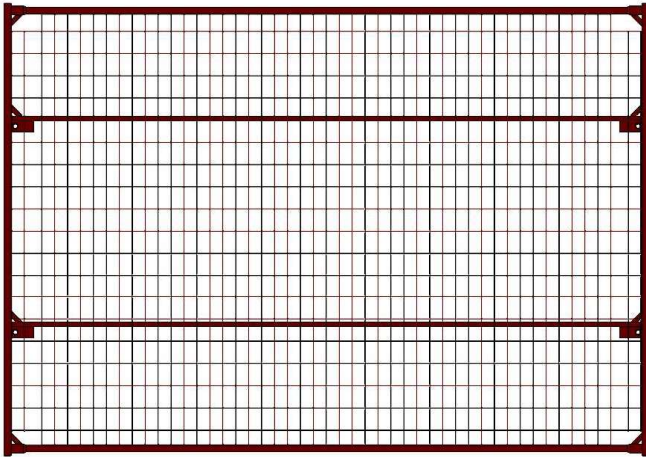


Fig 10. END PANEL 8'6"

NAME: END PANEL 8'6" (ESPE86)

Works with:

Ring Lock 8-6" size bay

Cup Lock 8'6" size bays

Weight: 75.33 lbs (33.43 kg)

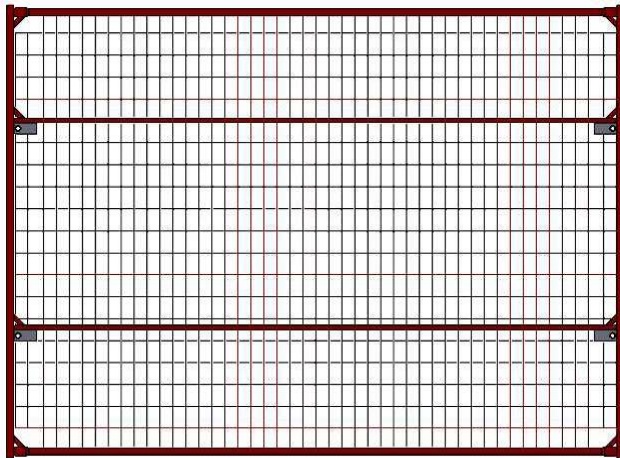


Fig 11. END PANEL 8' (ESPE8)

NAME: END PANEL 8' (ESPE8)

Works with:

Ring Lock 8' size bay

Cup Lock 8' size bay

Weight: 73 lbs (33.12 kg)

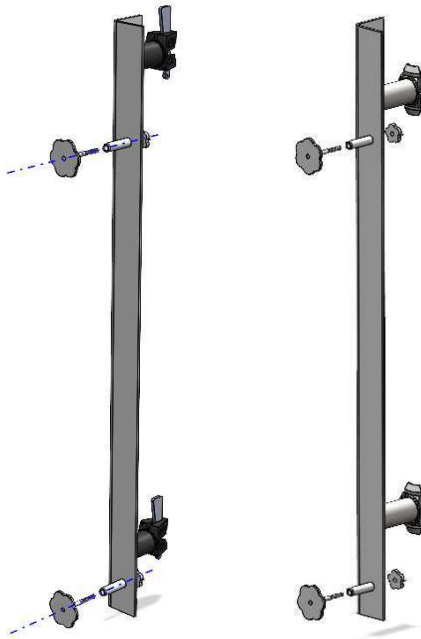


FIG 12. FLAT ADAPTER – RING LOCK (ESFARL) / Cup Lock (ESFACL)

Weight: 19.75 lbs (8.96 kg)

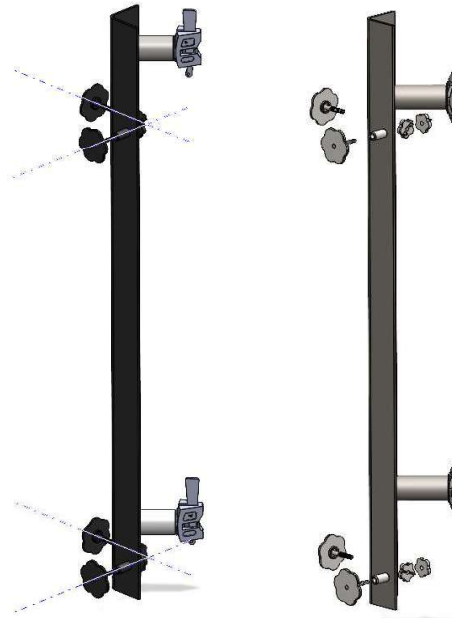


FIG 13. CORNER ADAPTER - Ring lock (ESCARL) / Cup Lock (ESCACL)

Weight: 20.44 lbs (9.27 kg)



Fig 14. PANELS SECURING

## Additional Panel Sizes Available

DSS Part #	Description
ESP3	ENCLOSURE SYSTEM PANEL 3'
ESP39	ENCLOSURE SYSTEM PANEL 3'9"
ESP4	ENCLOSURE SYSTEM PANEL 4'
ESP5	ENCLOSURE SYSTEM PANEL 5'
ESP52	ENCLOSURE SYSTEM PANEL 5'2"
ESP6	ENCLOSURE SYSTEM PANEL 6'
ESP9	ENCLOSURE SYSTEM PANEL 9'
ESP10	ENCLOSURE SYSTEM PANEL 10'

### Disclaimers

1. DSS recommends that all the job layouts be designed by a qualified person, as defined in ANSI 10.8:2001 section 3.63, and that all erection and dismantling be performed under the supervision and direction of a competent person as defined in OSHA 29 CFR 1926 Sub-part L.
2. Always consider the load bearing capabilities of all components in the system and all loads that will be applied when using this equipment.
3. Published values are true for components in good condition. DSS recommends inspecting each component before use.