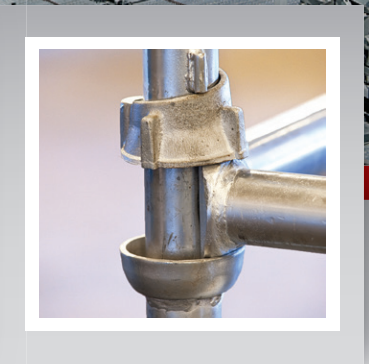
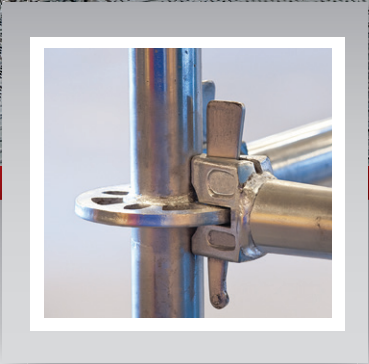
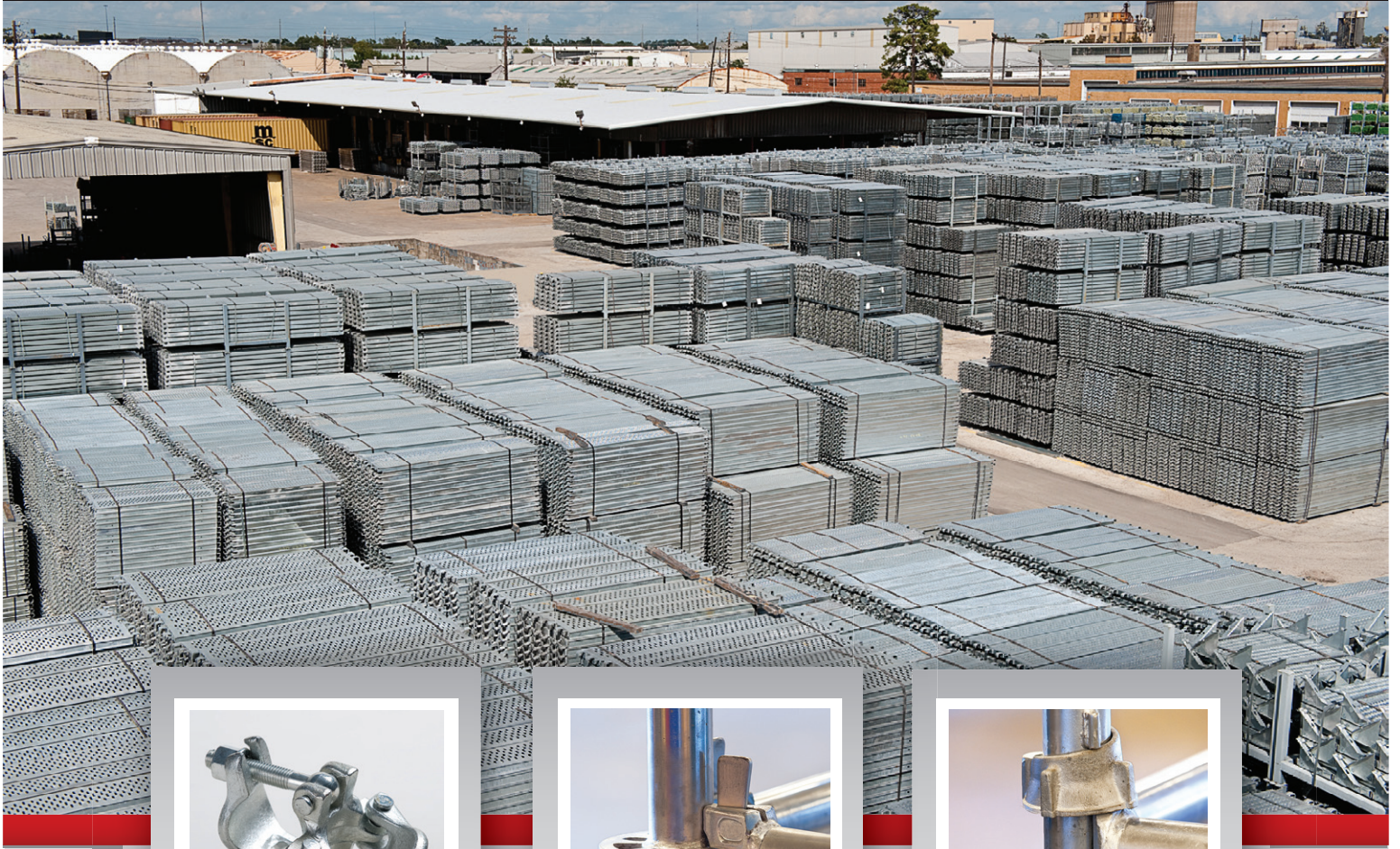


# SYSTEM SCAFFOLD CATALOG



**DSS** 



## INTRODUCTION

For decades, **Direct Scaffold Supply** has accommodated the special needs of the construction and petrochemical industries. Our commitment to industry-leading quality assurance, extensive employee training and factory certification are unmatched and our proprietary manufacturing and logistics programs ensure that you receive delivery of the safest most reliable scaffolding products wherever in the world you need them on time, every time. We are here to help you retain your competitive edge.

### Quality Steel Means Quality Scaffolding

At **Direct Scaffold Supply** we are committed to quality in every step of the scaffold manufacturing process. All the steel we use comes with mill certifications, but we don't stop there. We use an independent lab to verify that all steel arriving in our factories meets or exceeds the appropriate BS EN, ASTM/ANSI specifications.

### Our Commitment to Safety

We provide extensive classroom and on the job training for all members of our factory team. Our welding procedures were written by an independent professional engineer, and were qualified by testing at independent labs. We constantly qualify all of our welders to the AWS D1.1 standard.

### Reliability

All of the products produced by **Direct Scaffold Supply** carry a warranty, and we also have full product liability insurance issued by US carriers. We know that your safety depends on our scaffolding, so we go above and beyond in our quality assurance programs to ensure that the scaffolding that you receive is the safest and most reliable available anywhere in the world. Our Ring Lock Scaffold System holds the Australia Registration, DITUC Certification in Chile and the Bureau Veritas Certification. Our Speed Ring Scaffold Systems holds the Bureau Veritas Certification. We are proud to have earned ISO9001:2008 certification for all of our manufacturing facilities. Most of our factories hold DIN BS EN1090 parts 1 & 2 (EXC 3) and EN ISO 3834 part 2.

### Compatibility

We verified, through independent professional engineers, that all of our scaffolding products and accessories are compatible with other major US and European Manufacturers.

### Value

Our diversified manufacturing base provides us with sufficient manufacturing capacity to meet your requirements. Plus it creates a distinct competitive advantage. We implement our industry leading quality assurance and control programs in all of our overseas factories, and combine those resources with the technical knowledge and experience of our US based technical and engineering services operations. This allows **Direct Scaffold Supply** to offer you a distinct cost advantage and creates significant value for our customers.

### Quality by Design

At **Direct Scaffold Supply**, we take a common sense approach to good business. We start with quality people, manufacture quality products and work hard to establish and maintain quality relationships with our customers. We look forward to the privilege of working with you and the opportunity to demonstrate our commitment to quality manufacturing, business excellence and above all CUSTOMER SATISFACTION.



## TABLE OF CONTENTS

PRODUCTS & INFORMATION	PAGE
INTRODUCTION .....	2
<b>CUP SECTION .....</b>	<b>CL-1</b>
TUBE SPECIFICATIONS .....	CL-2
VERTICALS .....	CL-3
HORIZONTALS.....	CL-4
TRUSSES .....	CL-5
CLAMP BRACES.....	CL-6
FACE BRACES .....	CL-7
BOARD BRACKET .....	CL-8
CASTER ADAPTER .....	CL-9
DECK ADAPTER.....	CL-10
CALIFORNIA GUARDRAIL.....	CL-11
GUARDRAIL POST .....	CL-12
SUPPORT SPIGOT .....	CL-13
ALUMINUM STAIR STRINGER .....	CL-14
STAIR TREADS .....	CL-15
INTERMEDIATE TRANSOM .....	CL-16
<b>RING LOCK SECTION.....</b>	<b>RL-1</b>
TUBE SPECIFICATIONS .....	RL-2
VERTICALS .....	RL-3
LEDGERS .....	RL-4
LEDGERS - CONT. ....	RL-5
DOUBLE LEDGERS .....	RL-6
LATTICE GIRDER .....	RL-7
BOARD BRACKET .....	RL-8
STARTER COLLAR.....	RL-9
VERTICAL DIAGONAL .....	RL-10
VERTICAL DIAGONAL.....	RL-11
GUARDRAIL POSTS.....	RL-12
SUSPENDED CONNECTOR .....	RL-13
SUPPORT SPIGOT CLAMPS .....	RL-14
STAIR STRINGERS AND STEPS .....	RL-15
STAIR STRINGERS AND STEPS .....	RL-16
RING LOCK CASTER ADAPTER.....	RL-17
INTERMEDIATE TRANSOM .....	RL-18



## TABLE OF CONTENTS - CONT.

PRODUCTS & INFORMATION	PAGE
<b>SPEED RING SECTION.....</b>	<b>SR-1</b>
TUBE SPECIFICATIONS .....	SR-2
VERTICALS .....	SR-3
HORIZONTALS.....	SR-4
DOUBLE LEDGER.....	SR-6
LATTICE GIRDER .....	SR-7
BASE COLLAR .....	SR-8
DIAGONAL.....	SR-9
CASTER OUTRIGGER.....	SR-10
BOARD BRACKET .....	SR-11
BASE JACK HOLDER .....	SR-12
<b>ACCESSORIES SECTION.....</b>	<b>AC-1</b>
SYSTEM JACK WITH BASE PLATE.....	AC-2
SWIVEL SYSTEM JACK .....	AC-3
UNIVERSAL SYSTEM SPIGOT.....	AC-4
PINS.....	AC-5
GATES .....	AC-6
GATE ADAPTERS .....	AC-7
UNIVERSAL TOE BOARD.....	AC-8
DAVIT ARMS .....	AC-9
MEDIUM POST SHORE.....	AC-10
BASKETS .....	AC-11
CASTERS .....	AC-12
PLATE CASTERS .....	AC-13
U-JACK.....	AC-14
ADJUSTABLE U-HEAD JACK.....	AC-15
HEAVY DUTY BRACES.....	AC-16
SCAFFOLD TAGS .....	AC-17
SCAFFOLD TAGS .....	AC-18



## TABLE OF CONTENTS - CONT.

PRODUCTS & INFORMATION	PAGE
<b>CLAMPS SECTION</b> .....	<b>CP-1</b>
TWIST LOCK TUBE.....	CP-2
I-BOLT CLAMPS .....	CP-3
WIDE BODY CLAMPS .....	CP-4
BEAM CLAMP.....	CP-5
T BOLT CLAMPS.....	CP-6
WEDGE CLAMPS .....	CP-7
RING SYSTEM ACCESSORY CLAMPS.....	CP-8
TUBE COUPLERS .....	CP-9
<b>LADDERS SECTION</b> .....	<b>LD-1</b>
17" WIDE LADDER & BRACKET.....	LD-2
17" WIDE NON-SLIP LADDER & BRACKET .....	LD-3
HEAVY DUTY STEEL LADDER & BRACKET.....	LD-4
LADDER RING TYPE.....	LD-5
SAU CHANNEL STYLE LADDER .....	LD-6
CAGE RINGS .....	LD-7
<b>BOILER SYSTEM SECTION</b> .....	<b>BS-1</b>
THROAT HEADER .....	BS-2
FRAMES & FRAME STARTER .....	BS-3
BASE BEAM .....	BS-4
SADDLE BRACE .....	BS-5
VEE CHAIR .....	BS-6



## TABLE OF CONTENTS - CONT.

PRODUCTS & INFORMATION	PAGE
<b>WALK BOARD SECTION.....</b>	<b>WB-1</b>
9" STEEL PLANK.....	WB-2
9" LOW PROFILE STEEL PLANK .....	WB-3
9" LOW PROFILE STEEL PLANK .....	WB-4
9-1/2" LOW PROFILE STEEL PLANK .....	WB-5
12-1/2" STEEL PLANK .....	WB-6
7-9/16" FILLER STEEL PLANK .....	WB-7
9.5" ALL ALUMINUM WALK BOARD .....	WB-8
19" ALL ALUMINUM PLANK.....	WB-9
19" ALUMINUM PLYWOOD BOARD.....	WB-10
19" ALUMINUM PLYWOOD BOARD.....	WB-11
19" WIDE ALUMINUM DEEP RAIL PLYWOOD BOARD .....	WB-12
19" WIDE ALUMINUM DEEP RAIL STEEL TOP BOARD.....	WB-13
19" WIDE ALUMINUM FRAME STEEL DECK .....	WB-14
9" STEEL BATON BOARD .....	WB-15
CATWALK GRATING .....	WB-16
CATWALK GRATING CLIPS .....	WB-17
STAGE BOARDS.....	WB-18
STAGE BOARDS.....	WB-19
CORNER BRACKET WALKBOARD .....	WB-20
28" HATCH PLANK W/ ALUMINUM LADDER .....	WB-21



SYSTEM SCAFFOLD CATALOG  
DSSCAT  
UPDATED: 03/24/2017



---

# CUP LOCK SECTION

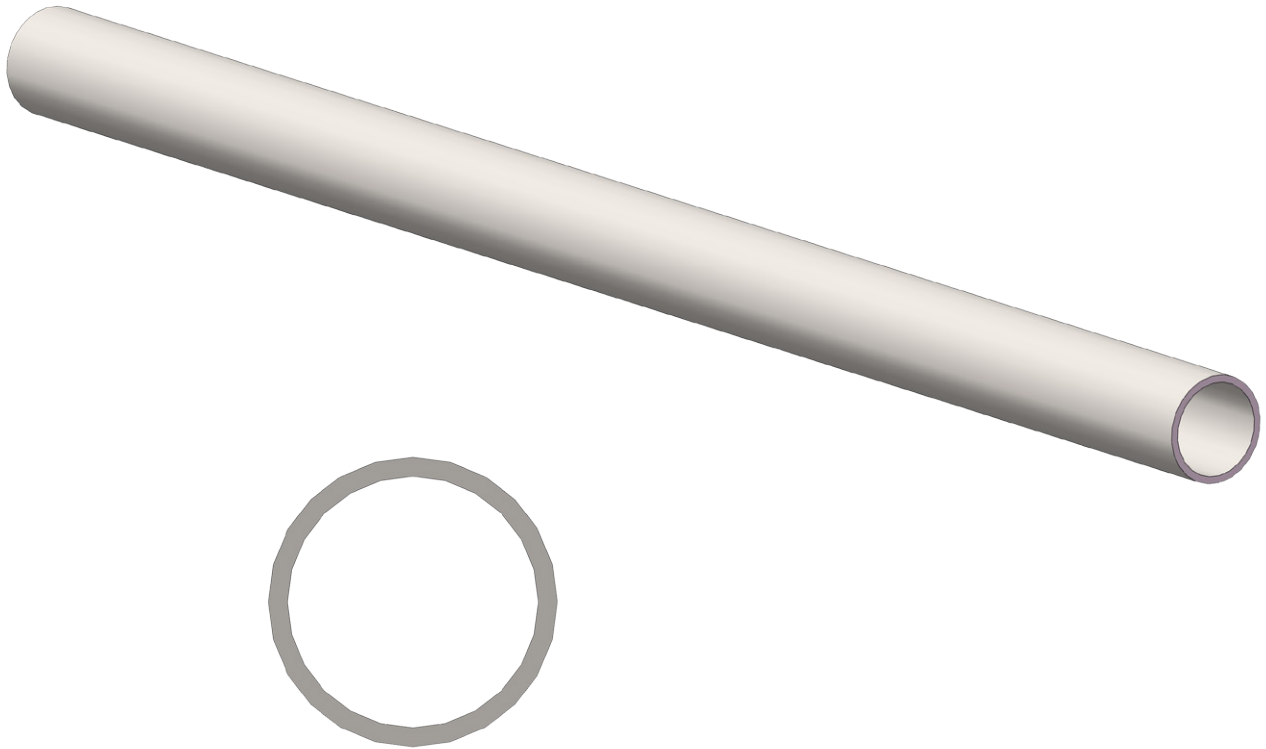
---

World Headquarters: 6059 South Loop East | Houston, TX 77087 | Offices In: Hong Kong | China | Latin America | Canada

713-673-7701 Phone | 800-720-6629 Toll Free | [www.dss.net](http://www.dss.net)

[CLICK TO RETURN TO  
TABLE OF CONTENTS](#)

## TUBE SPECIFICATIONS

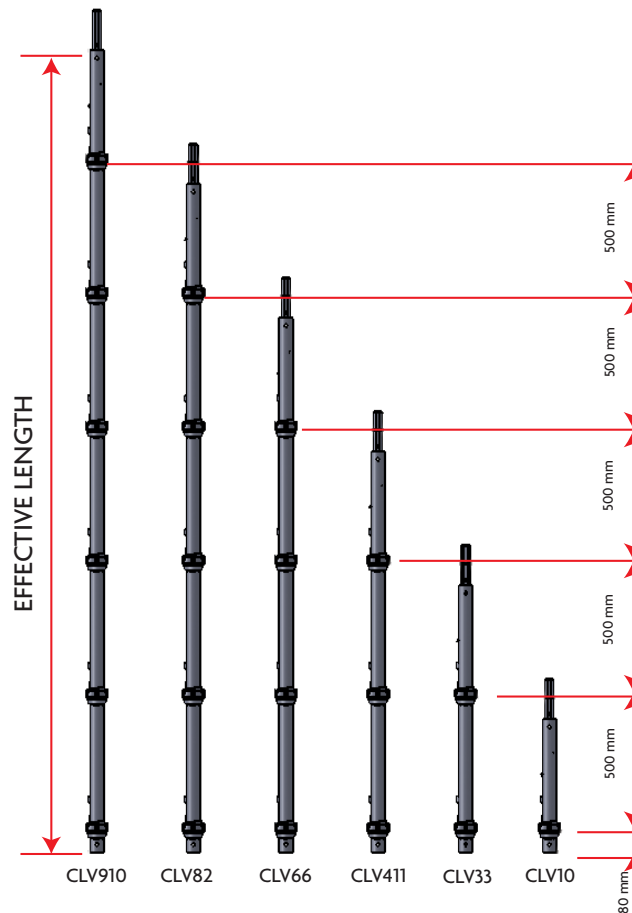


	Diameter		Thickness		Minimum Tensile		Minimum Yield	
	In	mm	In	mm	Mpa	ksi	Mpa	ksi
CLV	1.9	48.3	0.13	3.25	517	75,000	414	60,000
CLH	1.9	48.3	0.13	3.25	517	75,000	414	60,000
CLFB	1.9	48.3	0.098	2.5	483	70,000	345	50,000
CLCB	1.9	48.3	0.098	2.5	483	70,000	345	50,000

NOTE: Minimum Elongation at 2in/50.8mm is 20%

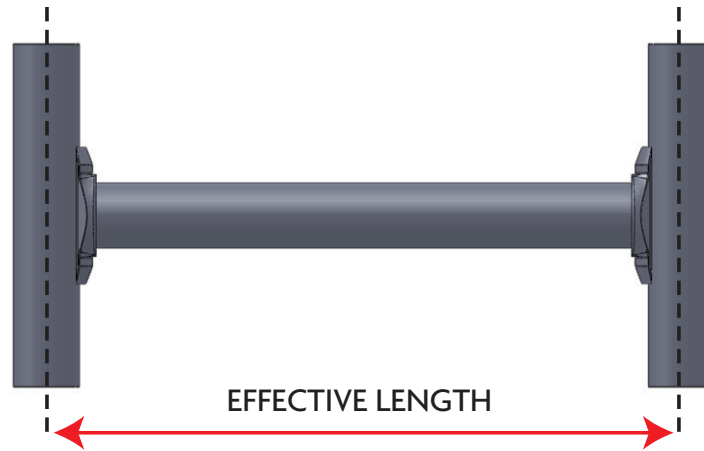


## VERTICALS



Product Code	Description	Effective Length		Weight	
		Inches	Meters	Lb	Kg
CLV10	1 Cup Vertical	19.69	0.50	9.6	3.5
CLV33	2 Cup Vertical	39.37	1.00	13.6	6.2
CLV411	3 Cup Vertical	59.06	1.50	19.1	8.7
CLV66	4 Cup Vertical	78.74	2.00	25	11.4
CLV82	5 Cup Vertical	98.43	2.50	31.4	14.2
CLV910	6 Cup Vertical	118.11	3.00	36.4	16.5

## HORIZONTALS



Imperial Sizes						Metric Sizes					
Product Code	Description	Bay Length		Weight		Product Code	Description	Bay Length		Weight	
		Inches	Meters	Lb	Kg			Inches	Meters	Lb	Kg
CLH110	1'-10" Cup Lock Horiz.	22	0.56	5.2	2.4	CLH110	1'-10" Cup Lock Horiz.	22	0.56	5.2	2.4
CLH27	2'-7" Cup Lock Horiz.	31	0.79	7.0	3.2	CLH27	2'-7" Cup Lock Horiz.	31	0.79	7.0	3.2
CLH30	3' Cup Lock Horiz.	36	0.91	8.4	3.8	CLH211	2'-11" Cup Lock Horiz.	35.4	0.90	8.2	3.7
CLH36	3'-6" Cup Lock Horiz.	42	1.07	9.4	4.3	CLH36	3'-6" Cup Lock Horiz.	42	1.07	9.4	4.3
CLH40	4' Cup Lock Horiz.	48	1.22	10.6	4.8	CLH41	4'-1" Cup Lock Horiz.	49.2	1.25	10.8	4.9
CLH50	5' Cup Lock Horiz.	60	1.52	13.0	5.9	CLH43*	4'-3-3/16" Cup Lock Horiz.	51.2	1.3	11.5	5.2
CLH60	6' Cup Lock Horiz.	72	1.83	15.4	7.0	CLH411	4'-11" Cup Lock Horiz.	59	1.50	12.8	5.8
CLH70	7' Cup Lock Horiz.	84	2.13	18.0	8.2	CLH511	5'-11" Cup Lock Horiz.	70.9	1.80	15.4	7.0
CLH80	8' Cup Lock Horiz.	96	2.44	21.0	9.5	CLH70	7' Cup Lock Horiz.	84	2.13	18.0	8.2
CLH90	9' Cup Lock Horiz.	108	2.74	23.0	10.4	CLH82	8'-2" Cup Lock Horiz.	98.4	2.50	21.2	9.6
CLH100	10' Cup Lock Horiz.	120	3.05	25.8	11.7	CLH100	10' Cup Lock Horiz.	120	3.05	25.8	11.7

\*Item not stocked

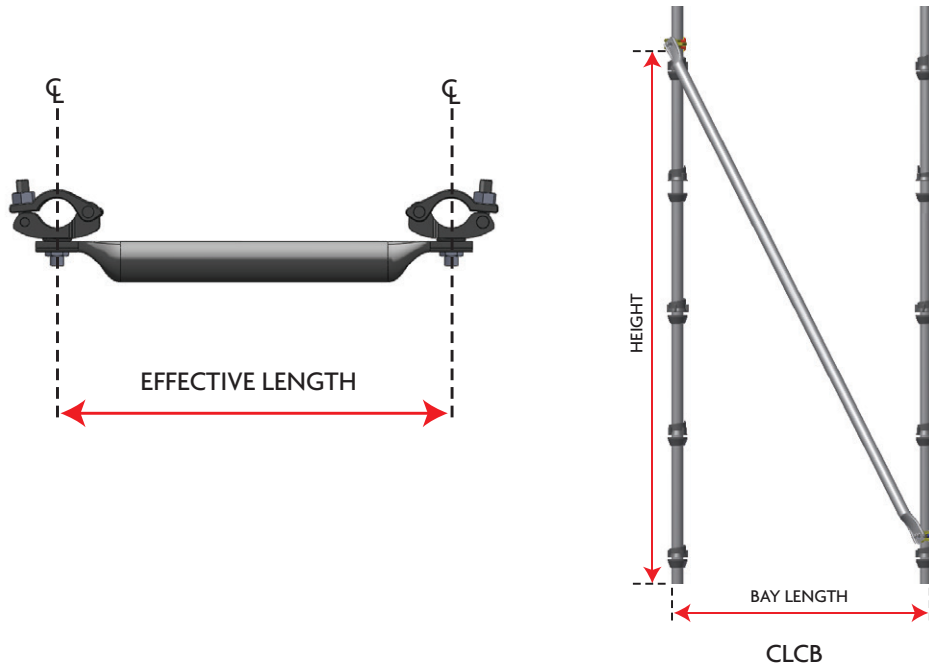
## TRUSSES



Product Code	Description	Effective Length		Weight	
		Inches	Meters	Lb	Kg
CLTB70	7' Cup Lock Truss	84	2.13	35.3	16.0
CLTB80	8' Cup Lock Truss	96	2.44	53.8	24.4
CLTB82*	8'-2" Cup Lock Truss	98	2.50	56.7	25.7
CLTB90	9' Cup Lock Truss	108	2.74	60.6	27.5
CLTB100	10' Cup Lock Truss	120	3.05	67.0	30.4
CLTB120	12' Cup Lock Truss	144	3.66	79.4	36.0
CLTB140	14' Cup Lock Truss	168	4.27	90.4	41.7
CLTB160	16' Cup Lock Truss	192	4.88	109.1	49.5
CLTB180	18' Cup Lock Truss	216	5.49	120.8	54.8
CLTB200	20' Cup Lock Truss	240	6.10	154.1	69.9
CLTB210	21' Cup Lock Truss	252	6.401	194.9	88.4

\*Item not stocked

## CLAMP BRACES

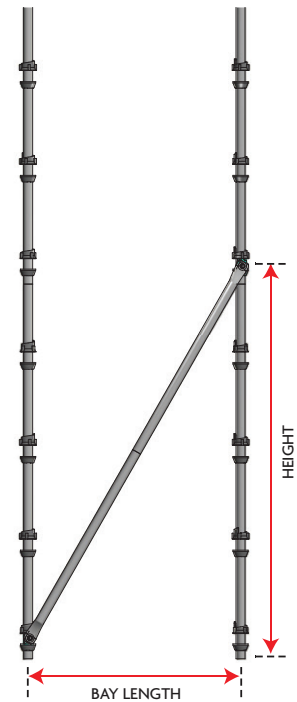
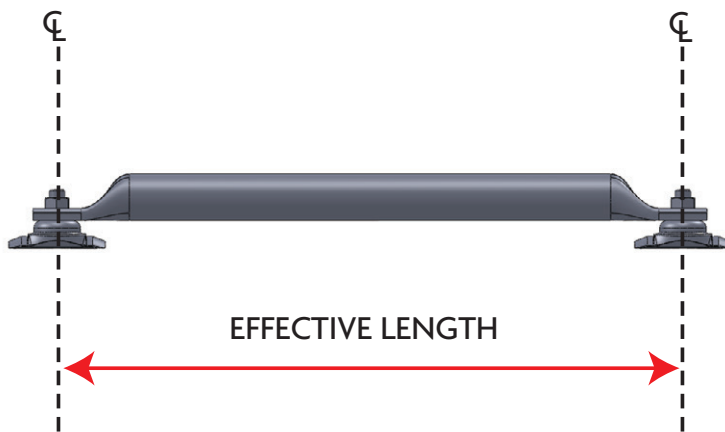


Product Code	Description	Bay Length		Height		Effective Length		Weight	
		Inches	Meters	In	M	Inches	Meters	Lb	Kg
CLCB30*	3' Clamp Brace Swivel	36	0.91	78	2	86.58	2.20	18.08	8.2
CLCB40*	4' Clamp Brace Swivel	48	1.22	78	2	92.23	2.34	17.51	7.9
CLCB50	5' Clamp Brace Swivel	60	1.52	78	2	99	2.51	20.16	9.1
CLCB60*	6' Clamp Brace Swivel	72	1.83	78	2	106.70	2.71	20.06	9.1
CLCB70	7' Clamp Brace Swivel	84	2.13	78	2	115.1	2.92	23.24	10.5
CLCB80	8' Clamp Brace Swivel	96	2.44	78	2	124.2	3.15	25.03	11.4
CLCB82	8'-2" Clamp Brace Swivel	98	2.5	78	2	126.1	3.20	25.4	11.5
CLCB86	8'-6" Clamp Brace Swivel	101	2.57	78	2	128.3	3.26	25.87	11.7
CLCB90	9' Clamp Brace Swivel	108	2.74	78	2	133.7	3.39	26.84	12.2
CLCB100	10' Clamp Brace Swivel	120	3.05	78	2	143.5	3.65	28.71	13

\*Item not stocked

Note: Braces are designed with a 2 meter (6'6") vertical drop across the bay.

## FACE BRACES



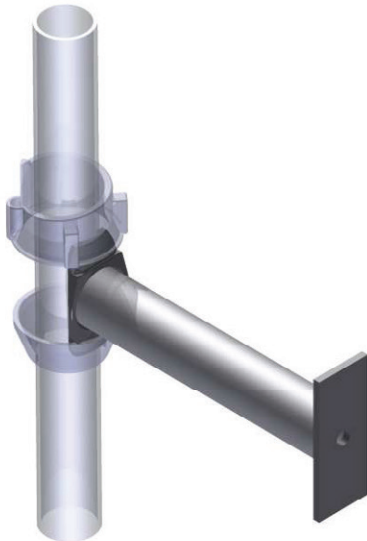
Imperial Sizes					
Product Code	Description	Effective Length		Weight	
		Inches	Meters	Lb	Kg
CLFB40*	4' Face Brace Swivel	92.2	2.34	15.9	7.2
CLFB50*	5' Face Brace Swivel	98.9	2.52	16.9	7.7
CLFB70	7' Face Brace Swivel	115.1	2.92	19.3	8.7
CLFB80	8' Face Brace Swivel	124.2	3.15	20.3	9.3
CLFB90*	9' Face Brace Swivel	133.7	3.39	22	10
CLFB100	10' Face Brace Swivel	143.5	3.65	23.4	10.6

Metric Sizes					
Product Code	Description	Effective Length		Weight	
		Inches	Meters	Lb	Kg
CLFB511*	5'-11" Face Brace Swivel	105.9	2.69	18.5	8.4
CLFB82	8'-2" Face Brace Swivel	126.1	3.2	20.9	9.5

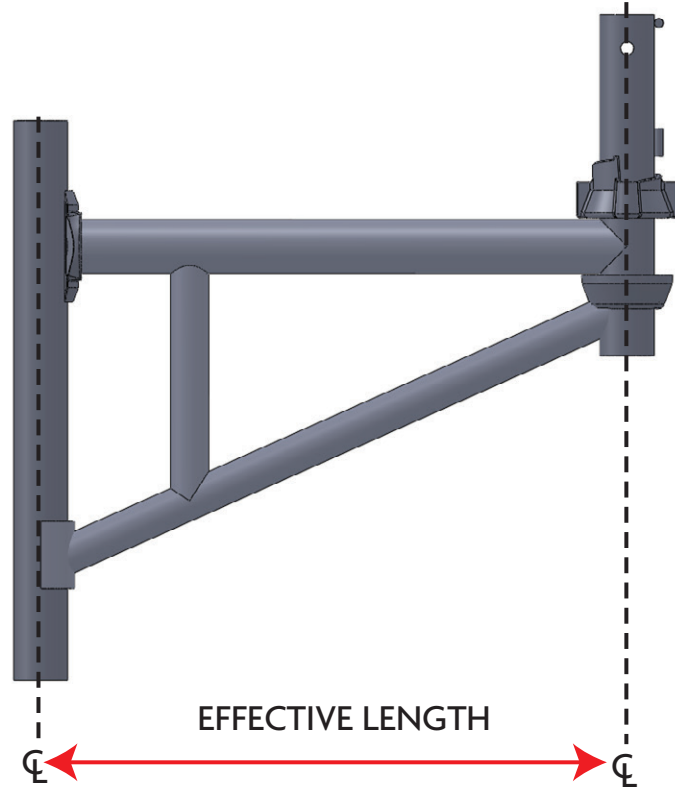
Note: The Face brace is designed with an intended 2 meter (6'6") vertical drop.

\*Item not stocked

## BOARD BRACKET

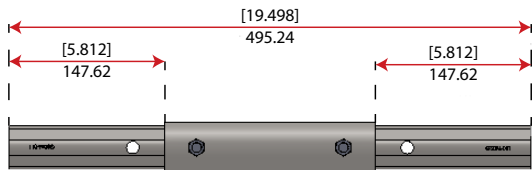


CLBB10



EFFECTIVE LENGTH

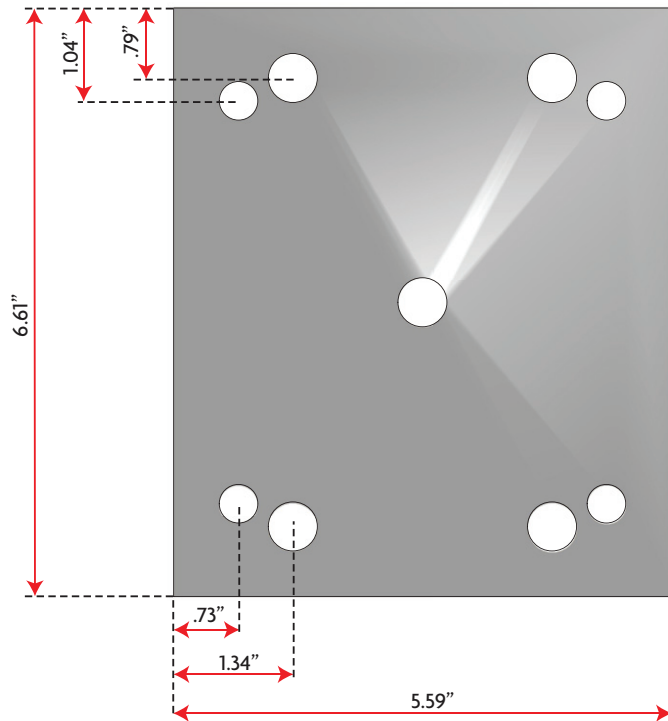
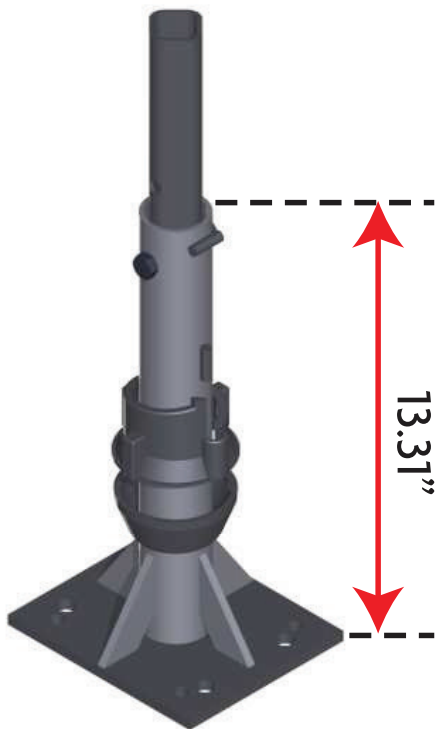
CLBB27 & CLBB110



CLEA17

Product Code	Description	Effective Length		Weight	
		Inches	Meters	Lb	Kg
CLBB10	1' Board Bracket	11.4	0.29	3.3	1.5
CLBB110	2' Board Bracket	22.2	0.57	12.6	5.7
CLBB27	3' Board Bracket	31.3	0.80	17.0	7.7
CLEA17	Cup Lock Ext. Adapter	7.8	0.20	5.2	2.4

## CASTER ADAPTER



Product Code	Description	Weight	
		Lb	Kg
CLCA	Caster Adaptor	10.7	4.8

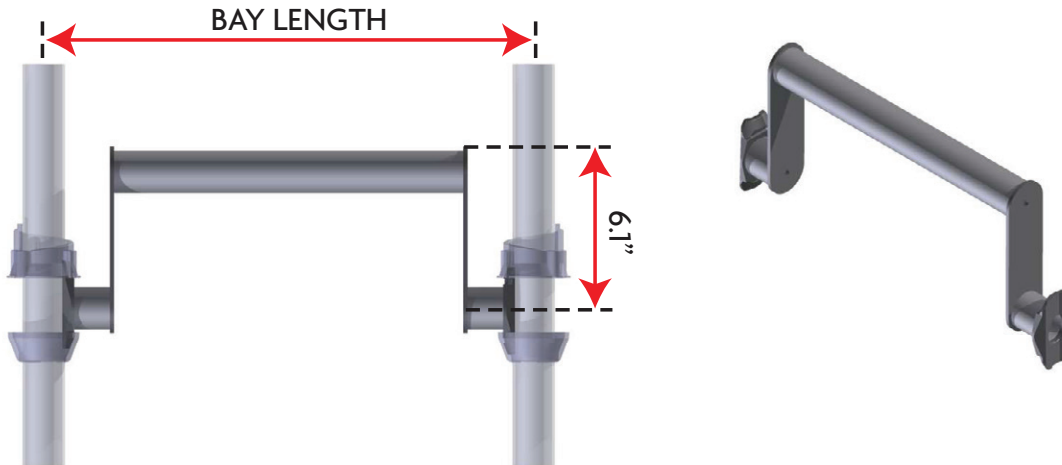
## DECK ADAPTER



Product Code	Description	Weight	
		Lb	Kg
CLDA	25" Deck Adapter	12.0	5.4



## CALIFORNIA GUARDRAIL



Product Code	Description	Bay Length		Weight	
		Inches	Meters	Lb	Kg
CLGR110	1'-10" California Guardrail	22	0.56	6.9	3.2
CLGR22*	2'-2" California Guardrail	26	0.64	8.5	3.9
CLGR27	2'-7" California Guardrail	31	0.79	8.8	4.0
CLGR30	3' California Guardrail	36	0.91	9.8	4.4
CLGR310*	3'-10" California Guardrail	46	1.17	10.1	4.6
CLGR40	4' California Guardrail	48	1.22	12.4	5.6
CLGR50	5' California Guardrail	60	1.52	14.6	6.6
CLGR52*	5'-2" California Guardrail	62	1.57	15.1	6.8
CLGR60	6' California Guardrail	72	1.83	17.1	7.7
CLGR70	7' California Guardrail	84	2.13	19.9	9.0
CLGR80	8' California Guardrail	96	2.44	22.0	10.0
CLGR90	9' California Guardrail	108	2.74	24.6	11.1
CLGR100	10' California Guardrail	120	3.05	26.9	12.2

\*Item not stocked

## GUARDRAIL POST



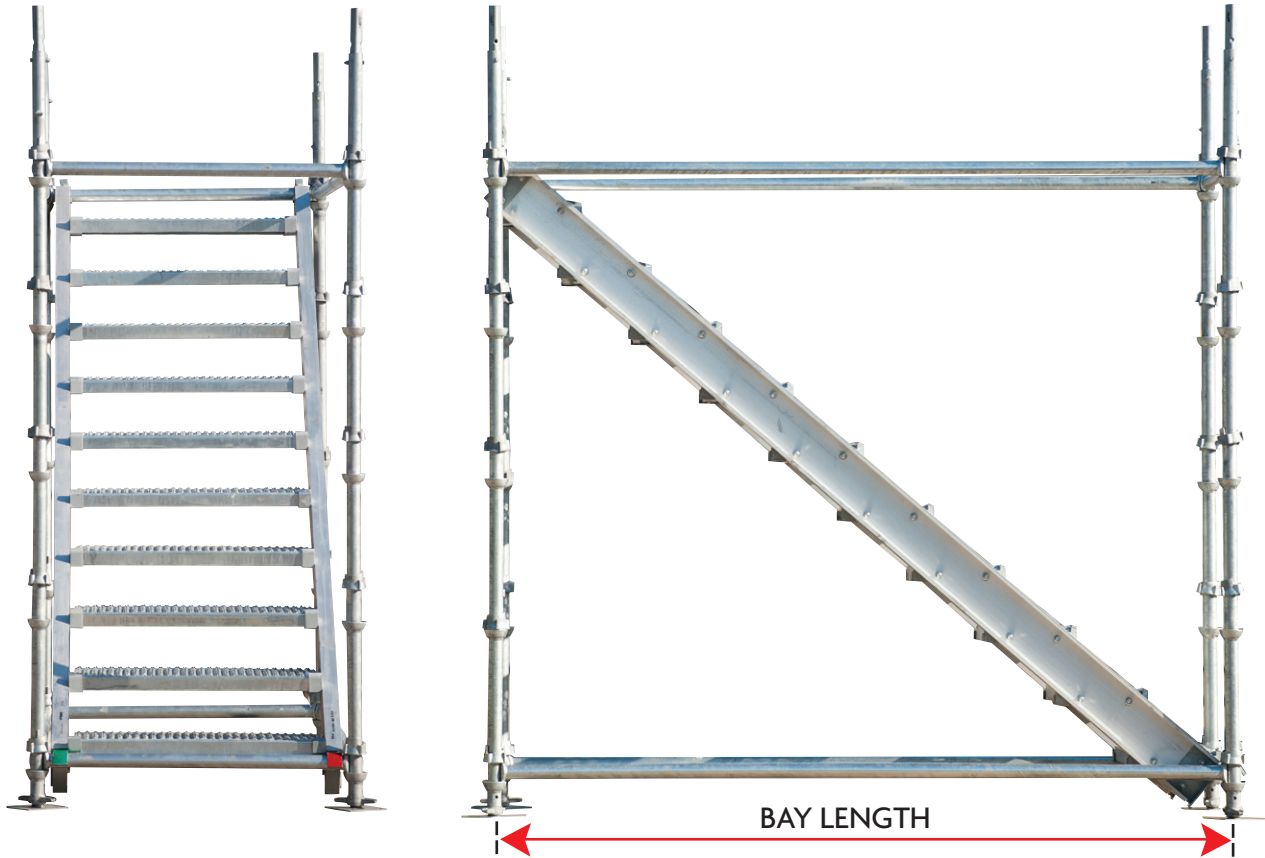
Product Code	Description	Effective Length		Weight	
		Inches	Meters	Lb	Kg
CLGRP	Cup Lock Guardrail Post	59.1	1.5	25.6	11.6

## SUPPORT SPIGOT CLAMP



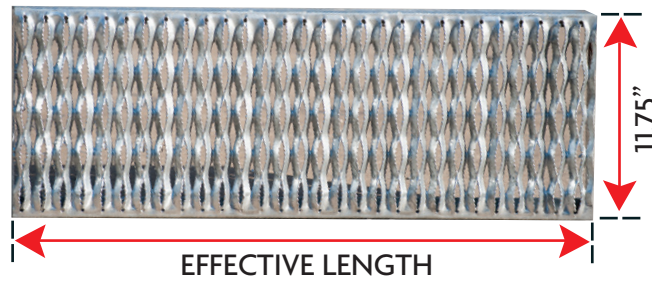
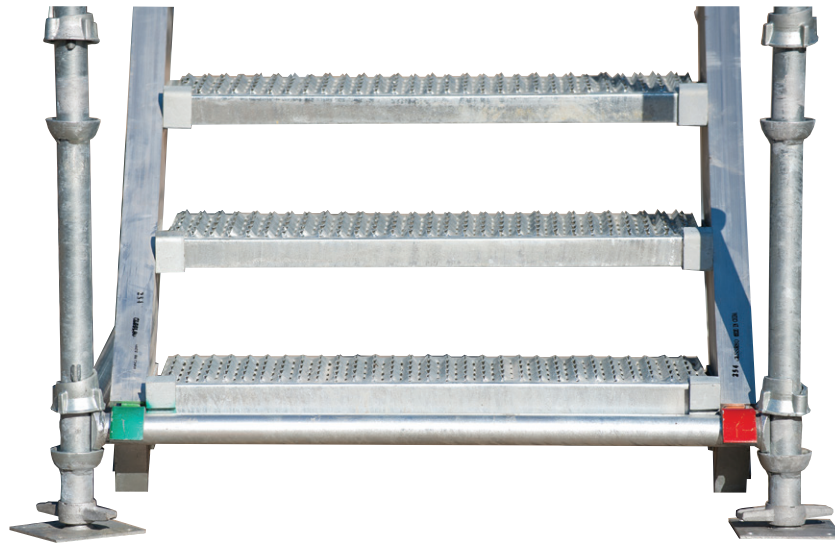
Product Code	Description	Weight	
		Lb	Kg
CLSS	Cup Lock Support Spigot	5.7	2.6

## ALUMINUM STAIR STRINGERS



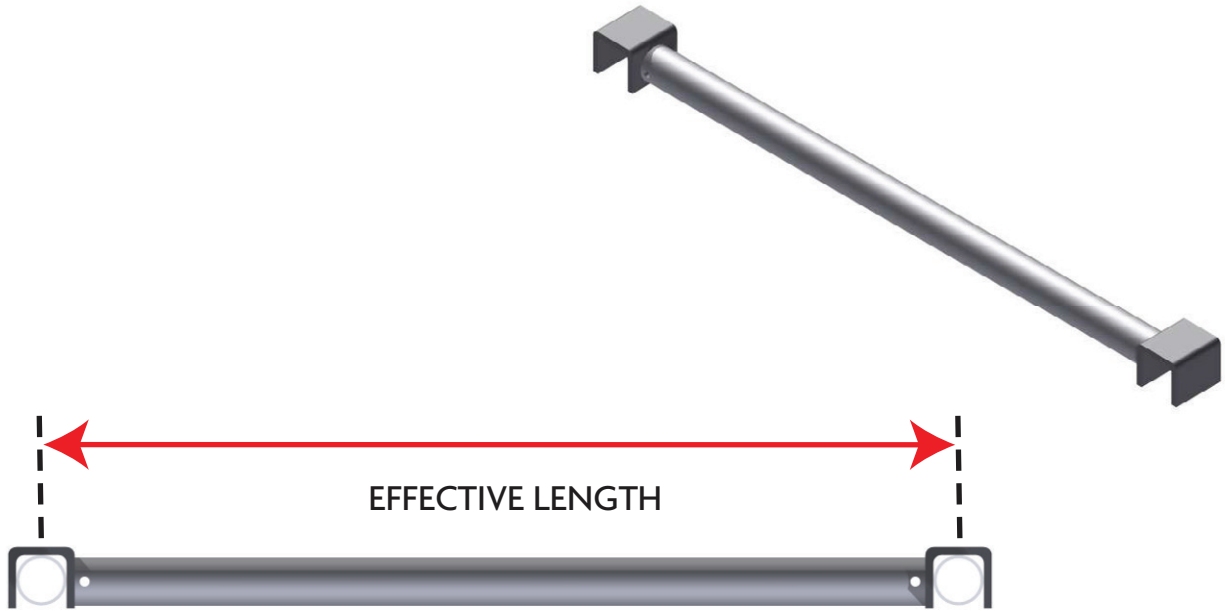
Product Code	Description	Bay Length		Height		Weight	
		Inches	Meters	Inches	Meters	Lb	Kg
CLSSL80	Cup Lock 8' Str Stringer Aluminum	96	2.4	6'-6"	2	66.1	30.0
CLSSR80	Cup Lock 8' Str Stringer Aluminum	96	2.4	6'-6"	2	66.1	30.0
CLSSL82	Cup Lock 8'-2" Str Stringer Aluminum	98	2.5	6'-6"	2	70.6	32.0
CLSSR82	Cup Lock 8'-2" Str Stringer Aluminum	98	2.5	6'-6"	2	70.6	32.0

## STAIR TREADS



Product Code	Description	Effective Length		Weight	
		Inches	Meters	Lb	Kg
CLST36	3'-6" Stair Tread	33.0	0.84	13.8	6.3
CLST40	4' Stair Tread	39.4	1.00	15.9	7.2

## INTERMEDIATE TRANSOM



Product Code	Description	Effective Length		Weight	
		Inches	Meters	Lb	Kg
CLT130	3' Intermediate Transom	36	0.91	10.5	4.8
CLT140	4' Intermediate Transom	48	1.22	12.7	5.8



SYSTEM SCAFFOLD CATALOG  
DSSCAT  
UPDATED: 03/24/2017

## SYSTEM SCAFFOLD CATALOG



---

# RING LOCK SECTION

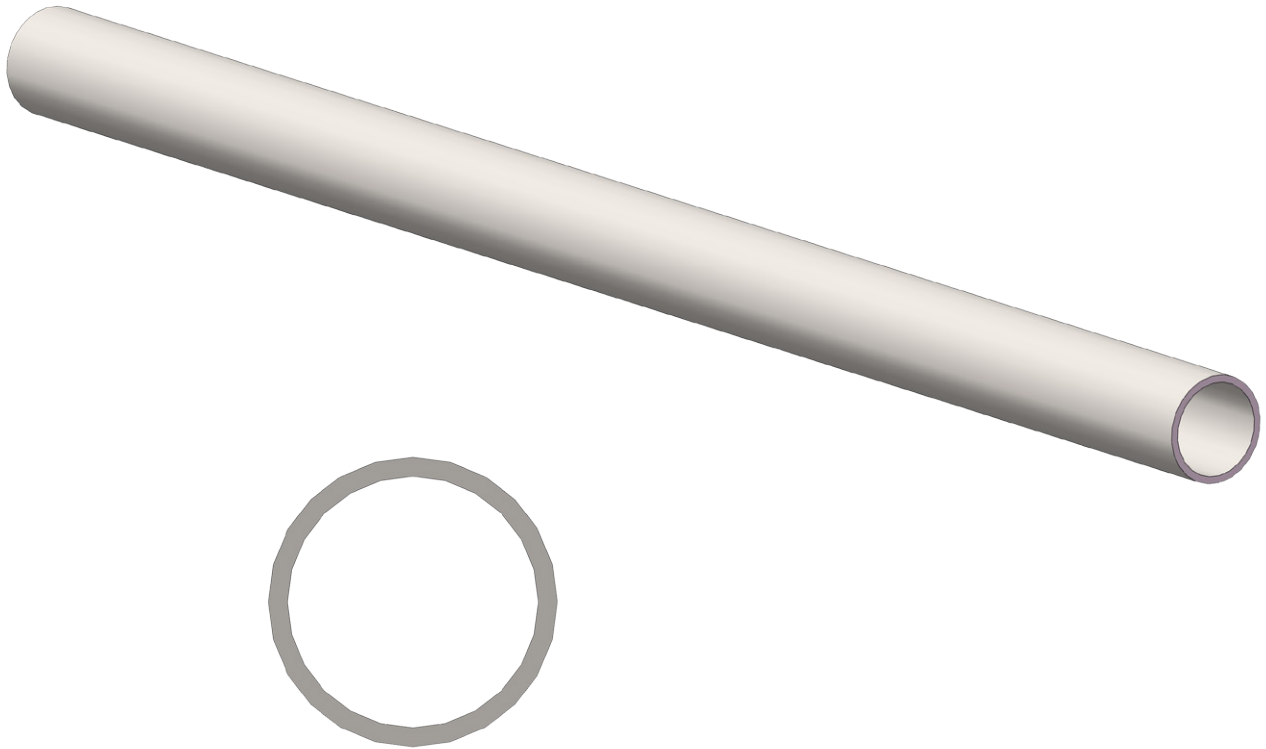
---

World Headquarters: 6059 South Loop East | Houston, TX 77087 | Offices In: Hong Kong | China | Latin America | Canada

713-673-7701 Phone | 800-720-6629 Toll Free | [www.dss.net](http://www.dss.net)

[CLICK TO RETURN TO  
TABLE OF CONTENTS](#)

## TUBE SPECIFICATIONS

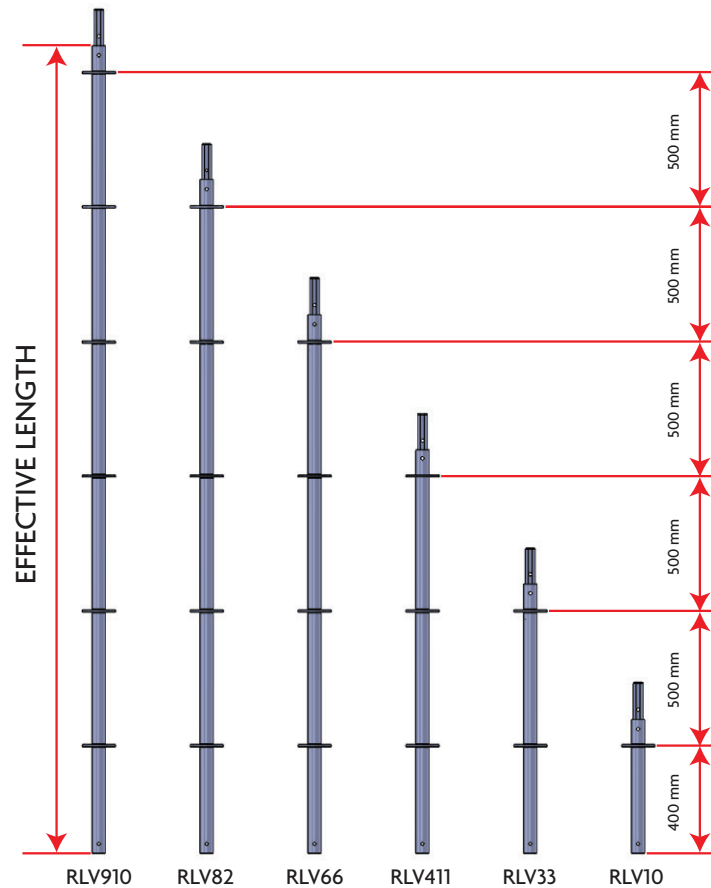


	Diameter		Thickness		Minimum Tensile		Minimum Yield	
	In	mm	In	mm	Mpa	ksi	Mpa	ksi
RLV	1.9	48.3	0.118	3.0	517	75,000	414	60,000
RLH	1.9	48.3	0.118	3.0	517	75,000	414	60,000
RLFB	1.9	48.3	0.098	2.5	483	70,000	345	50,000
RLCB	1.9	48.3	0.098	2.5	483	70,000	345	50,000

NOTE: Minimum Elongation at 2in/50.8mm is 20%

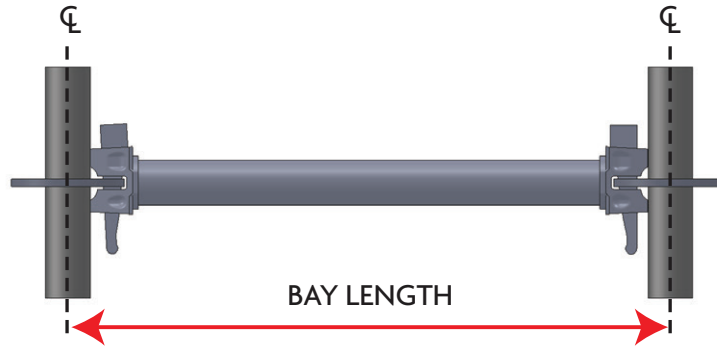


## VERTICALS



Product Code	Description	Effective Length		Weight	
		Inches	Meters	Lb	Kg
RLV10	1 Ring Vertical W/Spigot	19.69	0.50	6.9	3.1
RLV33	2 Ring Vertical W/Spigot	39.37	1.00	12.1	5.5
RLV411	3 Ring Vertical W/Spigot	59.06	1.50	17.3	3.1
RLV66	4 Ring Vertical W/Spigot	78.74	2.00	15.21	7.8
RLV82	5 Ring Vertical W/Spigot	98.43	2.50	26.4	12.0
RLV910	6 Ring Vertical W/Spigot	118.11	3.00	32.9	15.0

## LEDGERS



Imperial Sizes					
Product Code	Description	Bay Length		Weight	
		Inches	Meters	Lb	Kg
RLH10	1' Ledger	12	0.3	5.3	2.4
RLH14	1'-4" Ledger	16	0.4	5.7	2.6
RLH20	2' Ledger	24	0.61	7	3.2
RLH30	3' Ledger	36	0.91	9.4	4.3
RLH36S	3'-6" Ledger	42	1.07	10.3	4.7
RLH40	4' Ledger	48	1.20	11.9	5.4
RLH50	5' Ledger	60	1.52	14	6.3
RLH54	5'-4" Ledger	63.98	1.63	14.9	6.76
RLH55	5'-5" Ledger	65	1.65	15	6.8
RLH60	6' Ledger	72	1.83	16.2	7.3
RLH70	7' Ledger	83.86	2.13	18.7	8.5
RLH80	8' Ledger	96.06	2.4	21.6	9.8
RLH90	9' Ledger	108	2.74	25.6	11.6
RLH100	10' Ledger	120.12	3.05	26.7	12.1

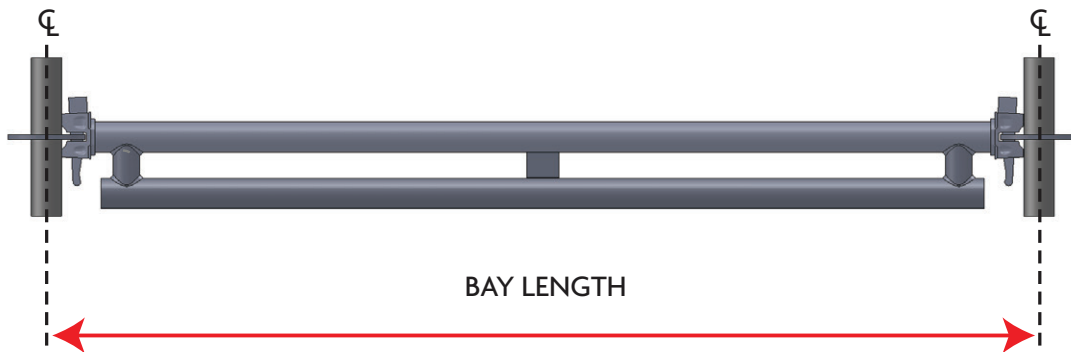
Metric Sizes					
Product Code	Description	Bay Length		Weight	
		Inches	Meters	Lb	Kg
RLH14	1'-4" Ledger	15.75	0.4	5.7	2.6
RLH24	2'-4" Ledger	28.82	0.73	7.5	3.4
RLH33	3'-3" Ledger	39.98	0.99	9.9	4.5
RLH36	3'-6" Ledger	42.83	1.07	10.3	4.7
RLH43	4'-3" Ledger	50.63	1.29	12.1	5.5
RLH410	4'-10" Ledger	58.43	1.48	13.7	6.2
RLH52	5'-2" Ledger	61.89	1.57	14.7	6.7
RLH69	6'-9" Ledger	81.57	2.07	18.6	8.4
RLH70	7' Ledger	83.86	2.13	18.7	8.5
RLH86	8'-6" Ledger	101.26	2.57	23.2	10.5
RLH100	10' Ledger	120.12	3.05	26.7	12.1
RLH101	10'-1" Ledger	120.87	3.07	28	12.7



## LEDGERS - CANADIAN SIZES

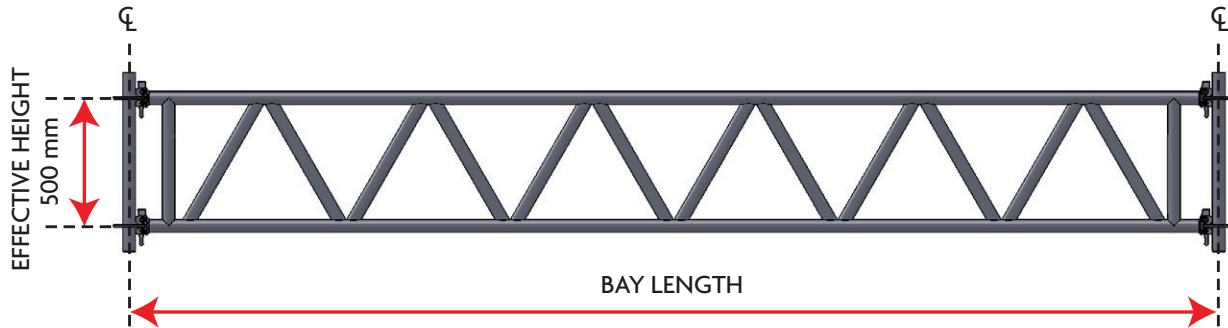
Canadian Sizes					
Product Code	Description	Bay Length		Weight	
		Inches	Meters	Lb	Kg
RLH22	2'-2" Ledger	25.59	0.65	7.0	3.2
RLH211	2'-11" Ledger	34.65	0.88	7.5	3.4
RLH36S	3'-6" Ledger	42.83	1.09	10.3	4.7
RLH39	3'-9" Ledger	45	1.15	11.7	5.3
RLH52	5'-2" Ledger	62	1.57	14.7	6.7
RLH70	7' Ledger	84	2.13	18.7	8.5
RLH100	10' Ledger	120	3.05	26.7	12.1

## DOUBLE LEDGERS



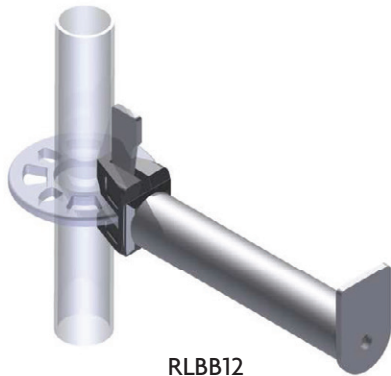
Product Code	Description	Bay Length		Weight	
		Inches	Meters	Lb	Kg
RLDL52	5'-2" Double Ledger	62	1.57	27.3	12.4
RLDL69	6'-9" Double Ledger	81	2.07	34.4	15.6
RLDL70	7' Double Ledger	84	2.13	34.4	15.6
RLDL80	8' Double Ledger	96	2.44	40.7	18.5
RLDL86	8'-6" Double Ledger	102	2.57	41.0	18.6
RLDL100	10' Double Ledger	120	3.05	51.7	23.5

## LATTICE GIRDER

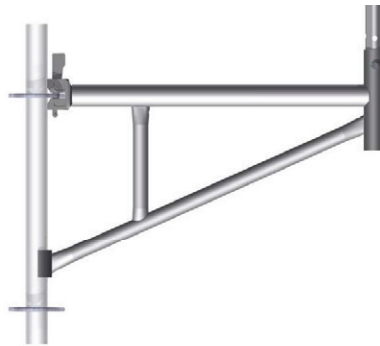


Product Code	Description	Bay Length		Weight	
		Inches	Meters	Lb	Kg
RLLG07	7' Lattice Girder	84	2.13	50	22.7
RLLG086	8'-6" Lattice Girder	102	2.57	63	28.4
RLLG10	10' Lattice Girder	120	3.05	75	34.0
RLLG14	14' Lattice Girder	168	4.27	98	44.5
RLLG16	16' Lattice Girder	192	4.88	109	49.4
RLLG18	18' Lattice Girder	216	5.49	123	55.8
RLLG20	20' Lattice Girder	240	6.10	143	64.9
RLLG21	21' Lattice Girder	252	6.40	147	66.7
RLLG28	28' Lattice Girder	336	8.53	200	90.7

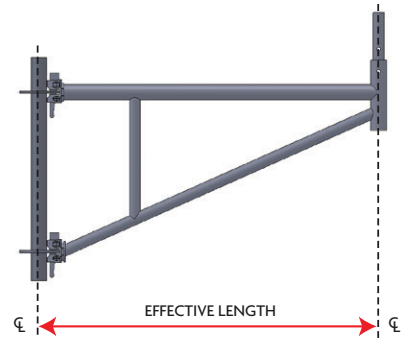
## BOARD BRACKET



RLBB12



RLBB16, RLBB20, RLBB22, RLBB25, RLBB211



RLBB30, RLBB33, RLBB36S

### Imperial Sizes

Product Code	Description	Bay Length		Weight	
		Inches	Meters	Lb	Kg
RLBB12	12" Board Bracket	12.60	0.32	9.4	4.3
RLBB20	24" Board Bracket	24.02	0.61	12.9	5.8
RLBB30	36" Board Bracket	36.18	0.92	19.7	8.9
RLBB36S	42" Board Bracket	41.93	1.07	20.8	9.5

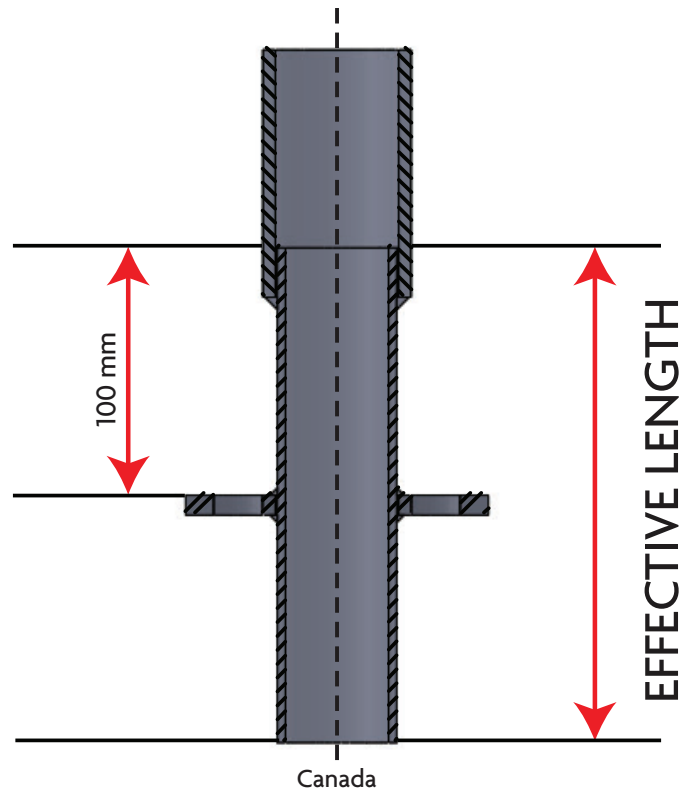
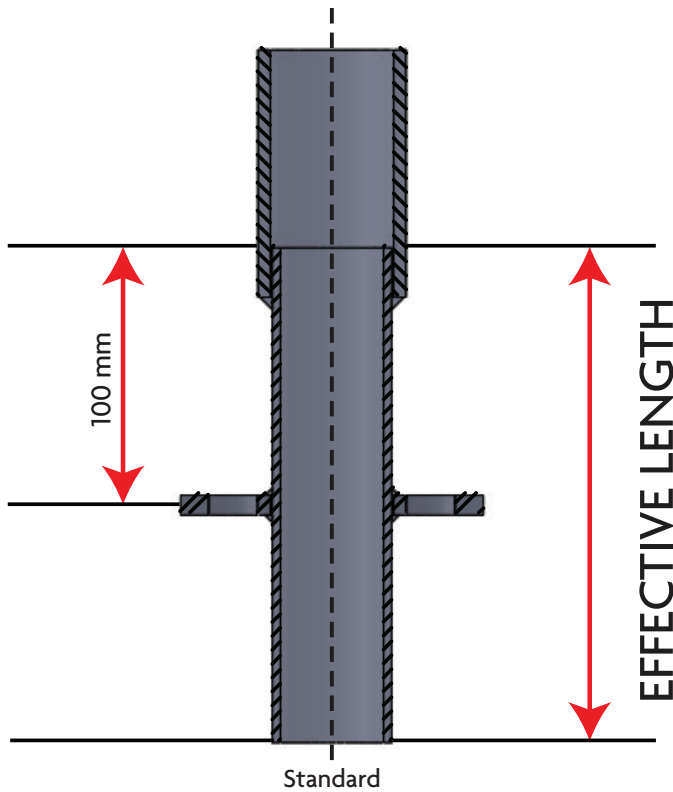
### Canadian Sizes

Product Code	Description	Bay Length		Weight	
		Inches	Meters	Lb	Kg
RLBB12	12" Board Bracket	12.60	0.32	9.4	4.3
RLBBC22	25" Board Bracket	25.59	0.65	13.1	5.9
RLBBC211	34" Board Bracket	34.64	0.88	16.6	7.5
RLBBC39	45" Board Bracket	45.28	1.15	21.5	9.7

### Metric Sizes

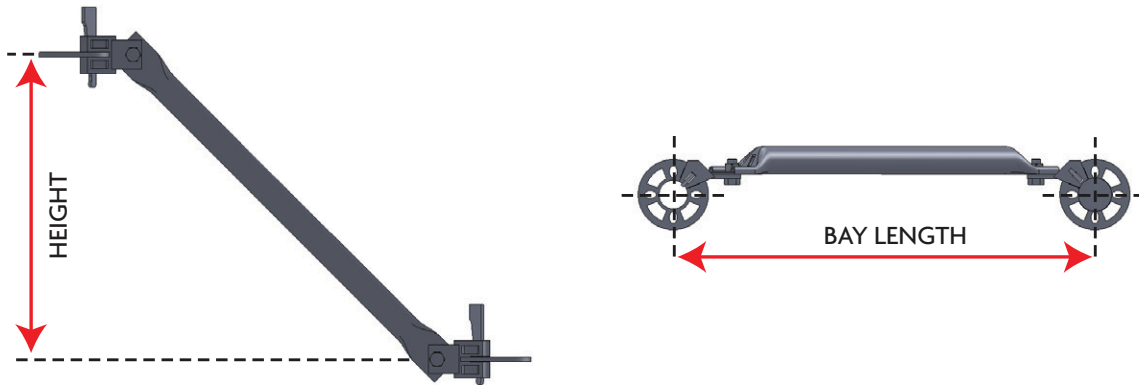
Product Code	Description	Bay Length		Weight	
		Inches	Meters	Lb	Kg
RLBB16	16" Board Bracket	15.75	0.40	10.1	4.6
RLBB22	25" Board Bracket	25.59	0.65	13.1	5.9
RLBB25	29" Board Bracket	29.02	0.74	14.7	6.7
RLBB211	34" Board Bracket	34.64	0.88	16.6	7.5
RLBB33	39" Board Bracket	39.17	1.00	21.5	9.7
RLBB36	42 <sup>13</sup> / <sub>16</sub> " Board Bracket	42.8	1.08	21.2	9.6
RLBB39	3'9" Board Bracket	45.3	1.15	23.4	10.6

## STARTER COLLAR



Product Code	Description	Effective Length		Weight	
		Inches	Meters	Lb	Kg
RLBC-S	Starter Collar Short	6.46	0.16	3.7	1.7
RLBC-L	Starter Collar Long	7.87	0.20	4.5	2.1
RLBC-C	Starter Collar Canada	8.27	0.21	4.5	2.1

## VERTICAL DIAGONAL



Imperial Sizes							
Product Code	Description	Bay Length		Height		Weight	
		Inches	Meters	Inches	Meters	Lb	Kg
RLVD30	3' Vert. Diag.	36	0.91	78.74	2	10.4	4.7
RLVD36S	3'-6" Vert. Diag.	42	1.07	78.74	2	12.2	5.5
RLVD40	4' Vert. Diag.	48	1.22	78.74	2	13.93	6.3
RLVD50	5' Vert. Diag.	60	1.52	78.74	2	17.4	7.9
RLVD60	6' Vert. Diag.	72	1.83	78.74	2	20.9	9.5
RLVD70	7' Vert. Diag.	84	2.13	78.74	2	24.4	11.1
RLVD80x1	8' Vert. Diag.	96	2.44	39.37	1	14	6.4
RLVD80x15	8' Vert. Diag.	96	2.44	59.1	1.5	27.9	12.7
RLVD80	8' Vert. Diag.	96	2.44	78.74	2	27.9	12.7
RLVD100	10' Vert. Diag.	120.08	3.05	78.74	2	34.8	15.8

Please contact a sales representative about availability of different sizes.





## VERTICAL DIAGONAL

Metric Sizes							
Product Code	Description	Bay Width		Height		Weight	
		Inches	Meters	Inches	Meters	Lb	Kg
RLVD36	3'-6" Vert. Diag.	42	1.09	78.74	2	12.2	5.5
RLVD43	4'-3" Vert. Diag.	51	1.29	78.74	2	14.8	6.7
RLVD410	4'-10" Vert. Diag.	58	1.48	78.74	2	16.8	7.6
RLVD52	5'-2" Ver. Diag.	62	1.57	78.74	2	17.9	8.1
RLVD69	6'-9" Vert. Diag.	81	2.07	78.74	2	23.5	10.7
RLVD70	7' Vert. Diag.	84	2.13	78.74	2	24.4	11.1
RLVD86	8'-6" Vert. Diag.	102	2.57	78.74	2	29.6	13.4
RLVD100	10' Vert. Diag.	120.08	3.05	78.74	2	34.8	15.8

Canadian Sizes							
Product Code	Description	Bay Width		Height		Weight	
		Inches	Meters	Inches	Meters	Lb	Kg
RLVD36S	3'-6" Vert. Diag.	42	1.07	78.74	2	12.2	5.5
RLVD39	3'-9" Vert. Diag.	45	1.15	78.74	2	13.1	5.9
RLVD52	5'-2" Ver. Diag.	62	1.57	78.74	2	17.9	8.1
RLVD70	7' Vert. Diag.	84	2.13	78.74	2	24.4	11.1
RLVD100	10' Vert. Diag.	120.08	3.05	78.74	2	34.8	15.8

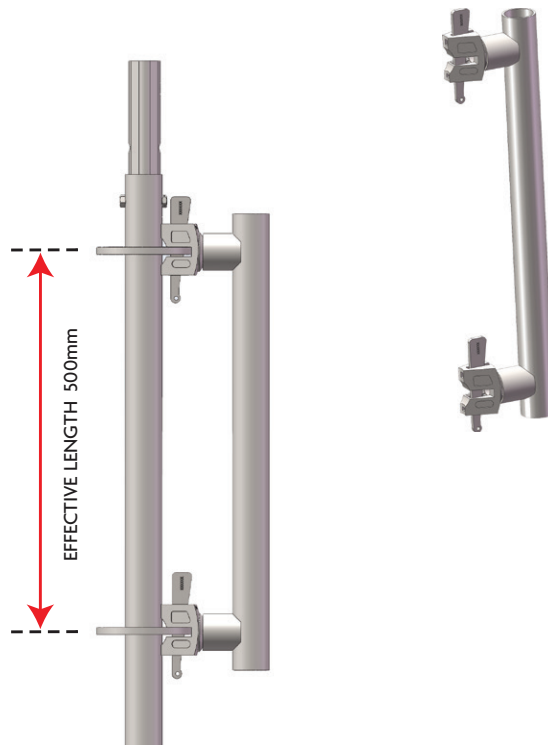
Please contact a sales representative about availability of different sizes.

## GUARDRAIL POSTS



Product Code	Description	Effective Length		Weight	
		Inches	Meters	Lb	Kg
RLGRP	Ring Lock Guardrail Post	59.1	1.5	20.1	9.1

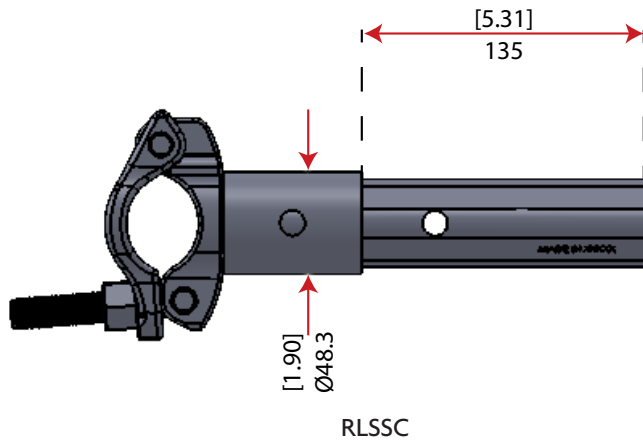
## SUSPENDED CONNECTOR



Product Code	Description	Effective Length		Weight	
		Inches	Meters	Lb	Kg
RLSC	Ring Lock Suspended Connector	19.7	0.50	7.1	3.2

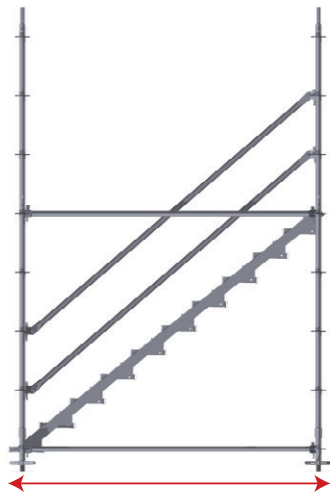
Ring lock Suspended Connector is intended to be used in pairs.

## SUPPORT SPIGOT CLAMPS

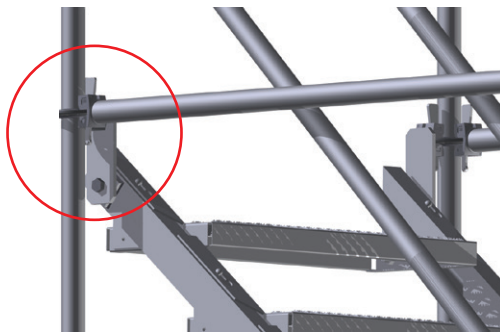


Product Code	Description	Weight	
		Lb	Kg
RLSSC	Support Spigot Clamp with I-Bolt Clamp	5.2	2.4
RLSSW	Support Spigot with Wedge Clamp	5.2	2.4

## STAIR STRINGERS AND STEPS



BAY LENGTH



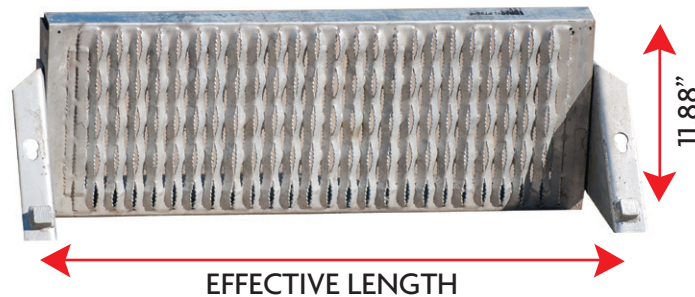
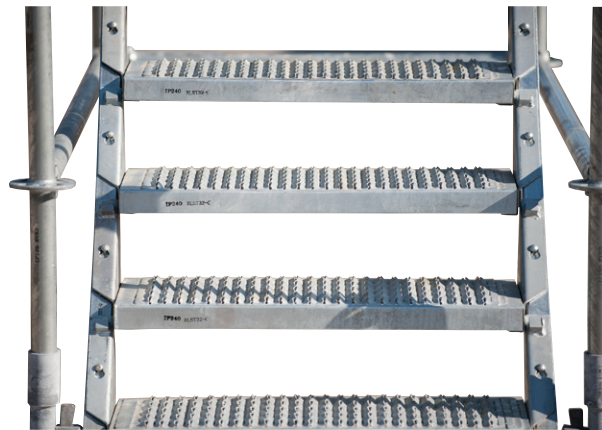
OFFSET STRINGER



STRAIGHT CHANNEL

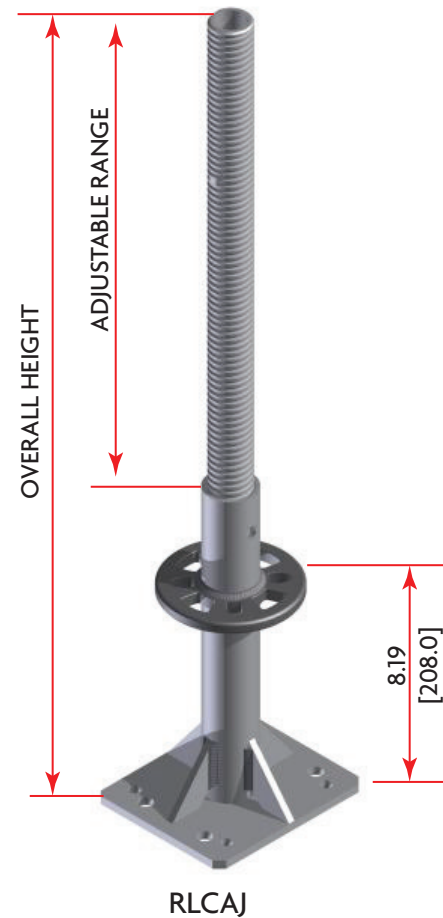
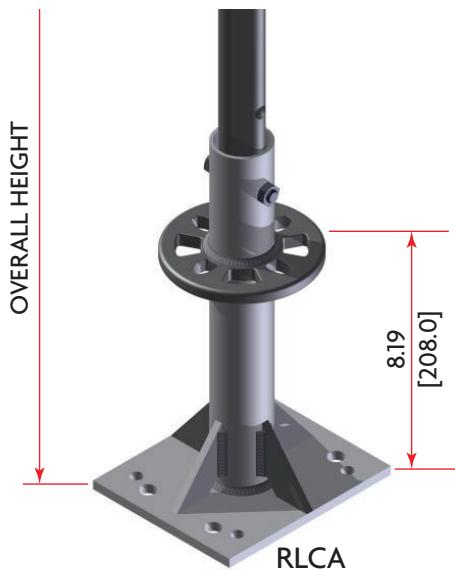
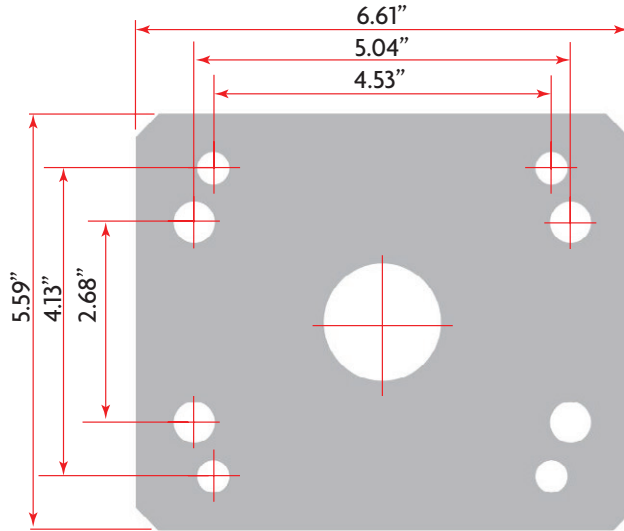
Product Code	Description	Bay Length		Height		Weight	
		Ft-In	Meters	Inches	Meters	Lb	Kg
RLSS7	7' Ring Stair Stringer (Offset)	7'	2.14	6'-6"	2	39.7	18.0
RLSS7-C	7' Ring Stair Stringer (Straight)	7'	2.14	6'-6"	2	52.9	24.0
RLSS8	8' Ring Stair Stringer (Straight)	8'	2.44	6'-6"	2	34.6	15.7
RLSS86	8'-6" Ring Stair Stringer (Straight)	8'-6"	2.6	6'-6"	2	35.3	16.0

## STAIR STRINGERS AND STEPS



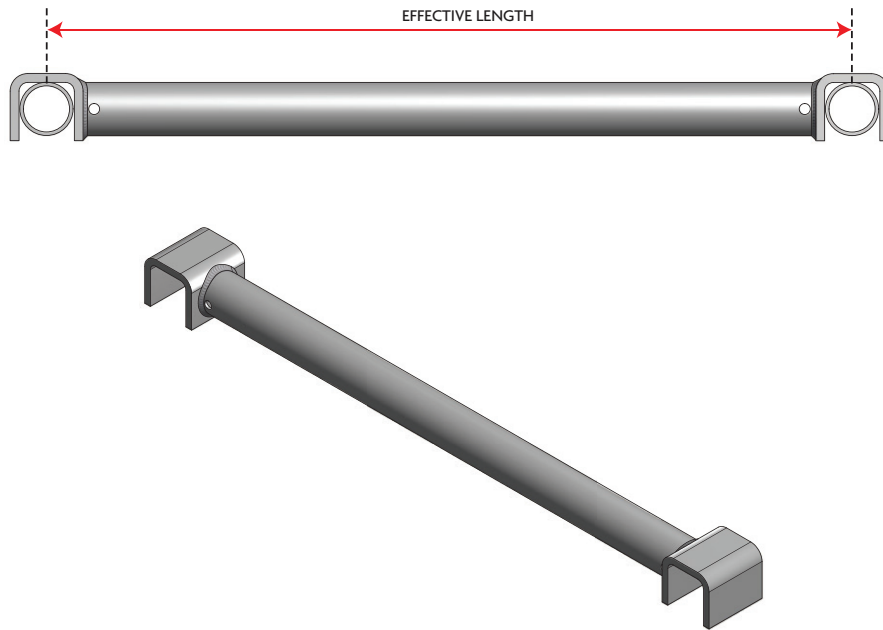
Product Code	Description	Effective Length		Tread Length		Weight	
		Inches	Meters	Inches	Meters	Lb	Kg
RLST32C	32" Ring Lock Stair Tread w/ L&R Hangers (For RLSS7-C)	33.75	0.86	31.57	0.8	21.4	9.7
RLST36	30" Ring Lock Stair Tread w/ L&R Hangers (for RLSS7)	32.18	0.82	30.01	0.76	13.9	6.3
RLST40	37.8" Ring Lock Stair Tread w/ L&R Hangers (for RLSS8)	40.02	1.02	37.85	0.96	15.7	7.1
RLST43	40.5" Ring Lock Stair Tread w/ L&R Hangers (For RLSS86)	42.67	1.08	40.5	1.03	18.5	8.4

## RING LOCK CASTER ADAPTERS



Product Code	Description	Overall Height		Adjustable Range		Weight	
		Inches	Meters	Inches	Meters	Lb	Kg
RLCAJ	Ring Lock Adjustable Caster Adapter	30.35	0.8	12.24	0.3	15.3	7
RLCA	Ring Lock Caster Adapter	12.13	0.3	N/A	N/A	10.2	4
RLCAL	Ring Lock Caster Adapter Canadian	12.13	0.3	N/A	N/A	10.2	4

## INTERMEDIATE TRANSOM



Product Code	Description	Effective Length		Weight	
		Inches	Meters	Lb	Kg
RLTI24*	2'-4" Intermediate Transom	28.82	0.73	9.4	4.28
RLTI30*	3' Intermediate Transom	35.98	0.91	10.9	4.94
RLTI36S	3'-6" Intermediate Transom	41.96	1.07	12.1	5.5
RLTI36*	3'-6" Intermediate Transom	42.83	1.09	12.3	5.58
RLTI39	3'-9" Intermediate Transom	45.28	1.2	12.8	5.81
RLTI410*	4'-10" Intermediate Transom	58.43	1.5	15.5	7.03
RLTI52	5'-2" Intermediate Transom	61.89	1.6	16.2	7.36
RLTI70	7' Intermediate Transom	83.86	2.1	20.7	9.4

\*Item not stocked





SYSTEM SCAFFOLD CATALOG  
DSSCAT  
UPDATED: 03/24/2017



---

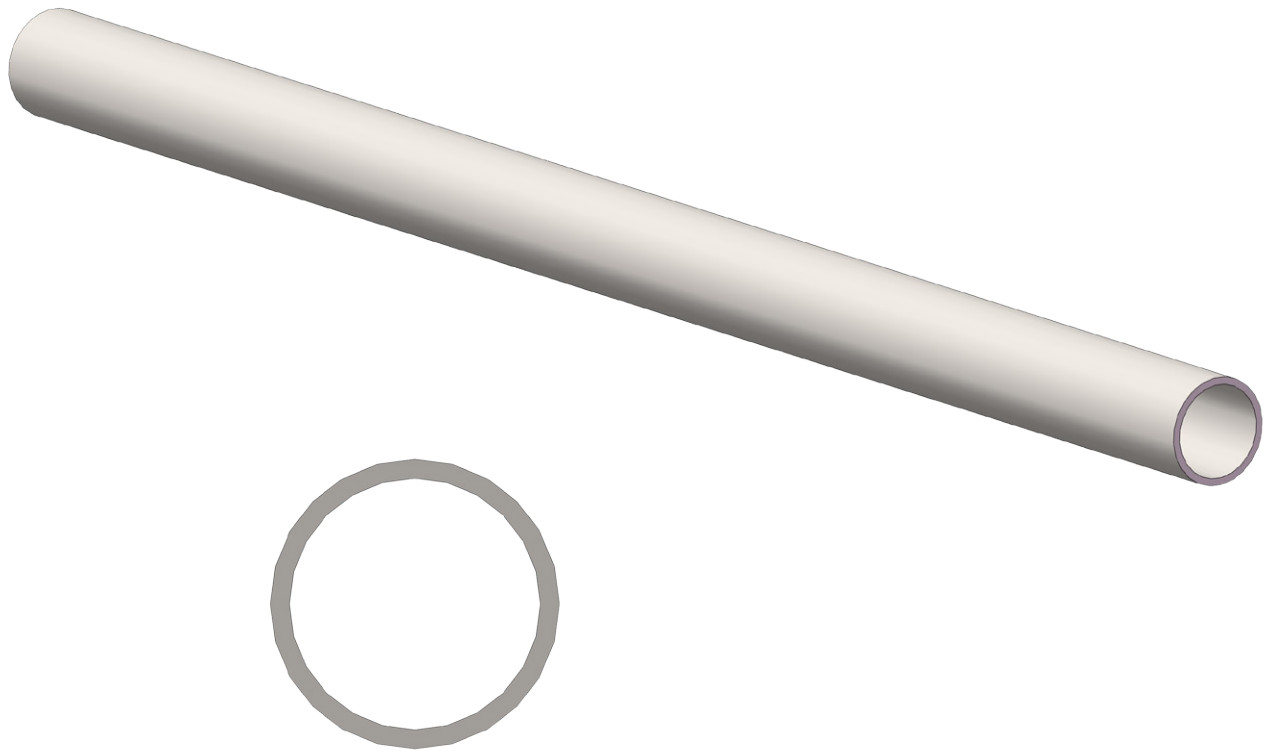
# SPEED RING SECTION

---

World Headquarters: 6059 South Loop East | Houston, TX 77087 | Offices In: Hong Kong | China | Latin America | Canada

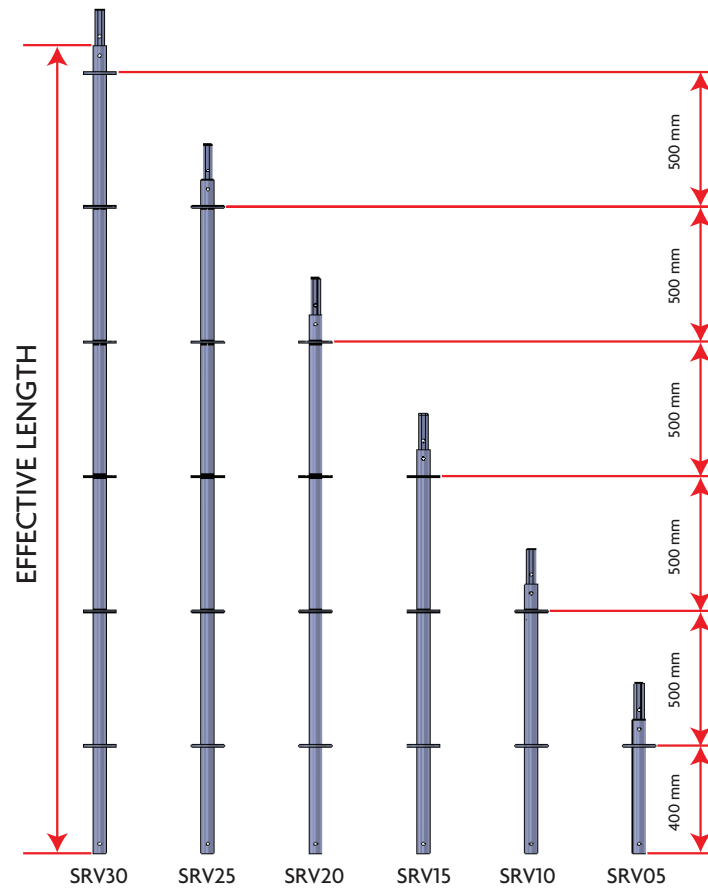
713-673-7701 Phone | 800-720-6629 Toll Free | [www.dss.net](http://www.dss.net)

## SPEED RING TUBE SPECIFICATIONS



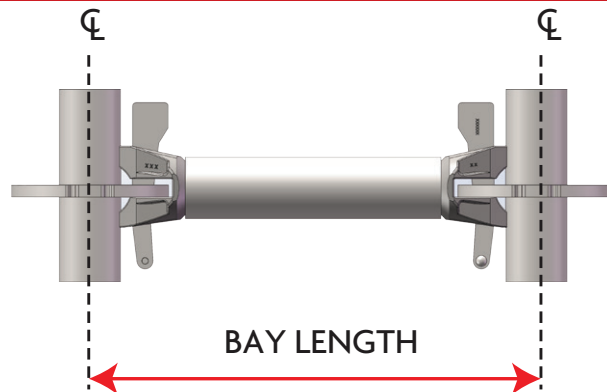
	Diameter	Thickness	Minimum Tensile		Minimum Yield	
	mm	mm	Mpa	ksi	Mpa	ksi
SRV	48.3	3	414	60	345	50
SRH	49.3	3	414	60	345	50
SRD	50.3	2.4	414	60	345	50

## SPEED RING VERTICALS



Product Code	Description	Effective Length Meters	Weight Kg
SRV05	Speed Ring Vertical 0.5M 1 Ring	0.50	2.97
SRV10	Speed Ring Vertical 1.0M 2 Ring	1.00	5.16
SRV15	Speed Ring Vertical 1.5M 3 Ring	1.50	7.31
SRV20	Speed Ring Vertical 2.0M 4 Ring	2.00	9.47
SRV25	Speed Ring Vertical 2.5M 5 Ring	2.50	11.63
SRV30	Speed Ring Vertical 3.0M 6 Ring	3.00	13.78

## SPEED RING HORIZONTALS

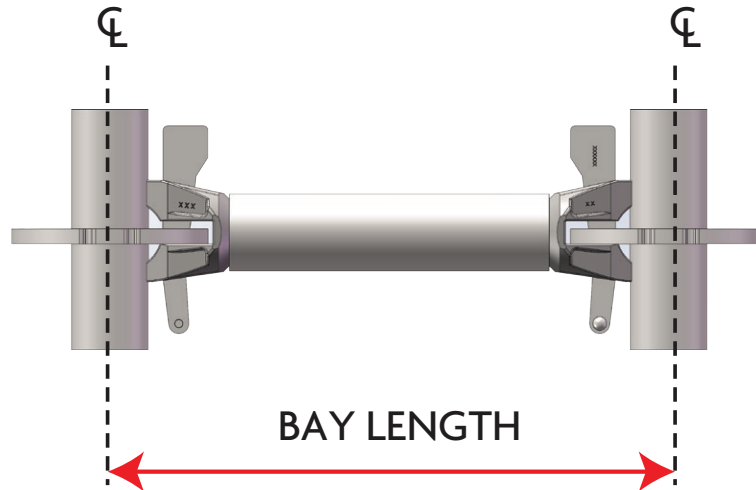


Product Code	Description	Bay Length Meters	Weight Kg
SRH040	Speed Ring Horizontal 0.4 meter	0.4	
SRH050	Speed Ring Horizontal 0.5 meter	0.5	2.21
SRH061	Speed Ring Horizontal 0.61 meter	0.61	
SRH065	Speed Ring Horizontal 0.65 meter	0.65	2.87
SRH070	Speed Ring Horizontal 0.70 meter	0.70	
SRH073	Speed Ring Horizontal 0.73 meter	0.73	2.99
SRH074	Speed Ring Horizontal 0.74 meter	0.74	3.01
SRH091	Speed Ring Horizontal 0.91 meter	0.91	
SRH107	Speed Ring Horizontal 1.07 meter	1.07	4.1
SRH109	Speed Ring Horizontal 1.09 meter	1.09	4.19
SRH115	Speed Ring Horizontal 1.15 meter	1.15	4.43
SRH122	Speed Ring Horizontal 1.22 meter	1.22	
SRH140	Speed Ring Horizontal 1.40 meter	1.4	5.23
SRH150	Speed Ring Horizontal 1.50 meter	1.5	5.56
SRH152	Speed Ring Horizontal 1.52 meter	1.52	5.64

(Safe Working Loads are based on a 4:1 Safety Factor.)

\*Other sizes available upon request

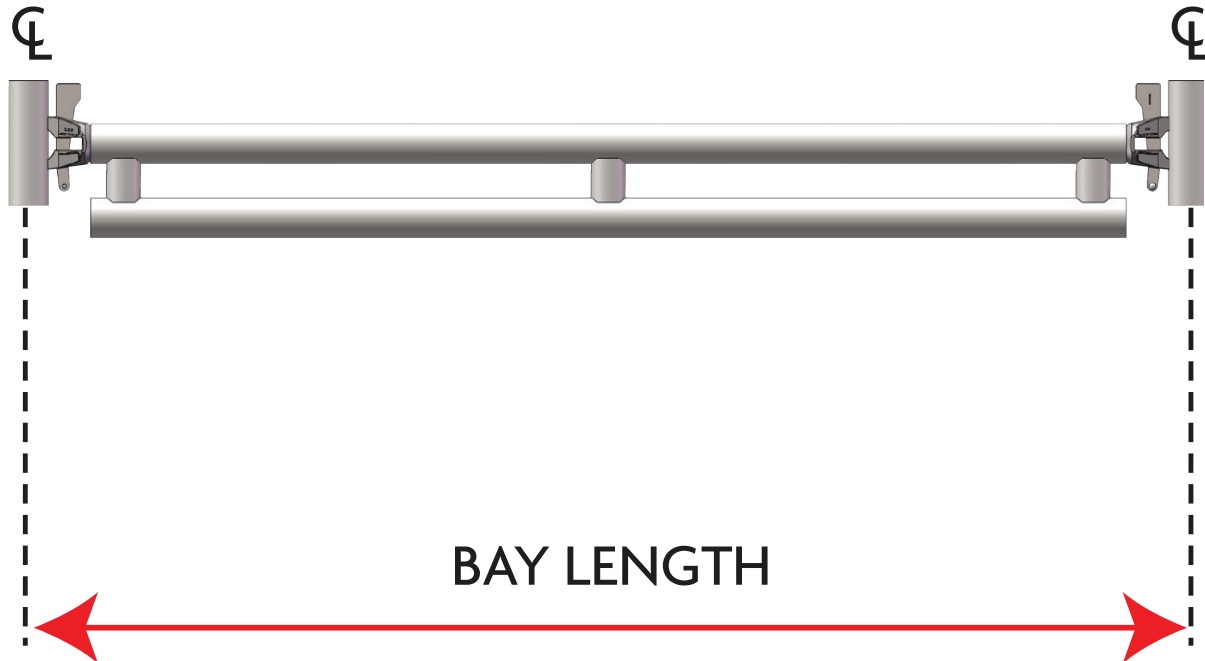
## SPEED RING HORIZONTALS CONT.



Product Code	Description	Bay Length Meters	Weight Kg
SRH157	Speed Ring Horizontal 1.57 meter	1.57	5.82
SRH183	Speed Ring Horizontal 1.83 meter	1.83	6.76
SRH207	Speed Ring Horizontal 2.07 meter	2.07	7.48
SRH213	Speed Ring Horizontal 2.13 meter	2.13	7.68
SRH244	Speed Ring Horizontal 2.44 meter	2.44	8.8
SRH257	Speed Ring Horizontal 2.57 meter	2.57	9.16
SRH300	Speed Ring Horizontal 3.00 meter	3	10.59
SRH305	Speed Ring Horizontal 3.05 meter	3.05	10.77
SRH307	Speed Ring Horizontal 3.07 meter	3.07	10.83

(Safe Working Loads are based on a 4:1 Safety Factor.)

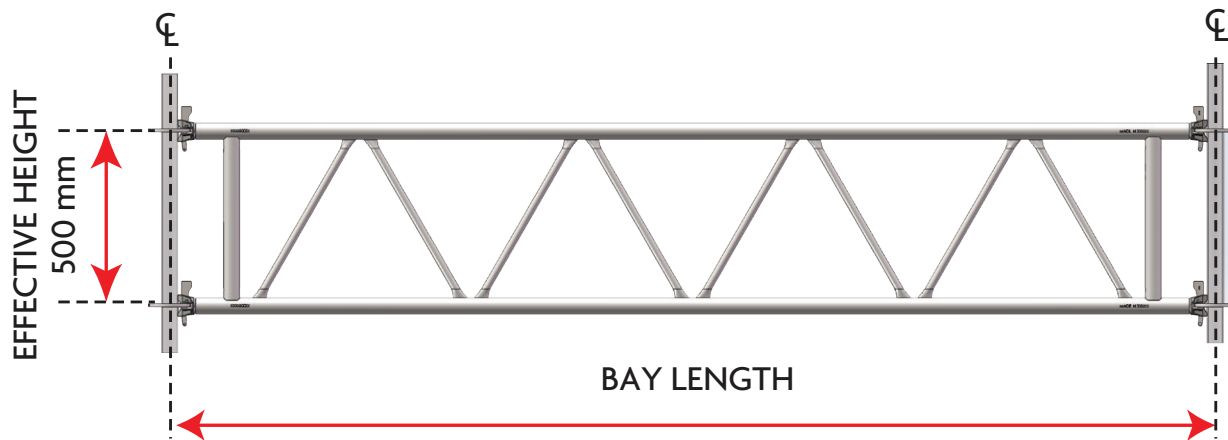
## SPEED RING DOUBLE LEDGER



Product Code	Description	Bay Length Meters	Weight Kg
SRDL140	Speed Ring Double Ledger 1.40 meter	1.4	8.53
SRDL150	Speed Ring Double Ledger 1.50 meter	1.5	9.2
SRDL152	Speed Ring Double Ledger 1.52 meter	1.52	9.34
SRDL157	Speed Ring Double Ledger 1.57 meter	1.57	9.68
SRDL207	Speed Ring Double Ledger 2.07 meter	2.07	13.1
SRDL213	Speed Ring Double Ledger 2.13 meter	2.13	15.52
SRDL257	Speed Ring Double Ledger 2.57 meter	2.57	16.52
SRDL305	Speed Ring Double Ledger 3.05 meter	2.57	16.52

(Safe Working Loads are based on a 4:1 Safety Factor.)  
 \*Other sizes available upon request

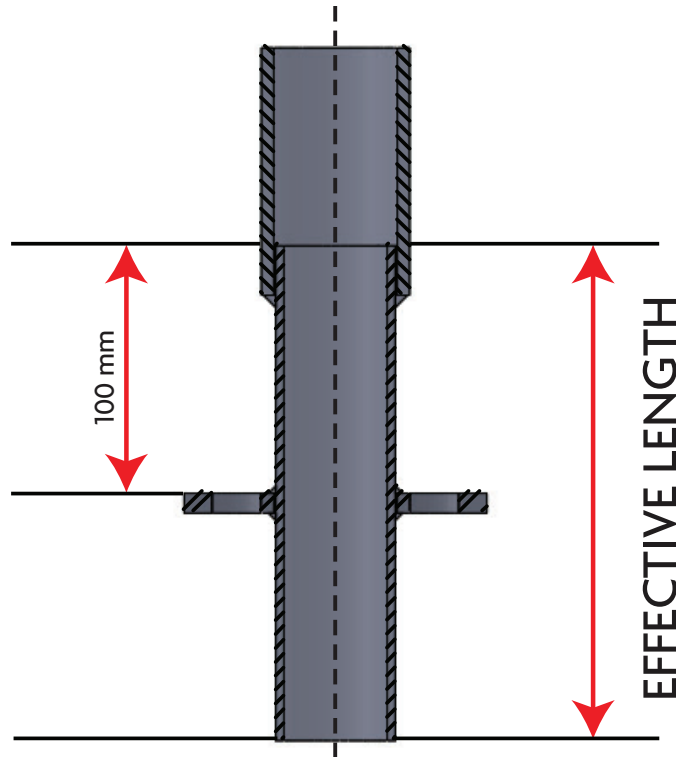
## SPEED RING LATTICE GIRDER



Product Code	Description	Bay Length Meters	Weight Kg
SRLG300	Speed Ring Lattice Girder 3.00 Meter	3.00	29.35
SRLG305	Speed Ring Lattice Girder 3.05 Meter	3.05	29.70
SRLG307	Speed Ring Lattice Girder 3.07 Meter	3.07	29.83
SRLG488	Speed Ring Lattice Girder 4.88 Meter	4.88	45.82
SRLG610	Speed Ring Lattice Girder 6.10 Meter	6.10	55.91

\*Other sizes available upon request

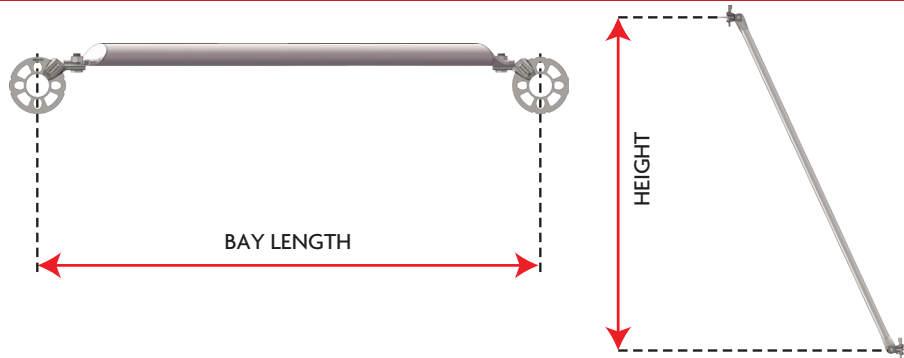
## SPEED RING BASE COLLAR



Product Code	Description	Effective Length		Weight	
		Inches	Meters	Lb	Kg
SRBC	Speed Ring Base Collar	8.27	0.21	3.59	1.63



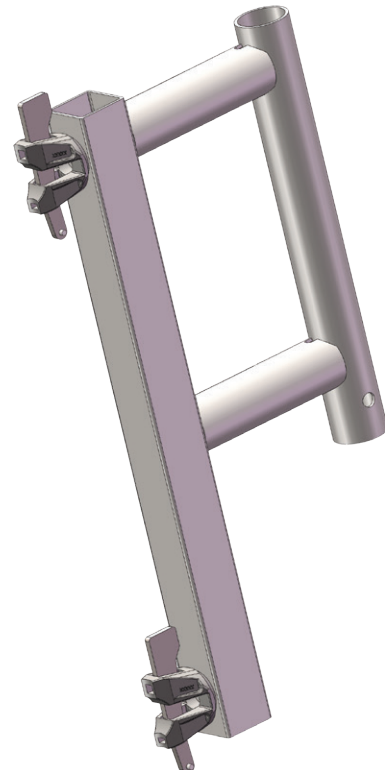
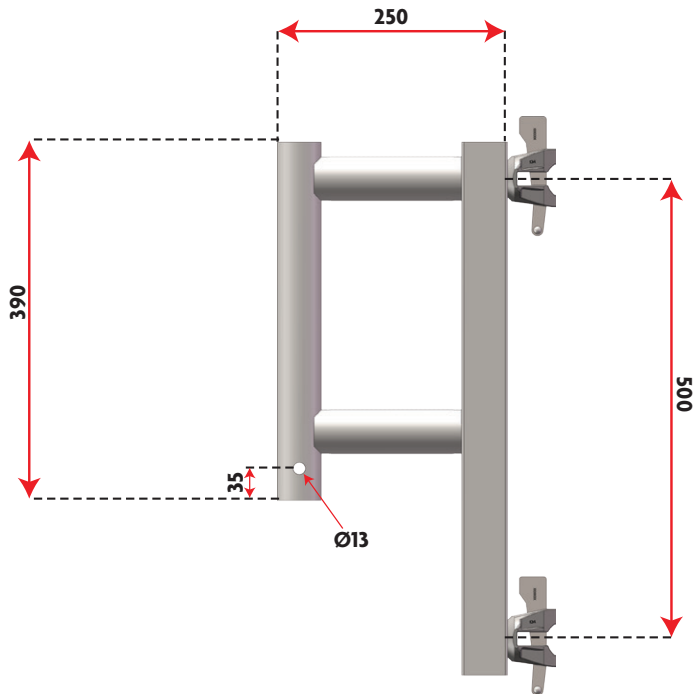
## SPEED RING DIAGONAL



Product Code	Description	Bay Length Meters	Height Meters	Weight Kg
SRD091	Speed Ring Diagonal 0.91x2 Meter	0.91	2	
SRD107	Speed Ring Diagonal 1.07x2 Meter	1.07	2	7.66
SRD109	Speed Ring Diagonal 1.09X2 Meter	1.09	2	7.68
SRD115	Speed Ring Diagonal 1.15X2 Meter	1.15	2	7.78
SRD122	Speed Ring Diagonal 1.22x2 Meter	1.22	2	
SRD140	Speed Ring Diagonal 1.40X2 Meter	1.40	2	8.10
SRD150	Speed Ring Diagonal 1.50X2 Meter	1.50	2	8.25
SRD152	Speed Ring Diagonal 1.52X2 Meter	1.52	2	8.29
SRD157	Speed Ring Diagonal 1.57X2 Meter	1.57	2	8.44
SRD183	Speed Ring Diagonal 1.83X2 Meter	1.83	2	8.97
SRD207	Speed Ring Diagonal 2.07X2 Meter	2.07	2	9.25
SRD213	Speed Ring Diagonal 2.13X2 Meter	2.13	2	9.36
SRD244	Speed Ring Diagonal 2.44X2 Meter	2.44	2	10.11
SRD257	Speed Ring Diagonal 2.57X2 Meter	2.57	2	10.27
SRD300	Speed Ring Diagonal 3.00X2 Meter	3.00	2	11.23
SRD305	Speed Ring Diagonal 3.05X2 Meter	3.05	2	11.34

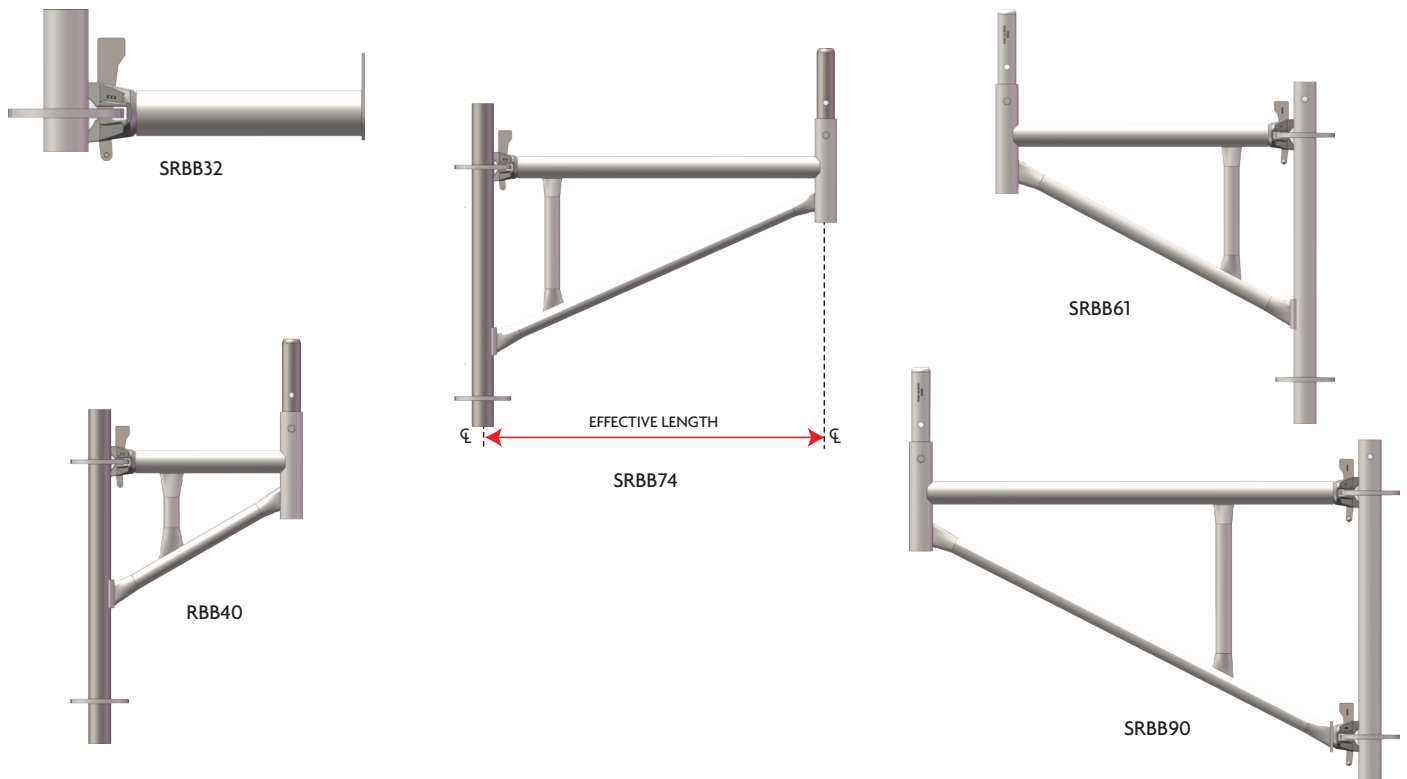
\*Other sizes available upon request

## SPEED RING CASTER OUTRIGGER



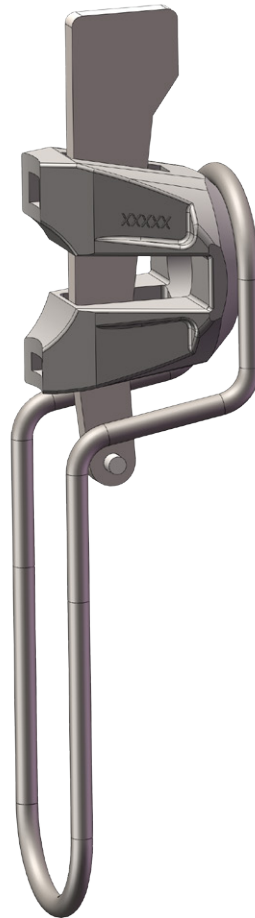
Product Code	Description	Weight Kg	Tube	
			OD	ID
SRCASOR	Speed Ring Caster Outrigger	5.86	48.3	42.3

## SPEED RING BOARD BRACKET



Product Code	Description	Effective Length Meters	Weight Kg
SRBB32	Speed Ring Board Bracket 0.32 Meter	0.32	1.54
SRBB40	Speed Ring Board Bracket 0.40 Meter	0.40	4.26
SRBB61	Speed Ring Board Bracket 0.60 Meter	0.60	5.53
SRBB75	Speed Ring Board Bracket 0.74 Meter	0.74	6.20
SRBB92	Speed Ring Board Bracket 0.92 Meter	0.92	7.81

## SPEED RING BASE JACK HOLDER



Product Code	Description	Weight Kg
SRBJH	Speed Ring Base Jack Holder	5.86



SYSTEM SCAFFOLD CATALOG  
DSSCAT  
UPDATED: 03/24/2017

## SYSTEM SCAFFOLD CATALOG



---

# ACCESSORIES SECTION

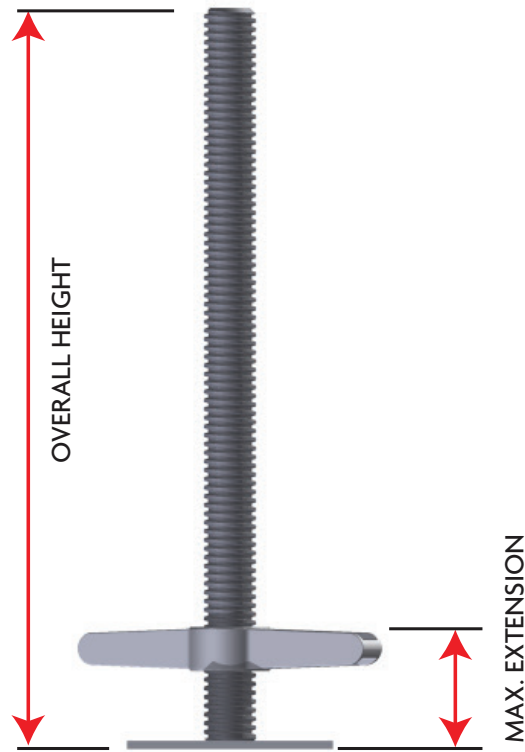
---

World Headquarters: 6059 South Loop East | Houston, TX 77087 | Offices In: Hong Kong | China | Latin America | Canada

713-673-7701 Phone | 800-720-6629 Toll Free | [www.dss.net](http://www.dss.net)

[CLICK TO RETURN TO  
TABLE OF CONTENTS](#)

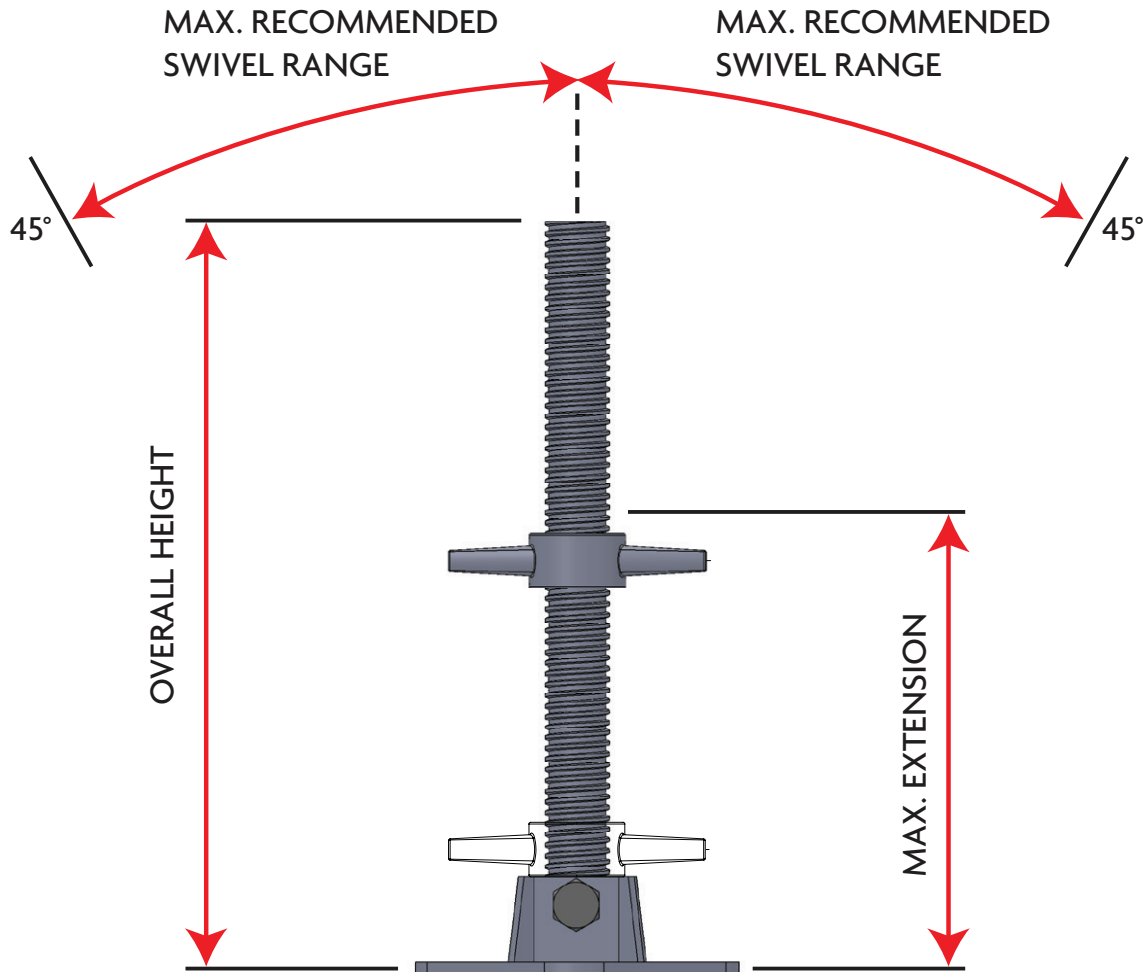
## SYSTEM JACK WITH BASE PLATE



Product Code	Description	Max. Extension		Overall Height		Weight	
		Inches	Meters	Inches	Meters	Lb	Kg
BPSJB	21 In System Jack	15	0.38	21.22	0.54	8.2	3.7
BPSJB61*	24 In System Jack	18	0.46	24.31	0.62	9.0	4.1
BPSJB-20*	20 Cm System Jack	5	0.13	7.87	0.20	5.4	2.4
BPSJB-30*	30 Cm System Jack	7.5	0.19	11.81	0.30	6.3	2.9
BPSJB-40*	40 Cm System Jack	10	0.26	15.75	0.40	7.2	3.3
BPSJB-80*	80 Cm System Jack	21	0.53	31.50	0.80	10.8	4.9

\*Item not stocked

## SWIVEL SYSTEM JACK



**Disclaimer:** Swivel jacks should be anchored to the structural surface or restrained. Anchors, bolts or restraints must hold 4 times the shear force that will be applied on the slope. If the angle will exceed 45° consult a Professional Engineer before erecting your structure. DSS/GSD recommends that you always consult a Professional Engineer before erecting a scaffold structure.

Product Code	Description	Max. Extension		Overall Height		Weight	
		Inches	Meters	Inches	Meters	Lb	Kg
BPSJS	Swivel System Jack 21"	14	0.37	20.98	0.53	9.0	4.1
BPSJS69	Swivel System Jack 27"	17	0.44	29.34	0.69	10.6	4.8

## UNIVERSAL SYSTEM SPIGOT

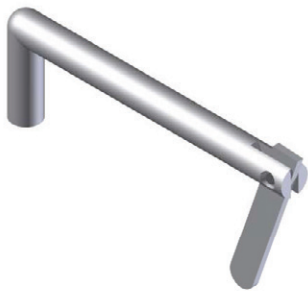


Product Code	Description	Weight	
		Lb	Kg
PN-UCP	Universal System Spigot	1.7	0.8

The Universal System Spigot can be used in both Ring Lock and Cup Lock Systems.



## PINS



PN-HP3



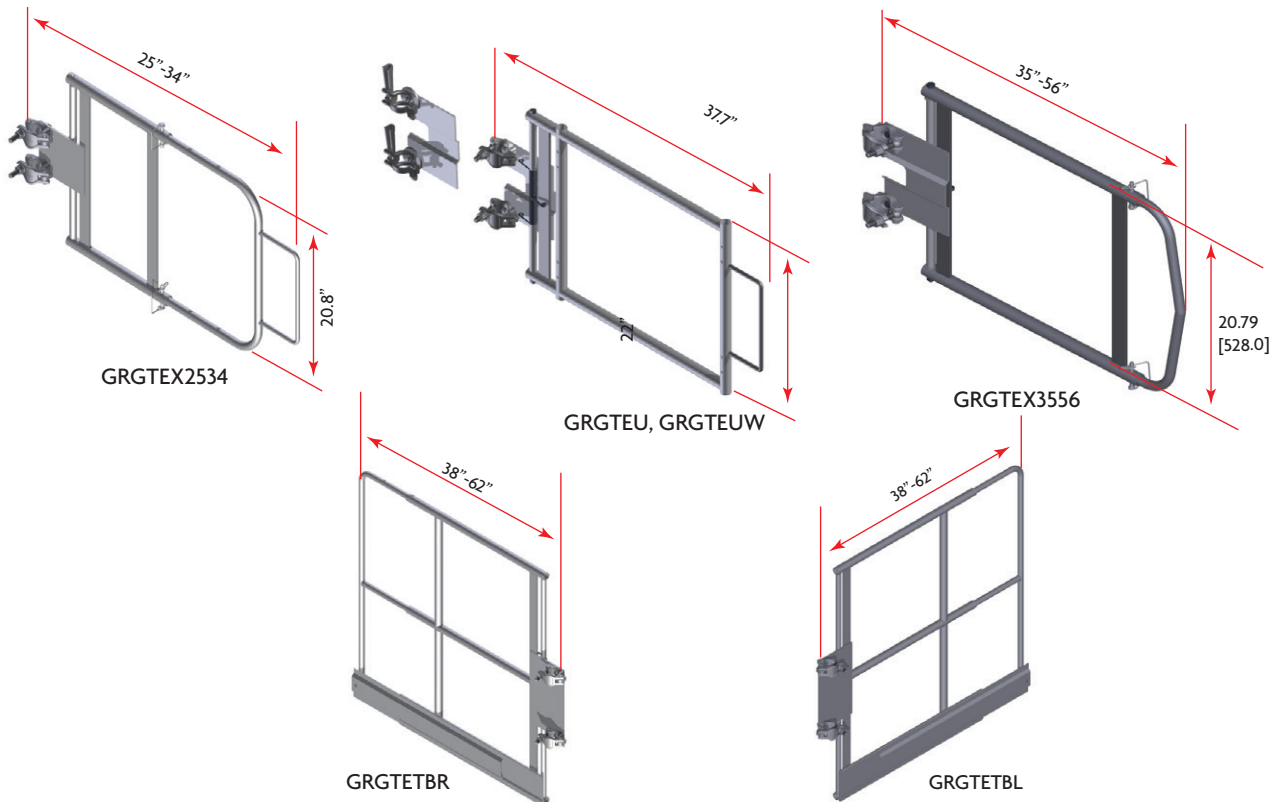
PN-SP125



PN-PTPU

Product Code	Description	Pin Diameter		Weight	
		Inches	Meters	Lb	Kg
PN-HP3	3" Hinge Pin	0.36	0.0091	0.2	0.1
PN-SP125	1/4" X 1-1/4" Snap Pin	0.23	0.0058	0	0
PN-SP2	2" Snap Pin	0.047	0.0012	0.1	0.1
PN-PTPU	Pig Tail Pin Universal (1.69 - 1.9)	0.35	0.0089	0.2	0.1

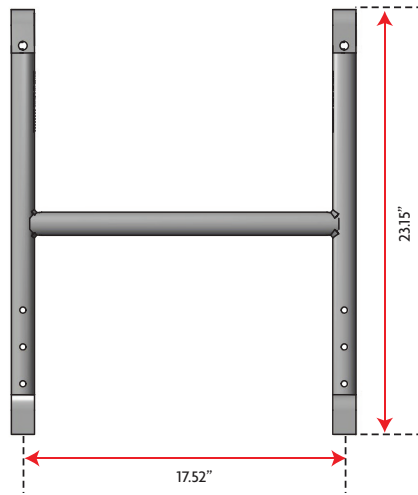
## GATES



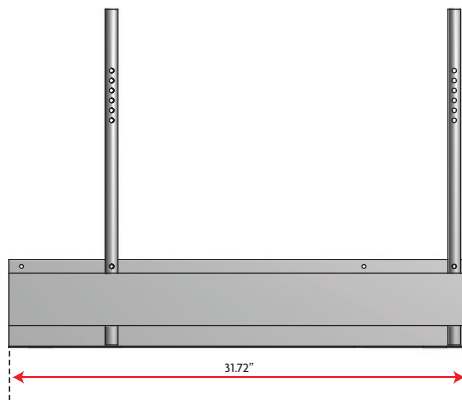
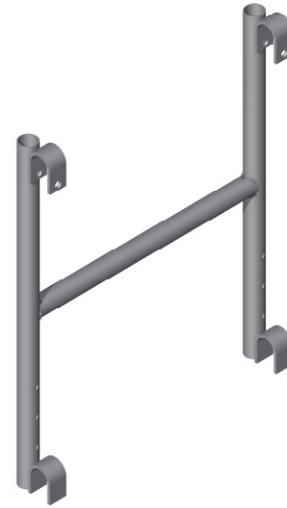
Product Code	Description	Min Extension		Max Extension	
		Inches	Meters	Inches	Meters
GRGTEX2534	Gate Expandable 25" to 34"	25	0.64	34	0.81
GRGTEX3356	Gate Expandable 35" to 56"	35	0.89	56	1.4
GRGTETBR*	Expandable Right Gate w/ Toe Board	37.9	0.96	61.9	1.6
GRGTETBL*	Expandable Left Gate w/ Toe Board	37.9	0.96	61.9	1.6
GRGTEU	Universal Swing Gate	N/A	N/A	37.7	0.96
GRGTEUW	Universal Swing Gate w/ Wedge Clamp	N/A	N/A	37.7	0.96

\*Item Not Stocked

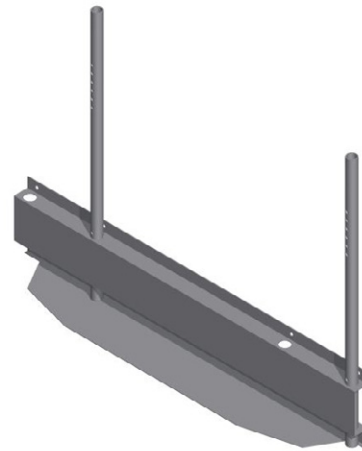
## GATE ADAPTERS



GRGTE-TBA

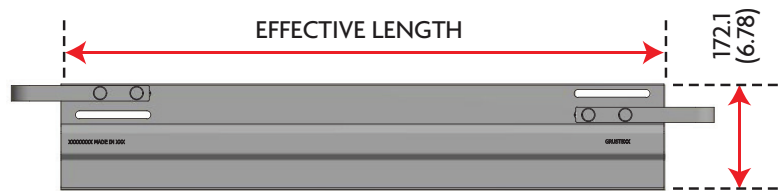


GRGTEU-T



Product Code	Description	Weight	
		Lb	Kg
GRGTE-TBA	Toe Board Adapter for GRGTE	6.8	3.1
GRGTEU-T	Adjustable Toe Board Set	9.7	4.4

## UNIVERSAL TOE BOARD



Product Code	Description	Effective Length		Weight	
		Inches	Meters	Lb	Kg
GRUSTB30	3' Universal Toe Board	32.83	0.834	8.2	3.72
GRUSTB36	3'-6" Universal Toe Board	38.78	0.985	9.96	4.52
GRUSTB39	3'-9" Universal Toe Board	42.13	1.07	10.8	4.90
GRUSTB40	4' Universal Toe Board	44.88	1.14	11.46	5.20
GRUSTB50	5' Universal Toe Board	56.69	1.44	14.33	6.50
GRUSTB52	5'-2" Universal Toe Board	58.66	1.49	14.9	6.76
GRUSTB60	6' Universal Toe Board	68.9	1.75	17.42	7.90
GRUSTB70	7' Universal Toe Board	80.71	2.05	20.5	9.30
GRUSTB80	8' Universal Toe Board	92.91	2.36	23.37	10.60
GRUSTB86	8'-6" Universal Toe Board	98.03	2.49	24.91	11.30
GRUSTB90	9' Universal Toe Board	104.72	2.66	26.46	12.00
GRUSTB100	10' Universal Toe Board	116.93	2.97	29.54	13.40
GRUSTB101	10'-1" Universal Toe Board	117.72	2.99	29.76	13.50

## DAVIT ARMS



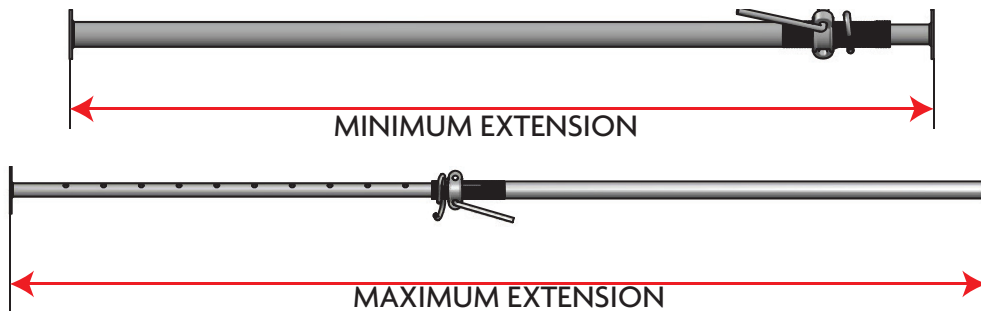
UDA



RLDA

Product Code	Description	Weight	
		Lb	Kg
UDA	Universal Davit Arm	24.7	11.2
RLDA	Ring Lock Davit Arm	23.7	10.7

## MEDIUM DUTY POST SHORE



Product Code	Description	Width		Length		Weight	
		Feet - Inches	Meters	Feet - Inches	Meters	Lb	Kg
SHPS611	Medium Duty Post Shore	11'-6"	3.5	6'-11"	2.096	44	20

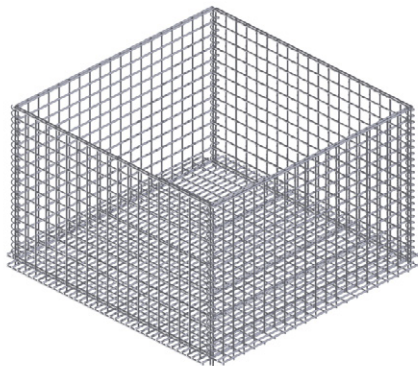
## BASKETS



RKSRB



RKSRO



RKWBI

Product Code	Description	Dimensions	Weight	
			Lb	Kg
RKSRB	Rack Storage Basket	44"x44"x34"	146.45	66
RKSRO	Scaffold Rack	44"x44"x34"	100.24	45
RKWBI	Wire Basket Insert	42"x42"x25"	106.7	48

## CASTERS



CAS8SA



CA8SA, CAS8B

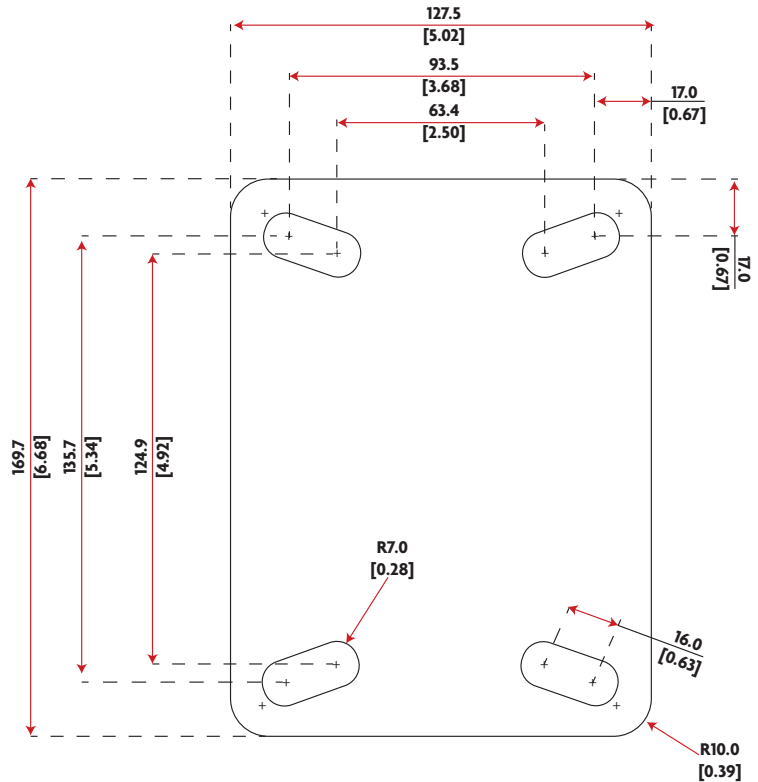
Product Code	Description	Wheel Diameter		Weight		Adjustable Range	
		Inches	Meters	Lb	Kg	Inches	Meters
CAS8A	8" Caster for 1-1/2" Tubing	8"	0.20	11.8	5	N/A	N/A
CAS8B	8" Caster for 1-5/8" or 1-11/16"	8"	0.20	12.2	6	N/A	N/A
CAS8SA	8" Adjustable Stem System Scaffold Caster	8"	0.20	17.9	8	6.00	0.15



## PLATE CASTERS

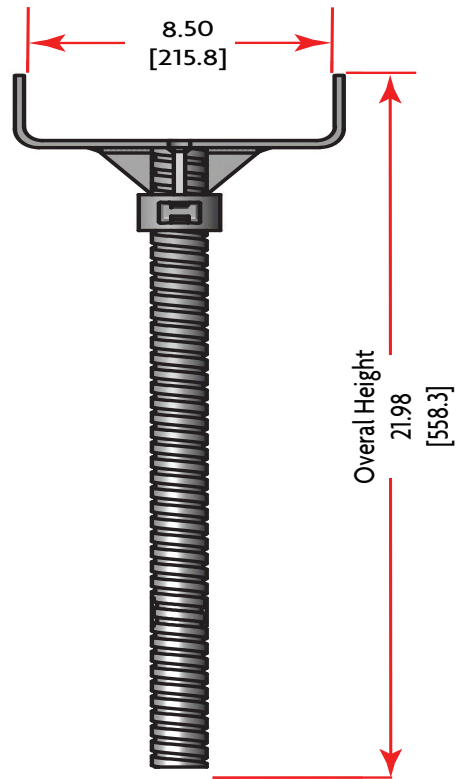
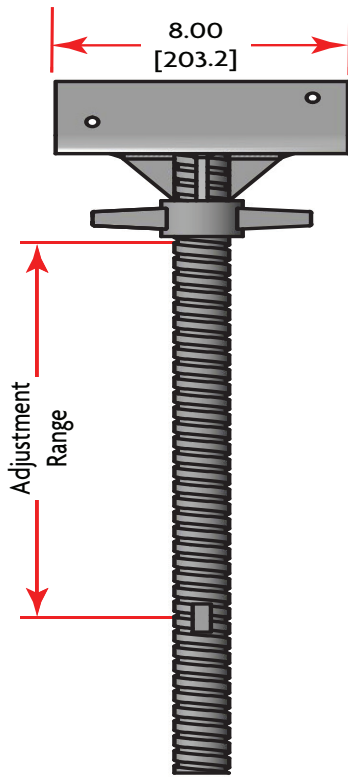


CAS12P



Product Code	Description	Wheel Diameter		Weight		Adjustable Range	
		Inches	Meters	Lb	Kg	Inches	Meters
CAS12P	12" Scaffold Plate Caster	12"	0.30	38.4	17	N/A	N/A

## U-JACK

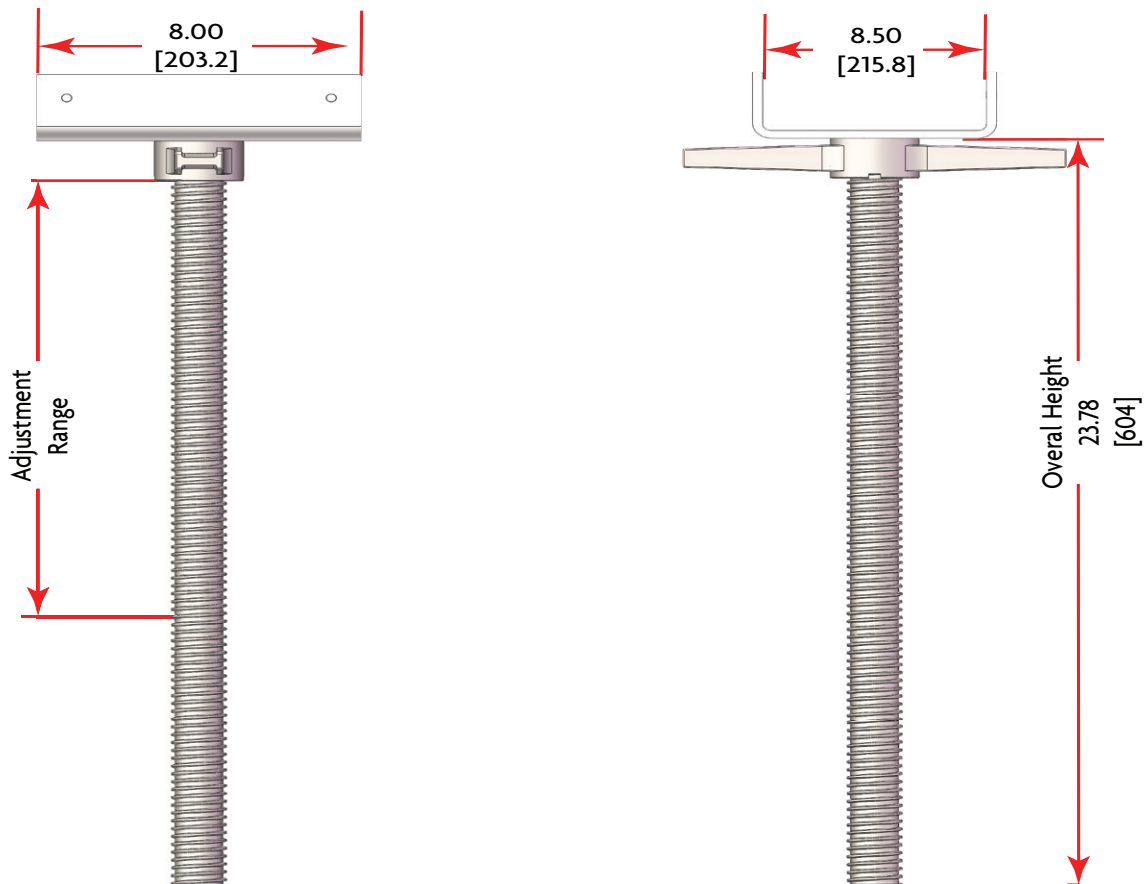


Product Code	Description	Adjustment Range		Weight	
		Inches	Meters	Lb	Kg
BPSJBU89	8"x9" System U- Jack	13.00	0.33	15	6.8

Threaded Tube O.D. 1.5"

Safe working loads are based on a 4:1 safety factor

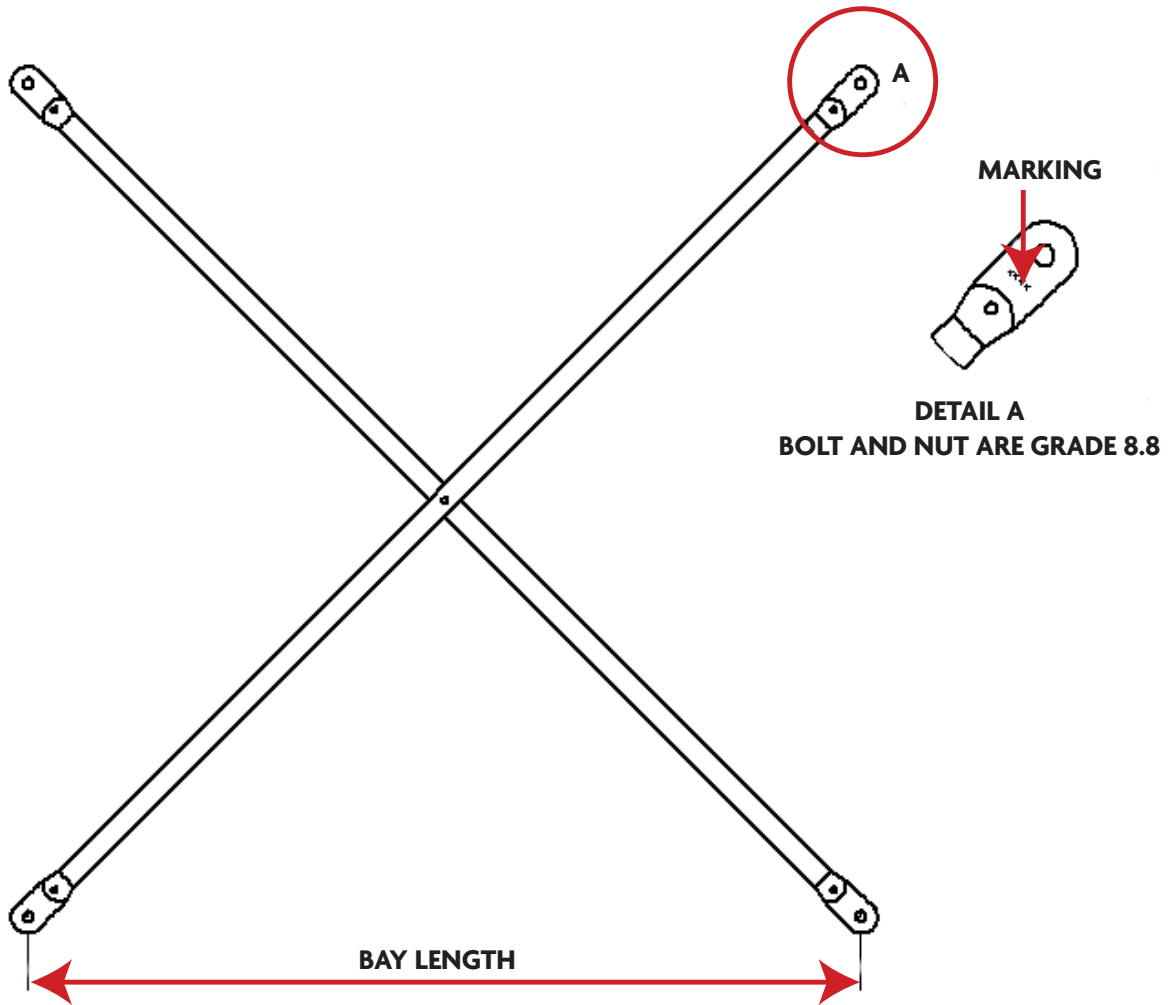
## ADJUSTABLE U-HEAD JACK



Product Code	Description	Adjustment Range		Weight	
		Inches	Meters	Lb	Kg
FSUHJ68B	6" x 8" U-Head Jack 1-3/8"	16.5	0.42	15.7	7.12

Threaded Tube O.D. 1.5"  
 Safe working loads are based on a 4:1 safety factor

## HEAVY DUTY BRACES

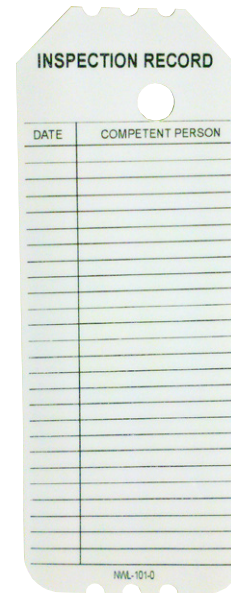


Product Code	Description	Bay Length		Lock Spacing	Marking
		in	mm	Inches	
BR0448D	4' Hole Brace	48	1219.2	48	0448HD
BR1248HD	12" Hole Brace	144	3657.6	48	1248HD

## SCAFFOLD TAGS



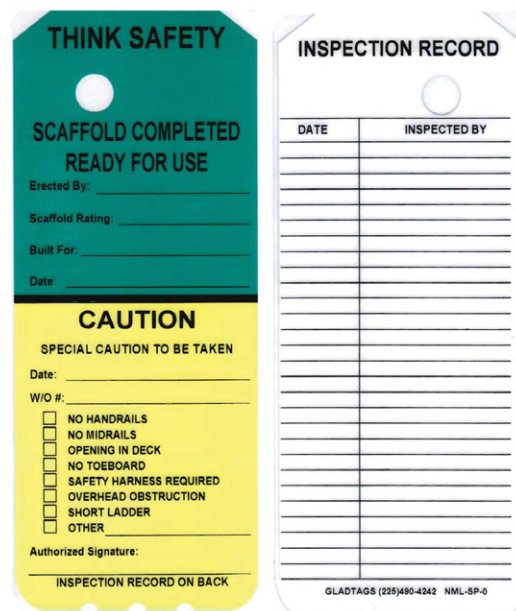
HW-NH-108



HW-NWL-101



HW-NYL-104



HW-NML-1

## SCAFFOLD TAGS



HW-NGL-101



HW-NGYL-101



HW-NRL-101

Additional tags and postings are available upon request.



SYSTEM SCAFFOLD CATALOG  
DSSCAT  
UPDATED: 03/24/2017



---

# TUBE & CLAMP SECTION

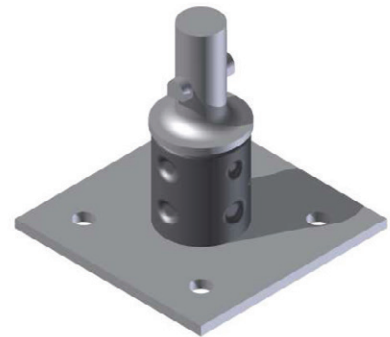
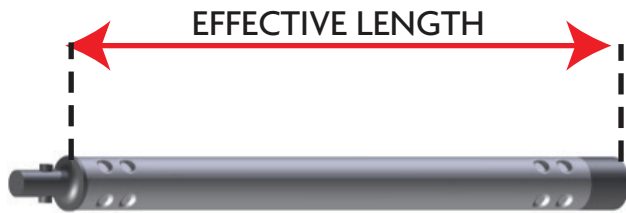
---

World Headquarters: 6059 South Loop East | Houston, TX 77087 | Offices In: Hong Kong | China | Latin America | Canada

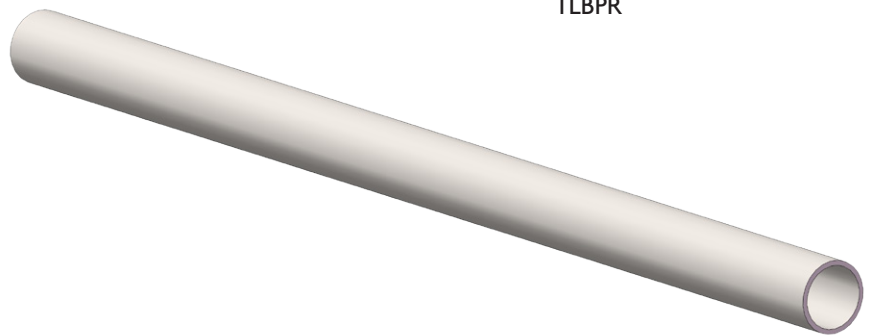
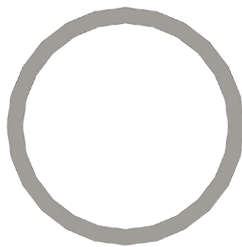
713-673-7701 Phone | 800-720-6629 Toll Free | [www.dss.net](http://www.dss.net)

[CLICK TO RETURN TO  
TABLE OF CONTENTS](#)

## TWIST LOCK TUBE



TLBPR



Product Code	Description	Effective Length		Weight	
		Inches	Meters	Lb	Kg
TL4	4' Twist Lock Tube	48	1.22	9.6	4.3
TL6	6' Twist Lock Tube	72	1.83	13.2	6.0
TL8	8' Twist Lock Tube	96	2.44	17.1	7.7
TL10	10' Twist Lock Tube	120	3.05	20.0	9.1
TL13	13' Twist Lock Tube	156	3.96	26.5	12.0
TL16	16' Twist Lock Tube	192	4.88	33.9	15.4

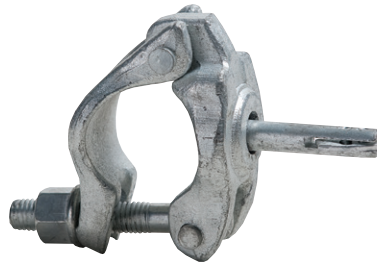
Product Code	Description	Weight	
		Lb	Kg
TLBPR	Twist Lock Base Plate Rigid	3.2	1.5



## I-BOLT CLAMPS



CMP1/2



CMP1/2Q



CMP1/2W



CMPRA



CMPSW

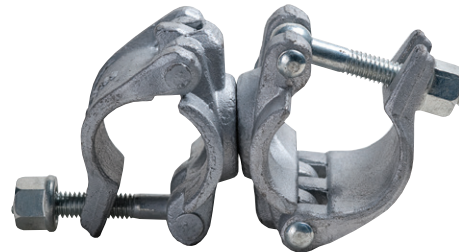
Product Code	Description	Weight	
		Lb	Kg
CMP1/2	1/2 Clamp (I-Bolt)	2.0	0.9
CMP1/2Q*	1/2 Clamp w/Q-Lock	2.2	1.0
CMP1/2W*	1/2 Clamp w/W-Lock	1.4	0.6
CMPRA	Right Angle Clamp (I-Bolt)	3.3	1.5
CMPSW	Swivel Clamp (I-Bolt)	4.0	1.8

\*Item not stocked

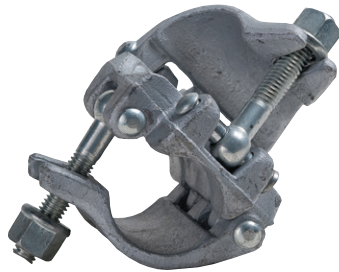
## WIDE BODY CLAMPS



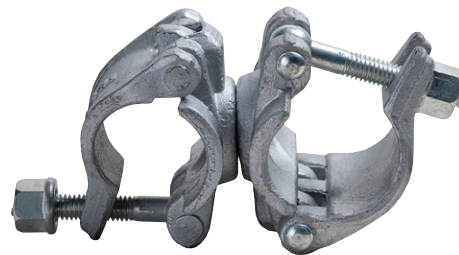
CMP4RA



CMP4SW



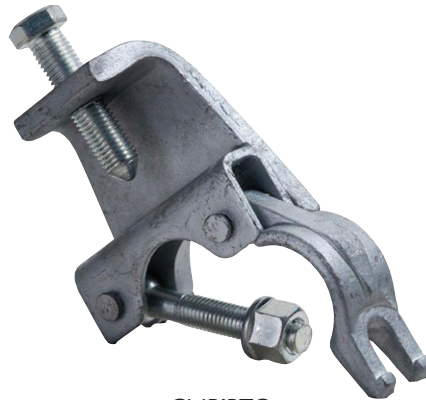
CMPNIRA



CMPNISW

Product Code	Description	Weight	
		Lb	Kg
CMP4RA	4" Wide Body Right Angle Clamp (I-Bolt)	4.2	1.9
CMP4SW	4" Wide Body Swivel Clamp (I-Bolt)	4.9	2.2
CMPNIRA	4" Wide Body Right Angle Clamp (I-Bolt) - Italy	4.2	1.9
CMPNISW	4" Body Swivel Clamp (I-Bolt) - Italy	4.9	2.2

## BEAM CLAMP



CMPIBTC



CMPIBTCF



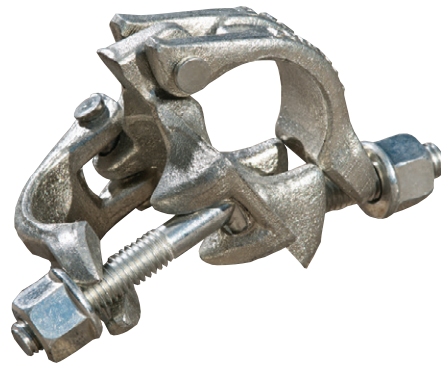
CMPIBSF

Product Code	Description	Weight	
		Lb	Kg
CMPIBTC	I-Beam Tube Clamp	3.3	1.5
CMPIBTCF	I-Beam Tube Clamp Forged	3.5	1.6
CMPIBSF	Swivel I-Beam Clamp Forged	4.0	1.8

## T-BOLT



CMPTS



CMPTRA

Product Code	Description	Weight	
		Lb	Kg
CMPTRA	T Bolt Right Angle Clamp	2.3	1.1
CMPTS	T Bolt Swivel Clamp	2.8	1.3
CMPT1/2	T Bolt 1/2 Clamp	1.4	0.6
CMPTR2X238	T Bolt Right Angle Clamp 1.9" to 2.375"	3.2	1.46
CMPTS2X238	T Bolt Swivel Clamp 1.9" to 2.375"	3.4	1.55

## WEDGE CLAMPS



CMPWR



CMPWS



CMPW1/2

Product Code	Description	Weight	
		Lb	Kg
CMPWR	Wedge Clamp Right Angle	3.2	1.5
CMPWS	Wedge Clamp Swivel	3.6	1.7
CMPW1/2	1/2 Wedge Clamp	1.8	0.8
CMPWR2XB	Tube to Frame Right Angle Wedge Clamp 1.9" to 1.625"	3.2	1.4
CMPWS2XB	Tube to Frame Swivel Angle Wedge Clamp 1.9" to 1.625"	3.6	1.6
CMPWR2XC	Tube to Frame Right Angle Wedge Clamp 1.9" to 1.69"	3.2	1.4
CMPWS2XC	Tube to Frame Swivel Angle Wedge Clamp 1.9" to 1.69"	3.6	1.6

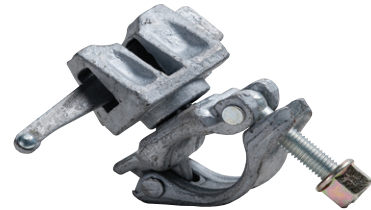
## RING SYSTEM ACCESSORY CLAMPS



CMP-RLIHC



CMP-RMPEBR



CMP-RMPEBS



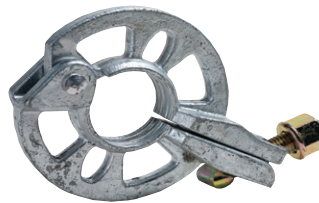
CMP-RMPWCR



CMP-RMPWCS



CMP-RTWC



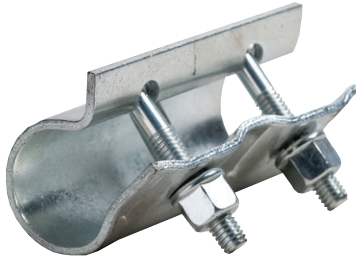
CMP-RCLB



CMP-RCLW

Product Code	Description	Weight	
		Lb	Kg
CMP-RLIHC	Ring Lock Inter. Horizontal Clip	1.8	0.8
CMP-RMPEBR	Ring Mouth Piece w/Rigid Eye-Bolt Clamp	3.2	1.5
CMP-RMPEBS	Ring Mouth Piece w/Swivel Eye-Bolt Clamp	2.9	1.3
CMP-RMPWCR	Ring Mouth Piece w/Rigid Wedge Clamp	3.4	1.6
CMP-RMPWCS	Ring Mouth Piece w/Swivel Wedge Clamp	3.4	1.6
CMP-RTWC	Twin Wedge Coupler Ring Lock	2.5	1.1
CMP-RCLB	Clamp on Rosette Bolt Style	2.4	1.1
CMP-RCLW	Clamp on Rosette Wedge Style	1.6	0.7

## TUBE COUPLERS



CMPSC



CMPSCW



CMPSEP



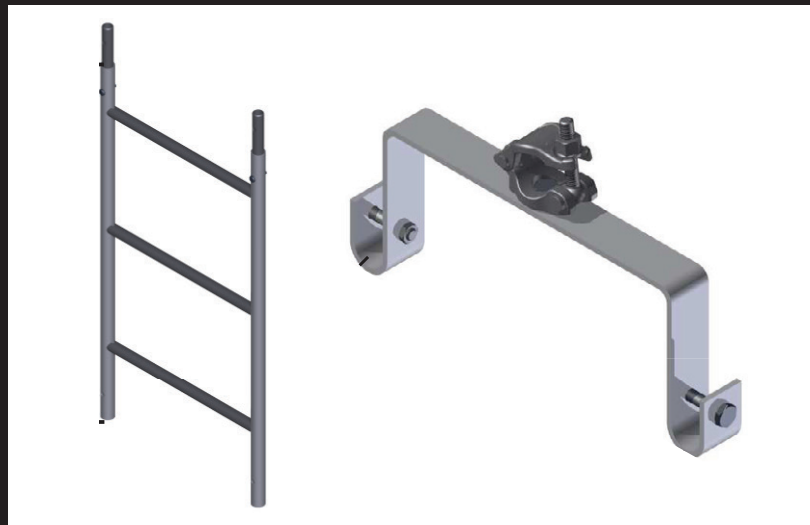
CMPSP

Product Code	Description	Weight	
		Lb	Kg
CMPSC	Sleeve Coupler Tube Lock	2.7	1.2
CMPSCW	Wedge Style Sleeve Coupler (Joiner)	2.4	1.1
CMPSEP	System Expansion Pin (Forged)	2.6	1.2
CMPSP	Single Putlog Coupler	1.4	0.7



SYSTEM SCAFFOLD CATALOG  
DSSCAT  
UPDATED: 03/24/2017

## SYSTEM SCAFFOLD CATALOG



# LADDERS SECTION

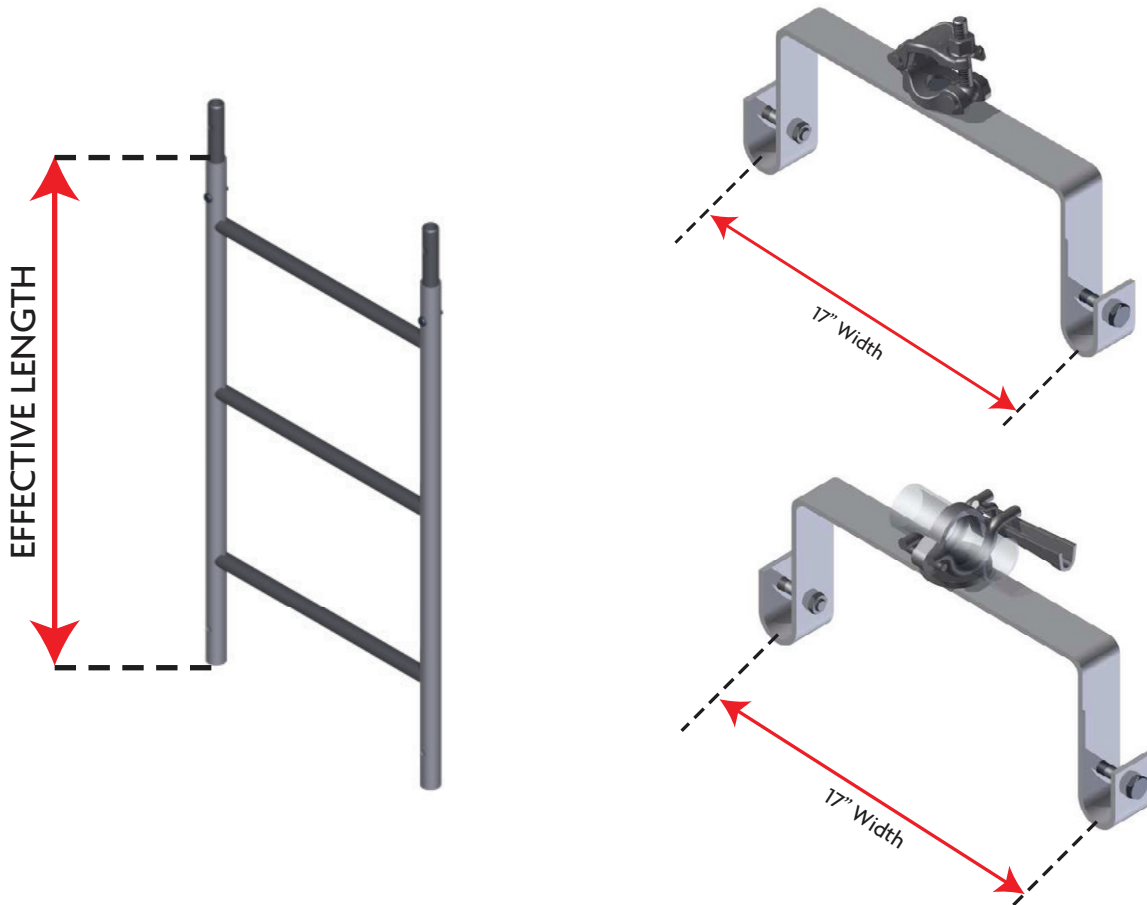
World Headquarters: 6059 South Loop East | Houston, TX 77087 | Offices In: Hong Kong | China | Latin America | Canada

713-673-7701 Phone | 800-720-6629 Toll Free | [www.dss.net](http://www.dss.net)

[CLICK TO RETURN TO  
TABLE OF CONTENTS](#)

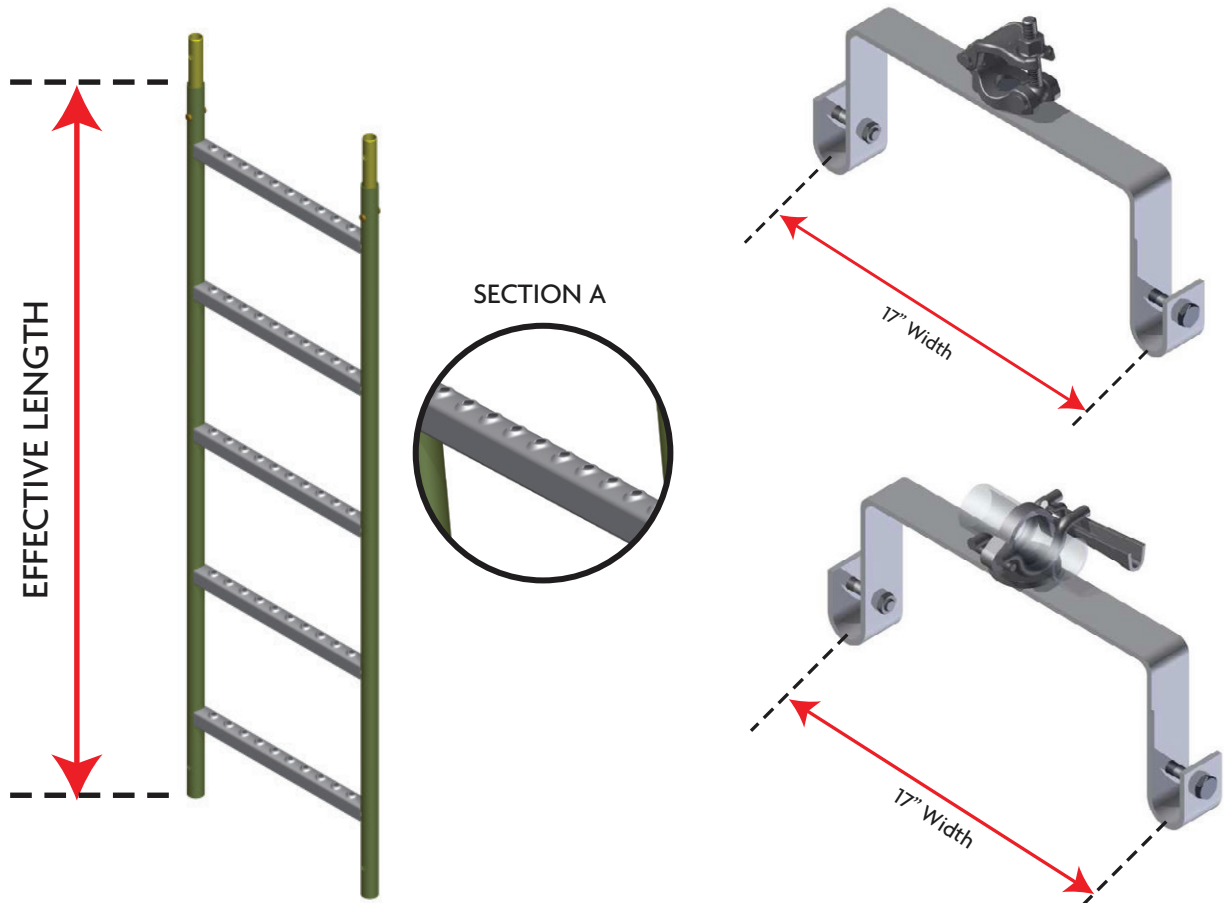


## 17" WIDE LADDER & BRACKET



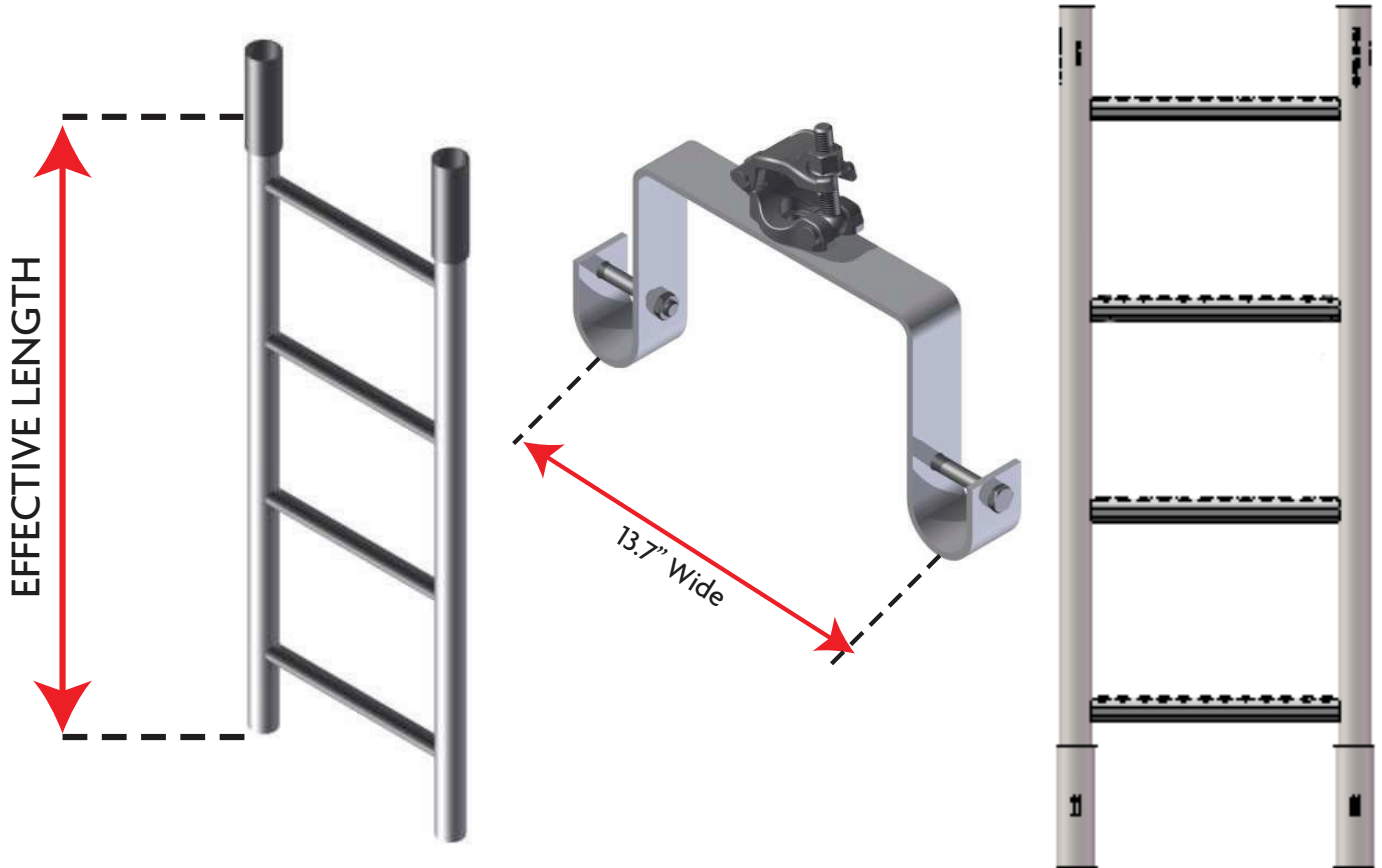
Product Code	Description	Effective Length		Weight	
		Inches	Meters	Lb	Kg
LD17W3	3'-17" Wide Ladder	36	0.91	10.6	4.8
LD17W5	5'-17" Wide Ladder	60	1.52	17.2	7.8
LD17W6	6'-17" Wide Ladder	72	1.83	20.1	9.1
LDB17W	17" Wide Ladder Bracket - 7.25" Deep	17	0.43	7.1	3.2
LDB17W-W	17" Wide Ladder Bracket Wedge Style - 7.25" Deep	17	0.43	7.3	3.3

## 17" WIDE NON-SLIP LADDER & BRACKET



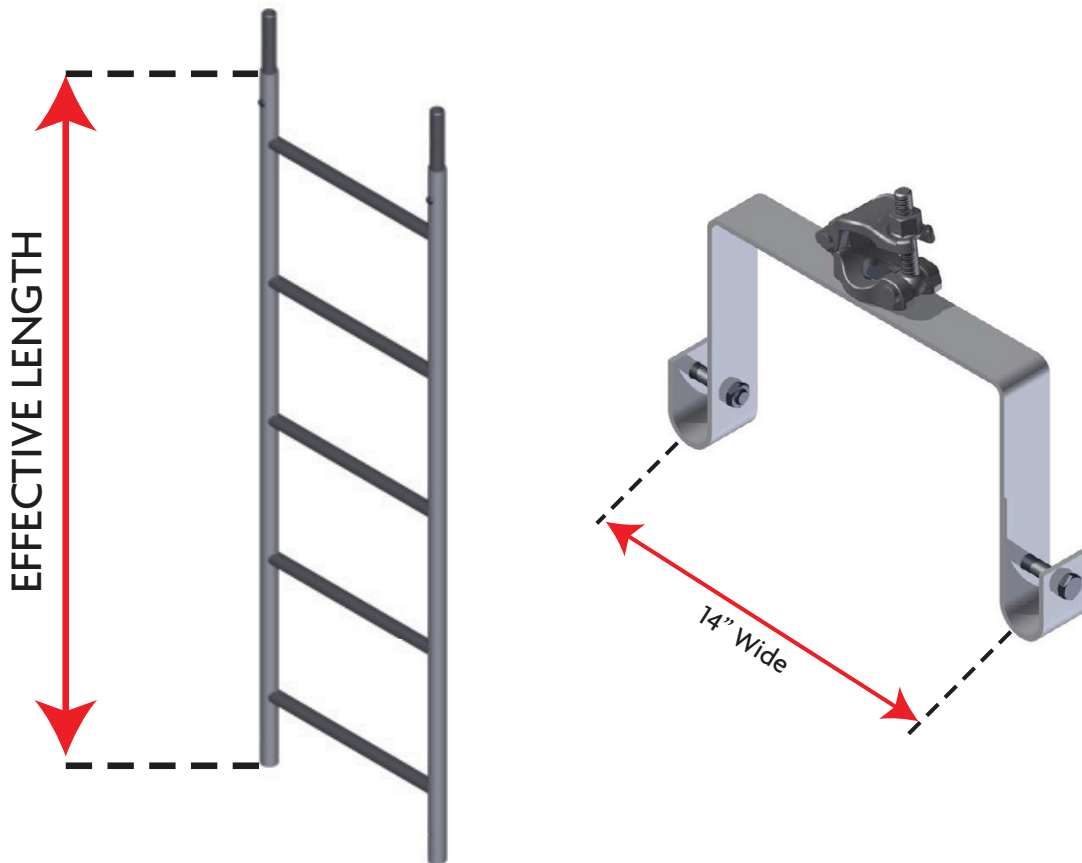
Product Code	Description	Effective Length		Weight	
		Inches	Meters	Lb	Kg
LD17WNS3	3'-17" Wide Non-slip Ladder	36	0.91	10.6	4.8
LD17WNS5	5'-17" Wide Non-slip Ladder	60	1.52	17.2	7.8
LD17WNS6	6'-17" Wide Non-slip Ladder	72	1.83	20.1	9.1
LDB17W	17" Wide Ladder Bracket - 7.25" Deep	17	0.43	7.1	3.2
LDB17W-W	17" Wide Ladder Bracket Wedge Style - 7.25" Deep	17	0.43	7.3	3.3

## HEAVY DUTY STEEL LADDER & BRACKET



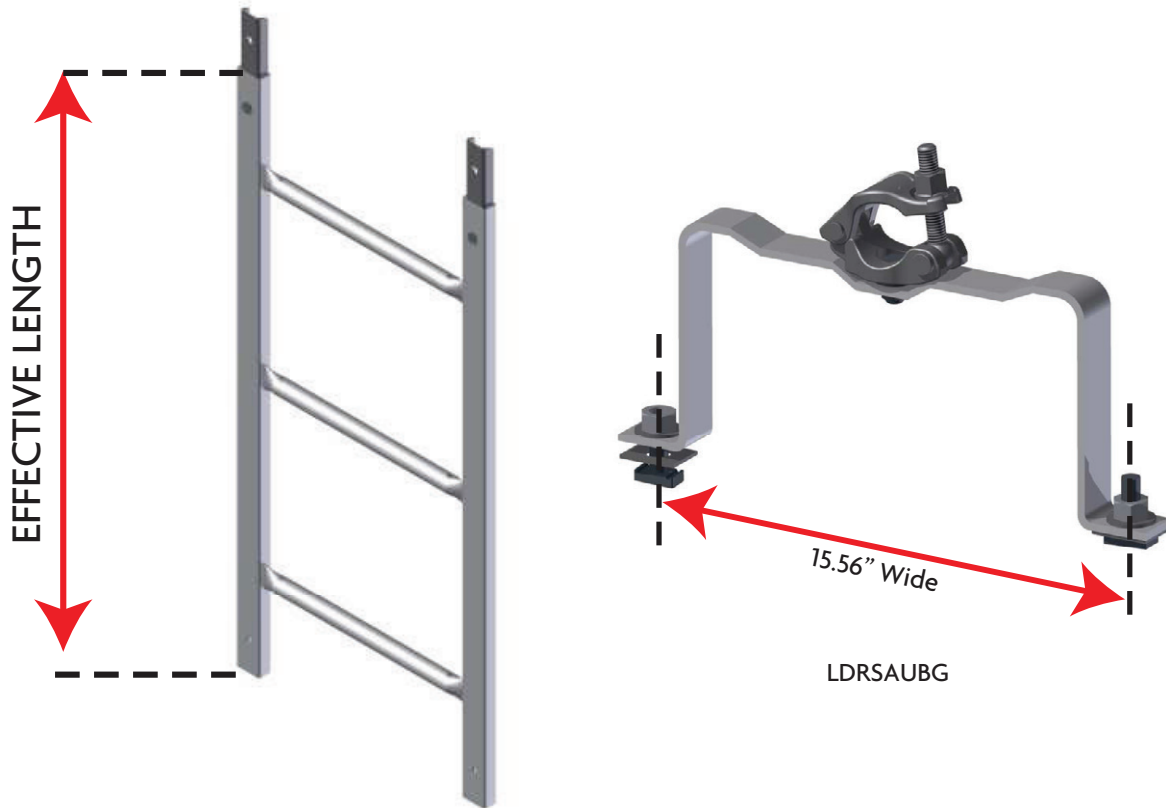
Product Code	Description	Effective Length		Weight	
		Inches	Meters	Lb	Kg
LDCSLW3	3' Steel Ladder - 13.7" Wide	39.37	1.00	18.0	8.2
LDCSLW5	5' Steel Ladder - 13.7" Wide	59.06	1.50	25.4	11.5
LDCSLW10	10' Steel Ladder - 13.7" Wide	118.11	3.00	46.2	21.0
LDCLBW	Ladder Bracket - 7.74" Deep	13.7	0.35	6.8	3.1

## LADDER-RING TYPE



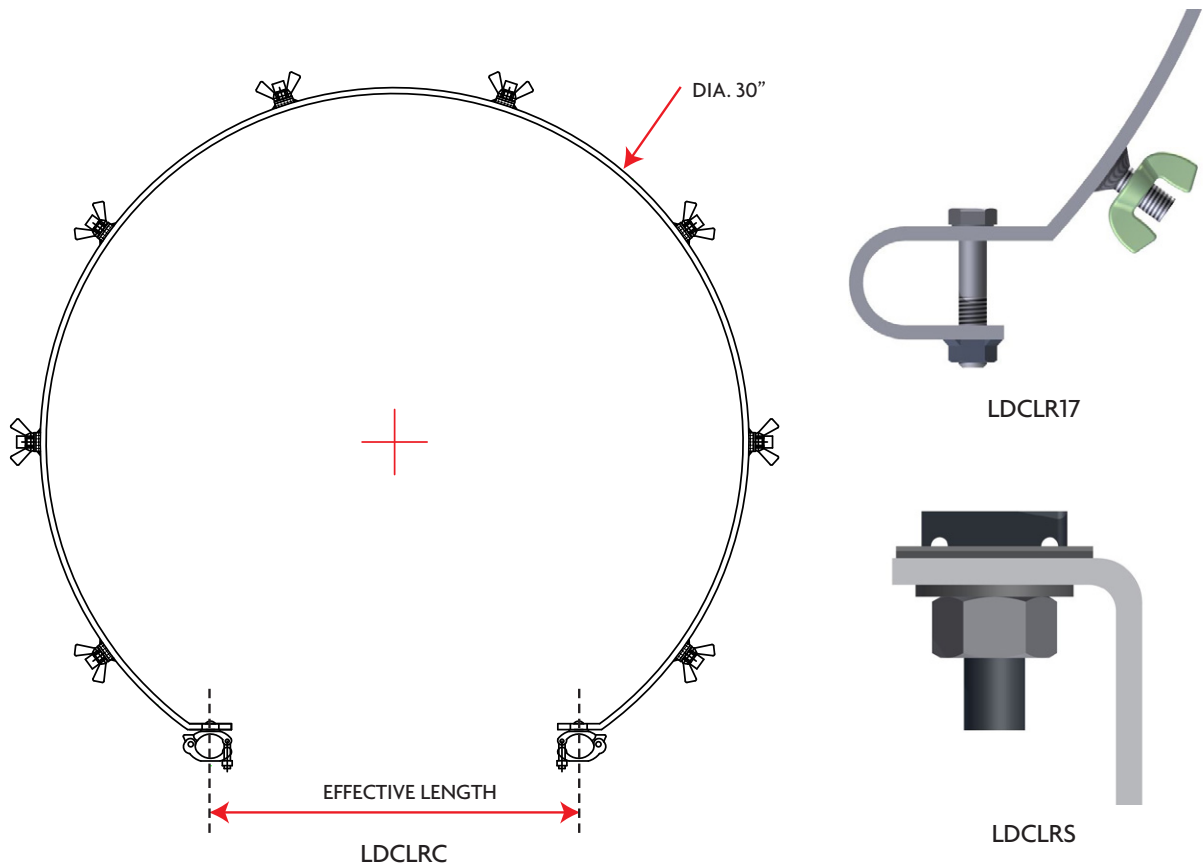
Product Code	Description	Effective Length		Weight	
		Inches	Meters	Lb	Kg
LDRL3	3' Ladder-Ring Type - 14" Wide	36	0.91	11.0	5.0
LDRL5	5' Ladder-Ring Type - 14" Wide	60	1.52	17.7	8.0
LDRL10	10' Ladder-Ring Type - 14" Wide	120	3.05	30.0	13.6
LDRRLBW	Ladder Bracket Ring Type - 9" Deep	16.8	0.43	7.5	3.4

## SAU CHANNEL STYLE LADDER



Product Code	Description	Effective Length		Weight	
		Inches	Meters	Lb	Kg
LDRSAU3G	SAU Style 3' Ladder	36.00	0.91	10.6	4.8
LDRSAU6G	SAU Style 6' Ladder	72.00	1.83	19.4	8.8
LDRSAUBG	SAU Style Ladder Bracket	15.56	0.40	6.4	2.9

## CAGE RINGS

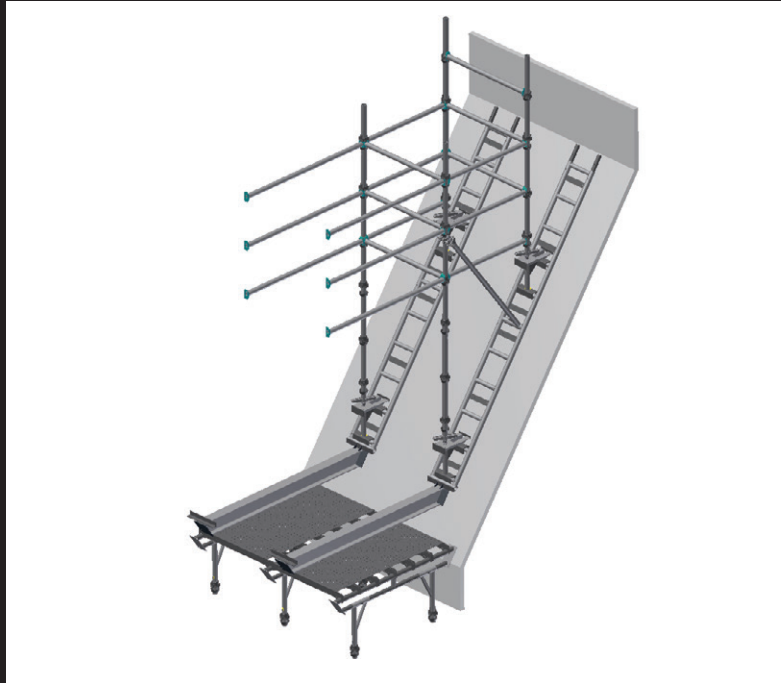


Product Code	Description	Weight	
		Lb	Kg
LDCLR75C	3/4 Ladder Cage Ring w/1/2 Clamp	11.0	5.0
LDCLRC	Ladder Cage Ring w/1/2 Clamp (CAGD)	13.0	5.9
LDCLRS	Ladder Cage Ring w/SAUT Bolt	10.4	4.7



SYSTEM SCAFFOLD CATALOG  
DSSCAT  
UPDATED: 03/24/2017

## SYSTEM SCAFFOLD CATALOG



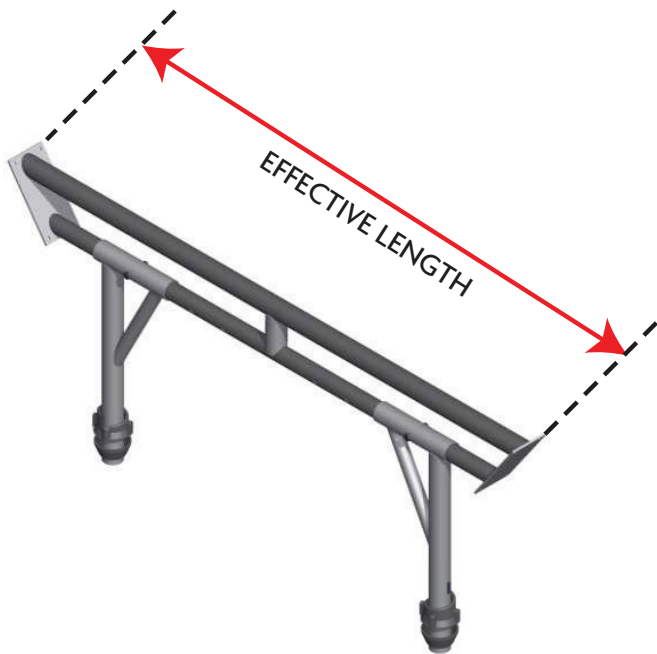
# BOILER SYSTEM SECTION

World Headquarters: 6059 South Loop East | Houston, TX 77087 | Offices In: Hong Kong | China | Latin America | Canada

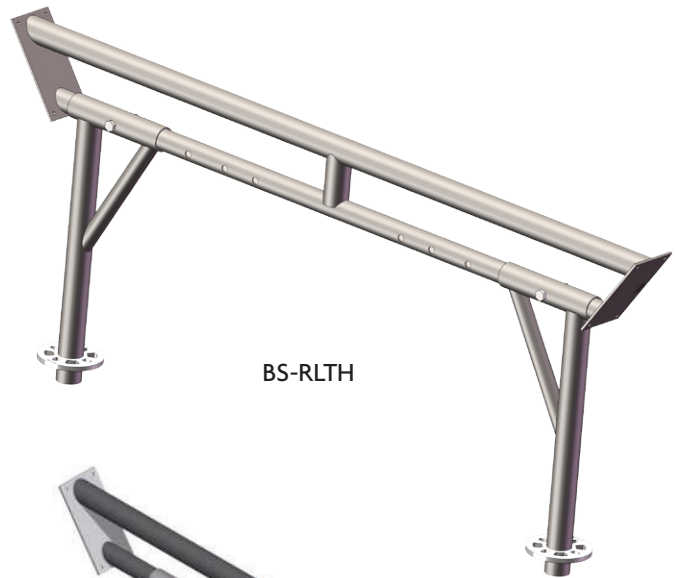
713-673-7701 Phone | 800-720-6629 Toll Free | [www.dss.net](http://www.dss.net)

[CLICK TO RETURN TO  
TABLE OF CONTENTS](#)

## THROAT HEADER



BS-CLTH



BS-RLTH

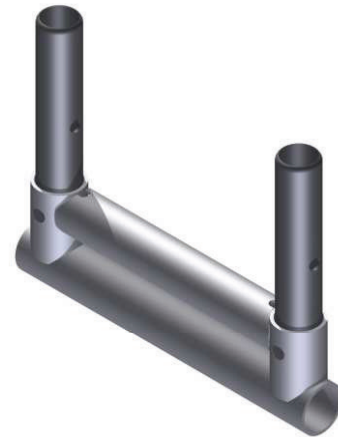
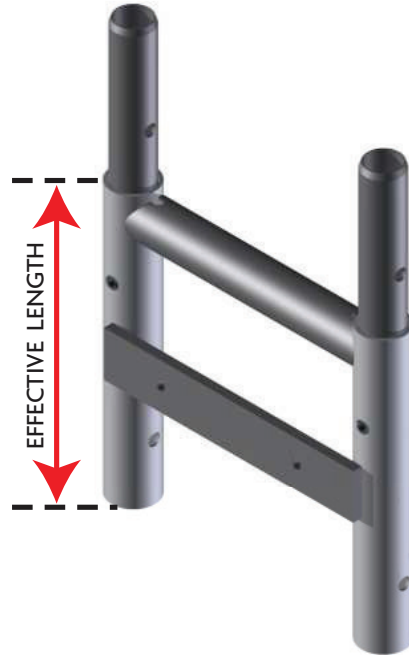


BS-TCTH

Product Code	Description	Effective Length		Weight	
		Inches	Meters	Lb	Kg
BS-CLTH	Cup Lock Throat Header	60.47	1.54	41.9	19.0
BS-TCTH	Throat Header	60.47	1.54	39.2	17.8
BS-RLTH	Ring Lock Throat Header	60.47	1.54	23.7	10.7



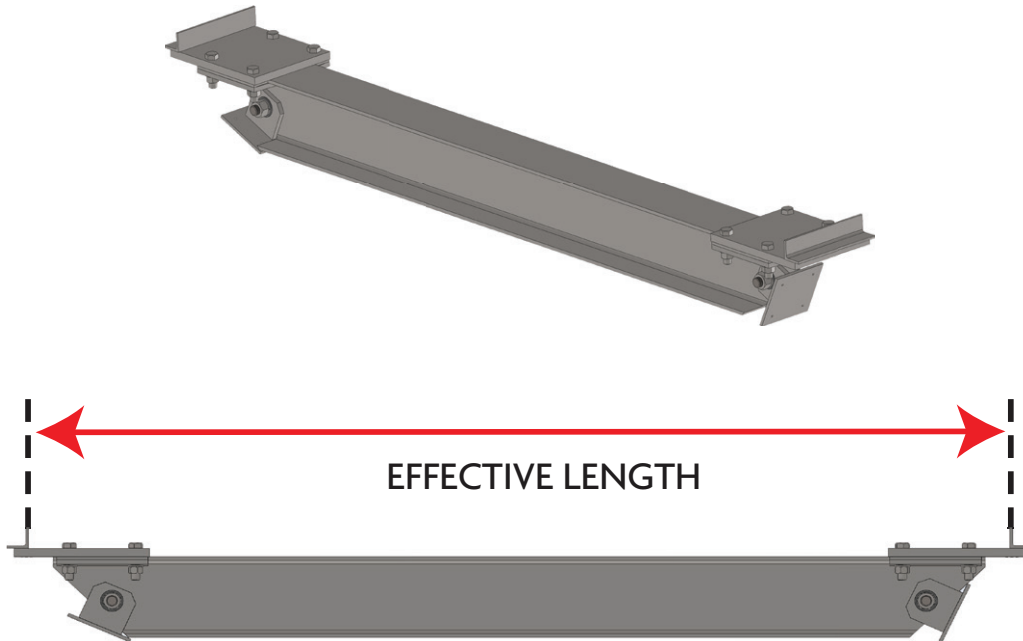
## FRAMES & FRAME STARTER



BS-FS

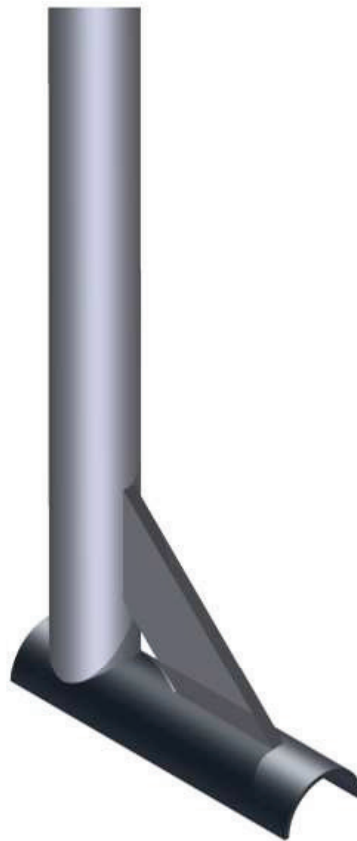
Product Code	Description	Effective Length		Weight	
		Inches	Meters	Lb	Kg
BS-F1	12" Frame	12	0.31	13.4	6.1
BS-F3	36" Frame	36	0.91	29.1	13.2
BS-F5	60" Frame	60	1.52	44.5	20.2
BS-F6	72" Frame	72	1.83	48.5	22.0
BS-FS	Frame Starter	4.12	0.11	7.5	3.4

## BASE BEAM



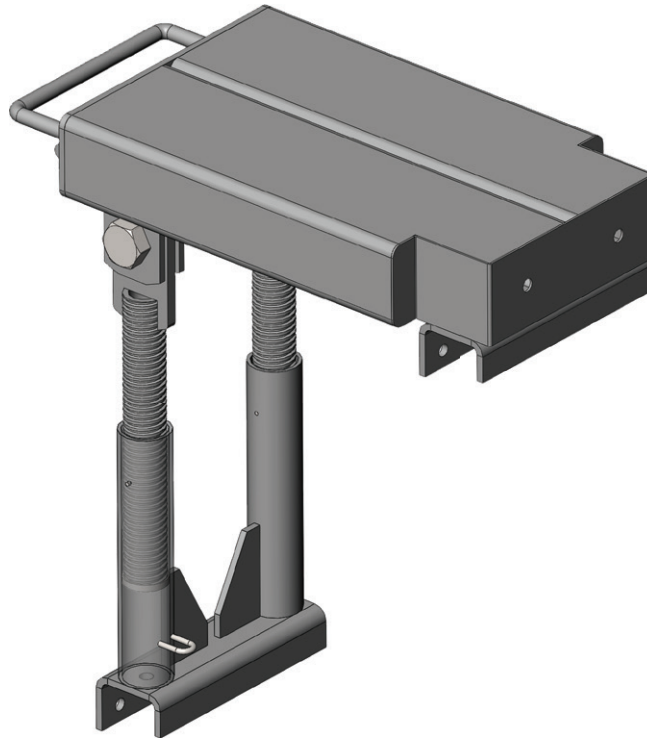
Product Code	Description	Effective Length		Weight	
		Inches	Meters	Lb	Kg
BS-IB04	4' Base Beam	54.13	1.37	105.8	48.0
BS-IB06	6' Base Beam	79.12	2.01	138.4	62.8
BS-IB10	10' Base Beam	123.44	3.14	224.9	102.0

## SADDLE BRACE



Product Code	Description	Effective Length		Weight	
		Inches	Meters	Lb	Kg
BSSB10	10' Saddle Brace	120	3.05	28.7	13.0

## VEE CHAIR



Product Code	Description	Weight	
		Lb	Kg
BS-AVC	Adjustable Vee Chair	6.88	3.12



SYSTEM SCAFFOLD CATALOG  
DSSCAT  
UPDATED: 03/24/2017

## SYSTEM SCAFFOLD CATALOG



---

# WALK BOARD SECTION

---

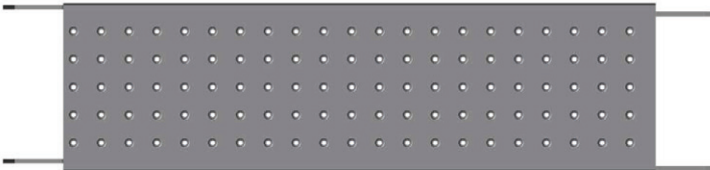
World Headquarters: 6059 South Loop East | Houston, TX 77087 | Offices In: Hong Kong | China | Latin America | Canada

713-673-7701 Phone | 800-720-6629 Toll Free | [www.dss.net](http://www.dss.net)

[CLICK TO RETURN TO  
TABLE OF CONTENTS](#)

## 9" STEEL PLANK

TOP VIEW



FRONT VIEW



### Cup Lock Imperial Sizes

Product Code	Description	Bay Length		Weight	
		Inches	Meters	Lb	Kg
WBSSP27	2'-7" Steel Plank	31	0.79	13.5	6.1
WBSSP3	3' Steel Plank	36	0.91	15.7	7.1
WBSSP36	3'-6" Steel Plank	42	1.07	17.1	7.7
WBSSP4	4' Steel Plank	48	1.22	19	8.6
WBSSP5	5' Steel Plank	60	1.52	23.2	10.5
WBSSP6	6' Steel Plank	72	1.83	26.5	12
WBSSP7	7' Steel Plank	84	2.13	31.2	14.2
WBSSP8	8' Steel Plank	96	2.44	35.4	16.1
WBSSP9	9' Steel Plank	108	2.74	39.8	18.1
WBSSP10	10' Steel Plank	120	3.05	42.9	19.5

### Cup Lock Metric Sizes

Product Code	Description	Bay Length		Weight	
		Inches	Meters	Lb	Kg
WBSSP27	2'-7" Steel Plank	31	0.79	13.5	6.1
WBSSP211	2'-11" Steel Plank	35	0.9	14.5	6.6
WBSSP36	3'-6" Steel Plank	42	1.07	17.1	7.7
WBSSP41	4'-1" Steel Plank	49	1.25	19.1	8.7
WBSSP411	4'-11" Steel Plank	59	1.5	22.2	10.1
WBSSP511	5'-11" Steel Plank	71	1.8	24.9	11.3
WBSSP7	7' Steel Plank	84	2.13	31.2	14.2
WBSSP82	8'-2" Steel Plank	98	2.5	37.1	16.9
WBSSP10	10' Steel Plank	120	3.05	42.9	19.5

### Ring Lock Imperial Sizes

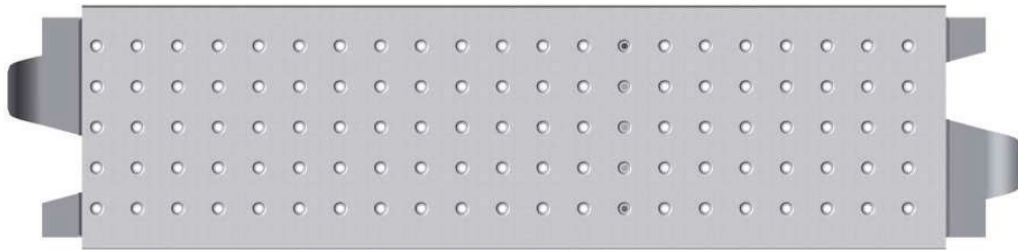
Product Code	Description	Bay Length		Weight	
		Inches	Meters	Lb	Kg
WBSSP3	3' Steel Plank	36	0.91	15.7	7.1
WBSSP36	3'-6" Steel Plank	42	1.07	17.1	7.7
WBSSP4	4' Steel Plank	48	1.22	19	8.6
WBSSP5	5' Steel Plank	60	1.52	23.2	10.5
WBSSP6	6' Steel Plank	72	1.83	26.5	12

### Ring Lock Imperial Sizes - Cont.

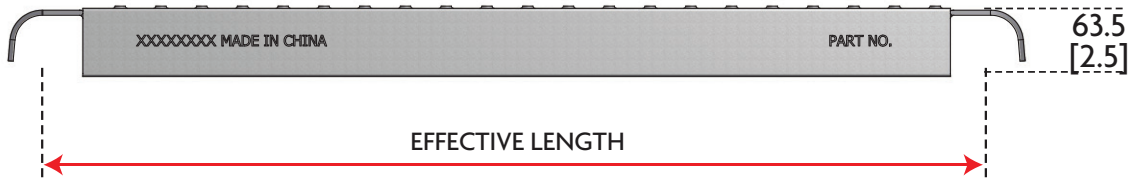
Product Code	Description	Bay Length		Weight	
		Inches	Meters	Lb	Kg
WBSSP7	7' Steel Plank	84	2.13	31.2	14.2
WBSSP8	8' Steel Plank	96	2.44	35.4	16.1
WBSSP9	9' Steel Plank	108	2.74	39.8	18.1
WBSSP10	10' Steel Plank	120	3.05	42.9	19.5

## 9" LOW PROFILE STEEL PLANK

TOP VIEW



FRONT VIEW



Product Code	Description	Effective Length		Weight	
		Inches	Meters	Lb	Kg
WBDEP27	2'-7" Low Profile Steel w/Hook	31	0.79	16.6	7.5
WBDEP3	3' Low Profile Steel w/Hook	36	0.91	18.6	8.5
WBDEP36S	3'-6" Low Profile Steel w/Hook	42	1.07	20	9.1
WBDEP36RL	3'-6.8" Low Profile Steel w/Hook	42.8	1.09	20.1	9.1
WBDEP39	3'-9" Low Profile Steel w/Hook	45.3	1.15	21.3	9.7
WBDEP4	4' Low Profile Steel w/Hook	48	1.22	22.1	10
WBDEP43	4'-3" Low Profile Steel w/Hook	51	1.29	23.1	10.5
WBDEP410	4'-10" Low Profile Steel w/Hook	58	1.48	25.3	11.5
WBDEP5	5' Low Profile Steel w/Hook	60	1.52	26.6	12
WBDEP52	5'-2" Low Profile Steel w/Hook	62	1.57	26.5	12



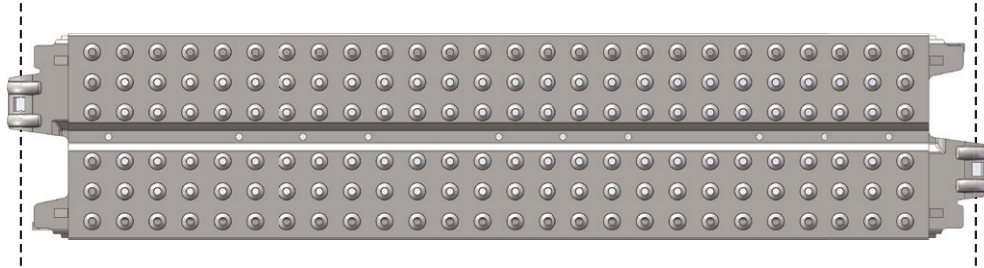
## 9" LOW PROFILE STEEL PLANK

Product Code	Description	Effective Length		Weight	
		Inches	Meters	Lb	Kg
WBDEP511	5'-11" Low Profile Steel w/Hook	71	1.8	27.12	12.3
WBDEP6	6' Low Profile Steel w/Hook	72	1.83	29.59	13.4
WBDEP69	6'-9" Low Profile Steel w/Hook	82	2.07	33.69	15.3
WBDEP7	7' Low Profile Steel w/Hook	84	2.13	34.37	15.6
WBDEP8	8' Low Profile Steel w/Hook	96	2.44	38.6	17.5
WBDEP82	8'-2" Low Profile Steel w/Hook	98	2.5	38.36	17.4
WBDEP86	8'-6" Low Profile Steel w/Hook	101	2.57	40.9	18.6
WBDEP9	9' Low Profile Steel w/Hook	180	2.74	43.19	19.6
WBDEP100	10' Low Profile Steel w/Hook	120	3.05	46.39	21

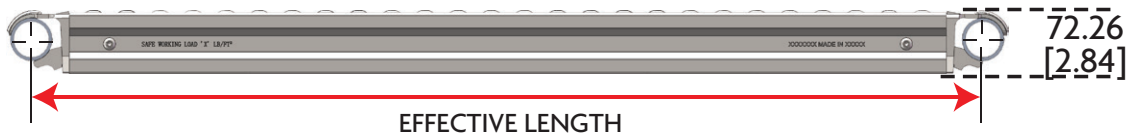


## 9-1/2" LOW PROFILE STEEL PLANK

TOP VIEW



FRONT VIEW

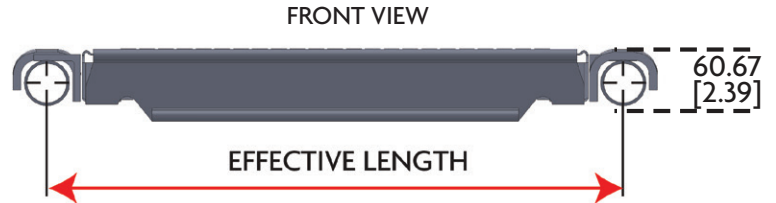
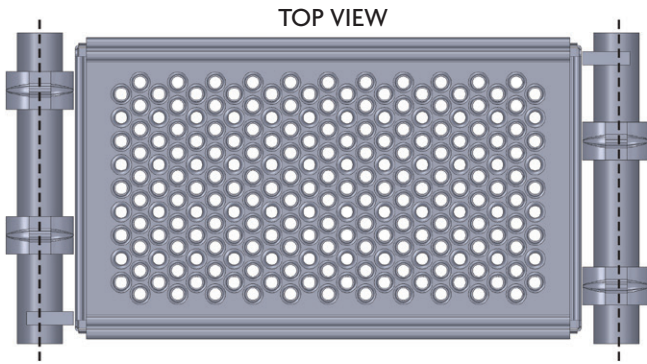


Imperial Sizes					
Product Code	Description	Effective Length		Weight	
		Inches	Meters	Lb	Kg
WBCS20	2' Plank w/Hooks	24	0.61	14.3	6.4
WBCS25	2'-5" Plank w/Hooks	29.1	0.74	16.1	7.3
WBCS26	2'-6" Plank w/Hooks	29.5	0.75	15.4	7
WBCS36	3'-6" Plank w/Hooks	42.8	1.09	20	9.1
WBCS50	5' Plank w/Hooks	60	1.52	25.8	11.7
WBCS60	6' Plank w/Hooks	72	1.83	29.7	13.5
WBCS80	8' Plank w/Hooks	96	2.44	38.3	17.4
WBCS100	10' Plank w/Hooks	120	3.05	47.1	21.4

Canadian Sizes					
Product Code	Description	Effective Length		Weight	
		Inches	Meters	Lb	Kg
WBCS22	2'-2" Plank w/Hooks	25.6	0.65	14.3	6.5
WBCS36S	3'-6" S Plank w/Hooks	42	1.07	19.6	9
WBCS39	3'-9" Plank w/Hooks	45.2	1.15	20.2	9.1
WBCS52	5'-2" Plank w/Hooks	61.8	1.57	26.1	11.8
WBCS70	7' Plank w/Hooks	83.9	2.13	34	15.4

Note: Custom sizes available, minimum order may be required.

## 12-1/2" STEEL PLANK

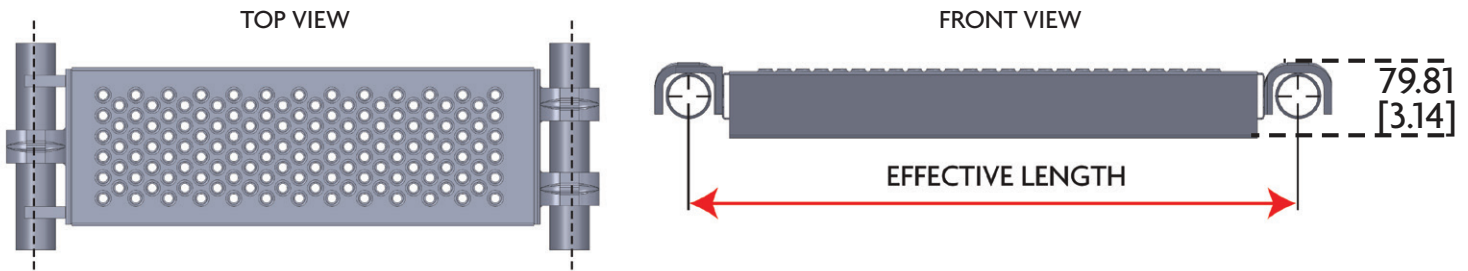


Imperial Sizes					
Product Code	Description	Effective Length		Weight	
		Inches	Meters	Lb	Kg
WBSWP2	2' Plank w/Hooks	24	0.61	14	6.5
WBSWP24	2'-4" Plank w/Hooks	25	0.73	16.4	7.4
WBSWP211	2'-11" Plank w/Hooks	35	0.88	18.7	8.5
WBSWP3	3' Plank w/Hooks	36	0.91	21	9.3
WBSWP33	3'-3" Plank w/Hooks	39	0.99	22	10
WBSWP36	3'-6" Plank w/Hooks	43	1.09	24	10.8
WBSWP4	4' Plank w/Hooks	48	1.22	26	11.6
WBSWP43	4'-3" Plank w/Hooks	51	1.29	25.6	11.6
WBSWP47	4'-7" Plank w/Hooks	55	1.40	26.1	11.8
WBSWP410	4'-10" Plank w/Hooks	58	1.48	26.6	12.1
WBSWP411	4'-11" Plank w/Hooks	59	1.50	27.1	12.3
WBSWP5	5' Plank w/Hooks	60	1.52	28.4	12.9
WBSWP6	6' Plank w/Hooks	72	1.83	35	16

Imperial Sizes Cont.					
Product Code	Description	Effective Length		Weight	
		Inches	Meters	Lb	Kg
WBSWP69	6'-9" Plank w/Hooks	81	2.07	37	17
WBSWP8	8' Plank w/Hooks	96	2.44	41	18.6
WBSWP86	8'-6" Plank w/Hooks	101	2.57	43.2	19.6
WBSWP9	9' Plank w/Hooks	108	2.74	45	20.5
WBSWP910	9'-10" Plank w/Hooks	118	3.00	46.5	21.1
WBSWP101	10'-1" Plank w/Hooks	121	3.07	47.3	21.5

Canadian Sizes					
Product Code	Description	Effective Length		Weight	
		Inches	Meters	Lb	Kg
WBSWP22	2'-2" Plank w/Hooks	26	0.65	15.7	7.1
WBSWP36S	3'-6" Plank w/Hooks	42	1.07	23.1	10.5
WBSWP39	3'-9" Plank w/Hooks	45	1.15	25	11.5
WBSWP52	5'-2" Plank w/Hooks	62	1.57	30	13.6
WBSWP7	7' Plank w/Hooks	84	2.13	39	17.7
WBSWP100	10' Plank w/Hooks	120	3.05	46.8	21.2

## 7-9/16" FILLER STEEL PLANK



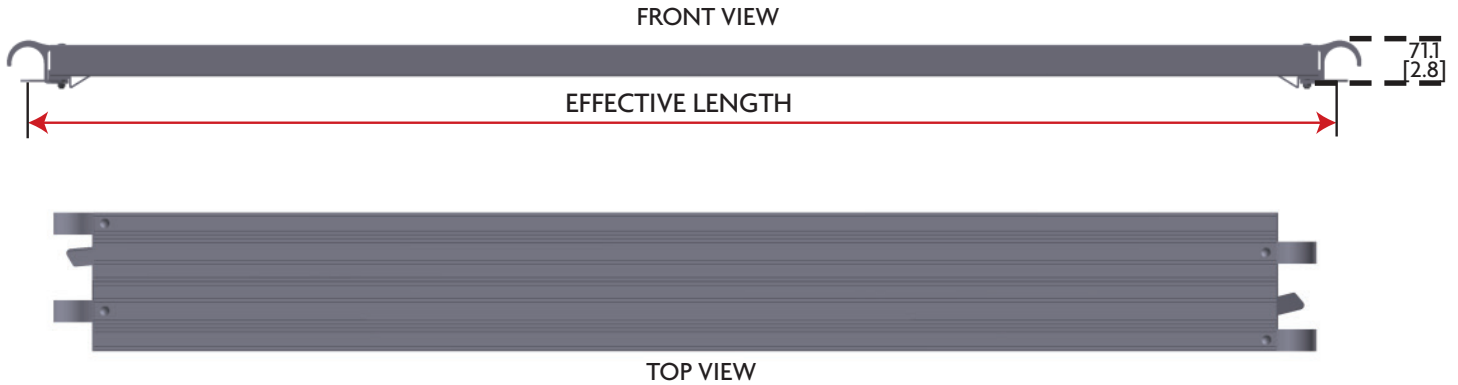
### Imperial Sizes

Product Code	Description	Effective Length		Weight	
		Inches	Meters	Lb	Kg
WBSWPF20	2'-0" Plank w/Hooks	24	0.61	11.1	5.0
WBSWPF24	2'-4" Plank w/Hooks	28	0.73	12.7	5.8
WBSWPF211	2'-11" Plank w/Hooks	35	0.88	14.6	6.6
WBSWPF30	3'-0" Plank w/Hooks	36	0.91	15.0	6.8
WBSWPF33	3'-3" Plank w/Hooks	39	0.99	15.3	7
WBSWPF36	3'-6" Plank w/Hooks	42	1.09	16.4	7.4
WBSWPF40	4'-0" Plank w/Hooks	48	1.22	18.0	8.1
WBSWPF43	4'-3" Plank w/Hooks	51	1.29	18.7	8.5
WBSWPF410	4'-10" Plank w/Hooks	58	1.48	19.7	8.9
WBSWPF50	5'-0" Plank w/Hooks	60	1.52	21.6	9.8
WBSWPF60	6'-0" Plank w/Hooks	72	1.83	23.8	10.8
WBSWPF69	6'-9" Plank w/Hooks	81.6	2.07	24.7	11.2
WBSWPF70	7' Plank w/Hooks	84	2.13	25.8	11.7
WBSWPF86	8'-6" Plank w/Hooks	102	2.57	31.1	14.1
WBSWPF90	9'-0" Plank w/Hooks	108	2.74	32.9	14.9
WBSWPF101	10'-1" Plank w/Hooks	121	3.07	35.3	16

### Canadian Sizes

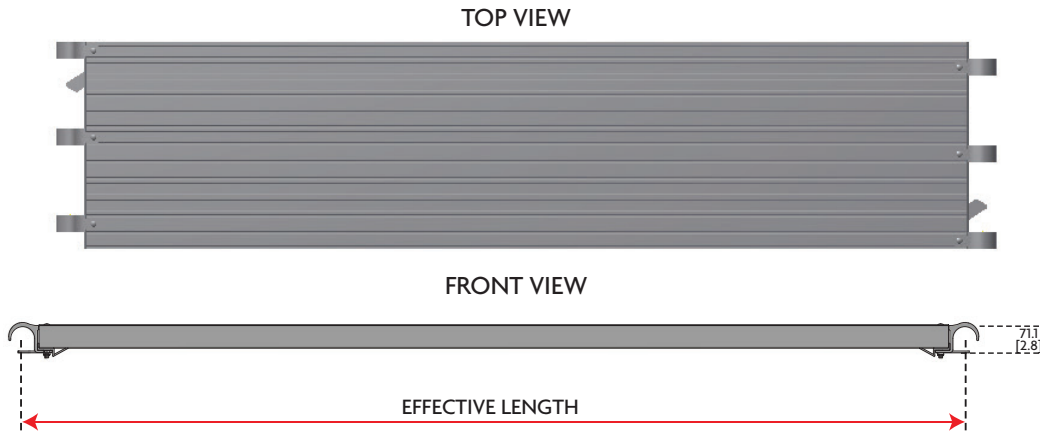
Product Code	Description	Effective Length		Weight	
		Inches	Meters	Lb	Kg
WBSWPF22	2'-2" Plank w/Hooks	26	0.65	11.9	5.4
WBSWPF36S	3'-6" Plank w/Hooks	42	1.09	16.4	7.4
WBSWPF39	3'-9" Plank w/Hooks	45	1.15	17.4	7.9
WBSWPF40	4'-0" Plank w/Hooks	48	1.22	18.0	8.1
WBSWPF43	4'-3" Plank w/Hooks	51	1.29	18.7	8.5
WBSWPF410	4'-10" Plank w/Hooks	58	1.48	19.7	8.9
WBSWPF50	5'-0" Plank w/Hooks	60	1.52	21.6	9.8
WBSWPF52	5'-2" Plank w/Hooks	62	1.57	21.8	9.9
WBSWPF100	10' Plank w/Hooks	120	3.05	35.1	15.9

## 9.5" ALL ALUMINUM WALK BOARD



Product Code	Description	Effective Length		Weight	
		Inches	Meters	Lb	Kg
WBAA953	9.5"X3' All Alumn Walk Board (0.914M)	36	0.91	7.7	3.5
WBAA9536S	9.5"X3'-6" All Alumn Walk Board (1.066M)	42	1.06	7.9	3.6
WBAA9539	9.5"X3'-9" All Alumn Walk Board (1.066M)	45	1.14	9.03	4.1
WBAA954	9.5"x4' All Alumn Walk Board (1.220M)	48	1.22	9.03	4.1
WBAA955	9.5"x5' All Alumn Walk Board (1.524M)	60	1.52	11	5
WBAA9552	9.5"x5'-2" All Alumn Walk Board (1.524M)	62	1.57	11.4	5.15
WBAA9555	9.5"x5'-6" All Alumn Walk Board (1.651M)	65	1.65	11.8	5.35
WBAA956	9.5"x6' All Alumn Walk Board (1.829M)	72	1.83	12.8	5.8
WBAA957	9.5"x7' All Alumn Walk Board (2.134M)	84	2.13	14.6	6.6
WBAA958	9.5"x8' All Alumn Walk Board (2.438M)	96	2.44	16.2	7.33
WBAA9586	9.5"x8'-6" All Alumn Walk Board (2.572M)	102	3.05	17.2	7.8
WBAA9510	9.5"x10' All Alumn Walk Board (3.048M)	120	3.07	19.4	8.8

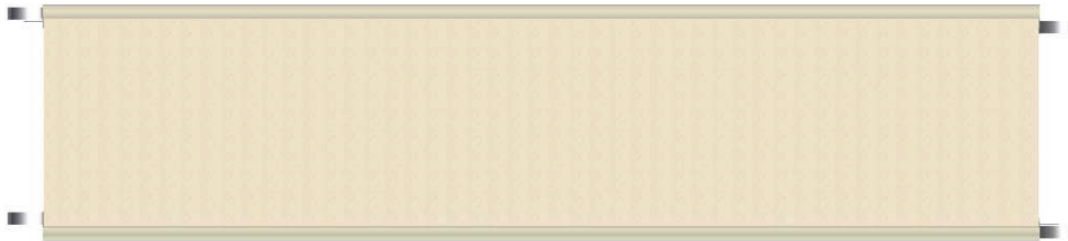
## 19" ALL ALUMINUM PLANK



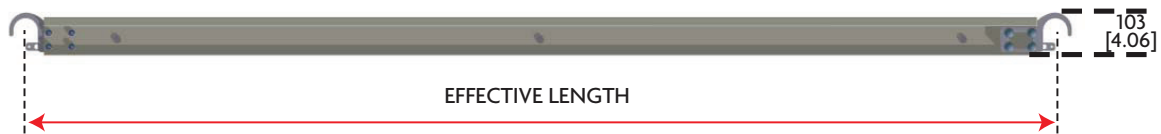
Product Code	Description	Effective Length		Weight	
		Inches	Meters	Lb	Kg
WBAA192	19" x 2' All Aluminum Walk Board	24	0.61		
WBAA1922	19" x 2'2" All Aluminum Walk Board	26	0.65		
WBAA19211	19" x 2'-11" All Aluminum Walk Board	35	0.88	15.1	6.85
WBAA193	19" x 3' All Aluminum Walk Board	36	0.91		
WBAA1936S	19" x 3'-6" All Aluminum Walk Board	42	1.07	17.3	7.85
WBAA1939	19" x 3'-9" All Aluminum Walk Board	45	1.15	18.1	8.2
WBAA19310	19" x 3'-10" All Aluminum Walk Board	46	1.17	18.5	8.39
WBAA194	19" x 4' All Aluminum Walk Board	48	1.22		
WBAA195	19" x 5' All Aluminum Walk Board	60	1.52		
WBAA1952	19" x 5'-2" All Aluminum Walk Board	62	1.57		
WBAA1955	19" x 5'-5" All Aluminum Walk Board	65	1.65	24.3	11
WBAA196	19" x 6' All Aluminum Walk Board	72	1.83		
WBAA197	19" x 7' All Aluminum Walk Board	84	2.13	28.9	13.1
WBAA198	19" x 8' All Aluminum Walk Board	96	2.44		
WBAA1986	19" x 8'-6" All Aluminum Walk Board	101	2.57	35.9	16.28
WBAA199	19" x 9' All Aluminum Walk Board	108	2.74		
WBAA1910	19" x 10' All Aluminum Walk Board	120	3.05	39.3	17.81

## 19" ALUMINUM PLYWOOD BOARD

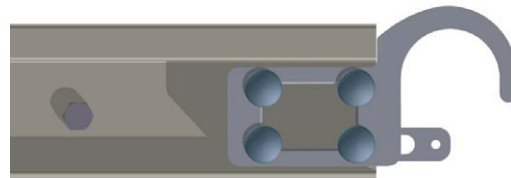
TOP VIEW



FRONT VIEW



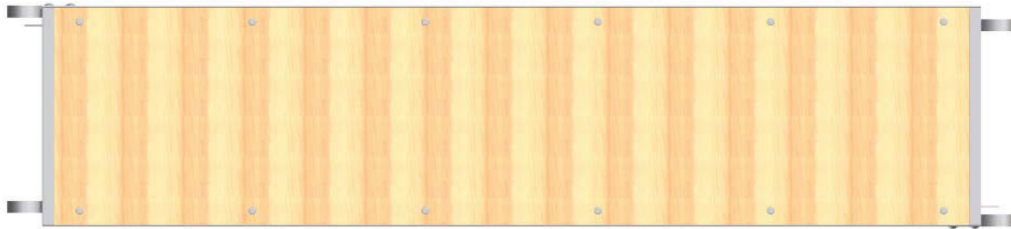
H1 Hook



Product Code	Description	Effective Length		Weight	
		Inches	Meters	Lb	Kg
WBAP1939H1	19"x3'-9" Aluminum Plywood Board	45	1.14	19.3	8.8
WBAP1952H1	19"x5'-2" Aluminum Plywood Board	62	1.57	25.4	11.5
WBAP197H1	19"x7' Aluminum Plywood Board	84	2.13	33.5	15.2
WBAP198H1	19"x8' Aluminum Plywood Board	96	2.44	37.6	17.1
WBAP1910H1	19"x10' Aluminum Plywood Board	120	3.05	43.7	19.8

## 19" ALUMINUM PLYWOOD BOARD

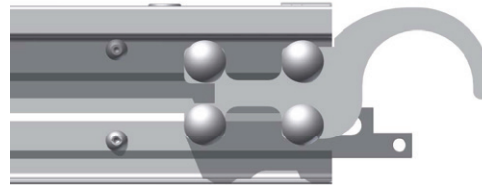
TOP VIEW



FRONT VIEW



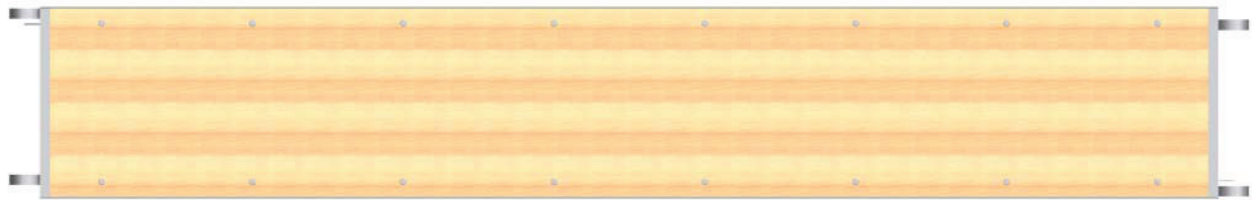
H2 Hook



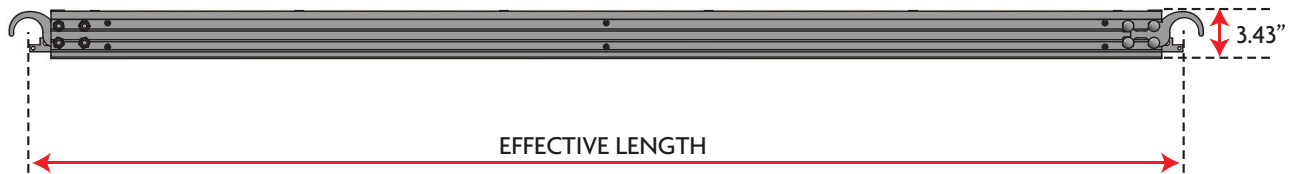
Product Code	Description	Effective Length		Weight	
		Inches	Meters	Lb	Kg
WBAP1939H2	19"x3'-9" Aluminum Plywood Walk Board	45	1.14	19.3	8.8
WBAP1952H2	19"x5'-2" Aluminum Plywood Walk Board	62	1.57	25.4	11.5
WBAP197H2	19"x7' Aluminum Plywood Walk Board	84	2.13	33.5	15.2
WBAP198H2	19"x8' Aluminum Plywood Walk Board	96	2.44	37.6	17.1
WBAP1910H2	19"x10' Aluminum Plywood Walk Board	120	3.05	43.7	19.8

## 19" WIDE ALUMINUM DEEP RAIL PLYWOOD BOARD

TOP VIEW



FRONT VIEW



H2 - Standard Hook

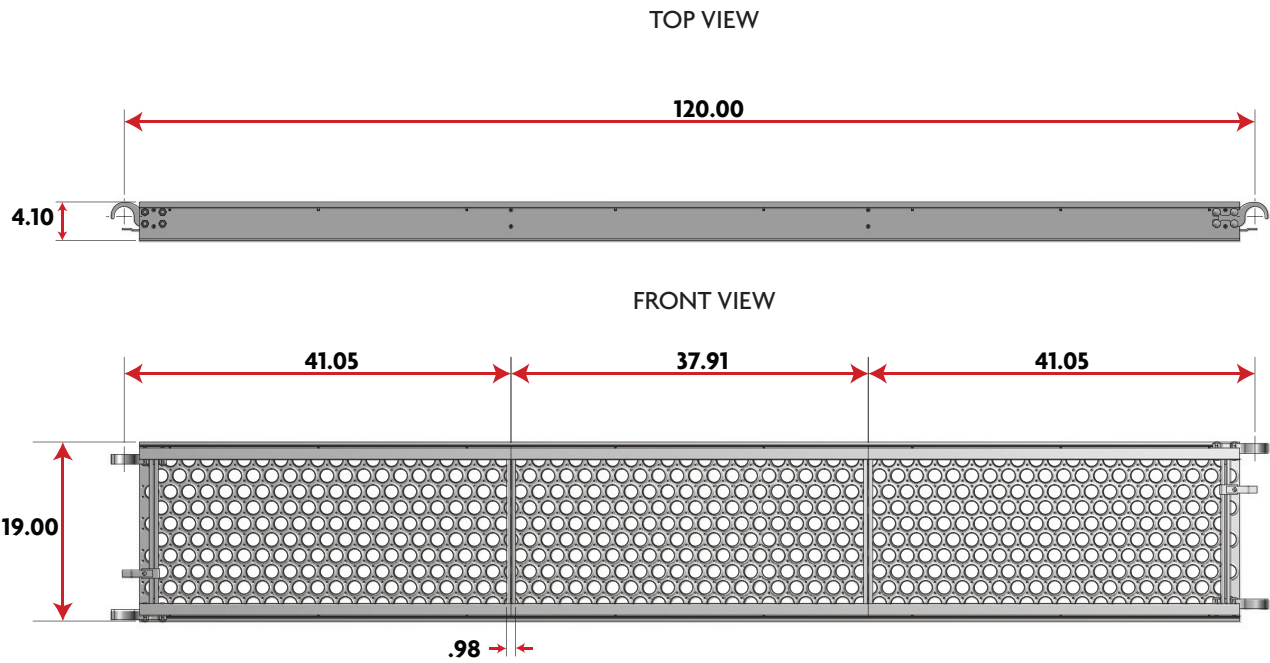


H1 - Hook is Available Upon Request

Product Code	Description	Effective Length		Weight	
		Inches	Meters	Lb	Kg
WBAP1910DRH2	19" Wide Aluminum Deep Rail Plywood Board	120	3.05	51	23



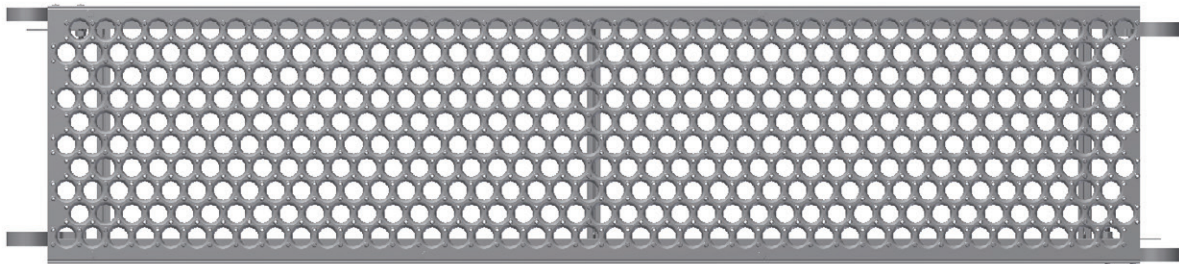
## 19" WIDE ALUMINUM DEEP RAIL STEEL TOP BOARD



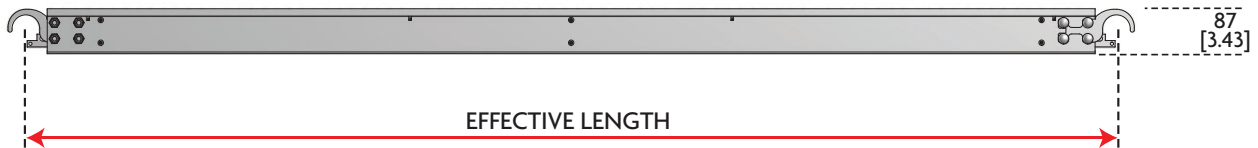
Product Code	Description	Effective Length		Weight	
		Inches	Meters	Lb	Kg
WBAS1910DR-H2	19" Wide Aluminum Deep Rail Steel Top Board	120	3.1	48.5	20.8

## 19" WIDE ALUMINUM FRAME STEEL DECK

TOP VIEW

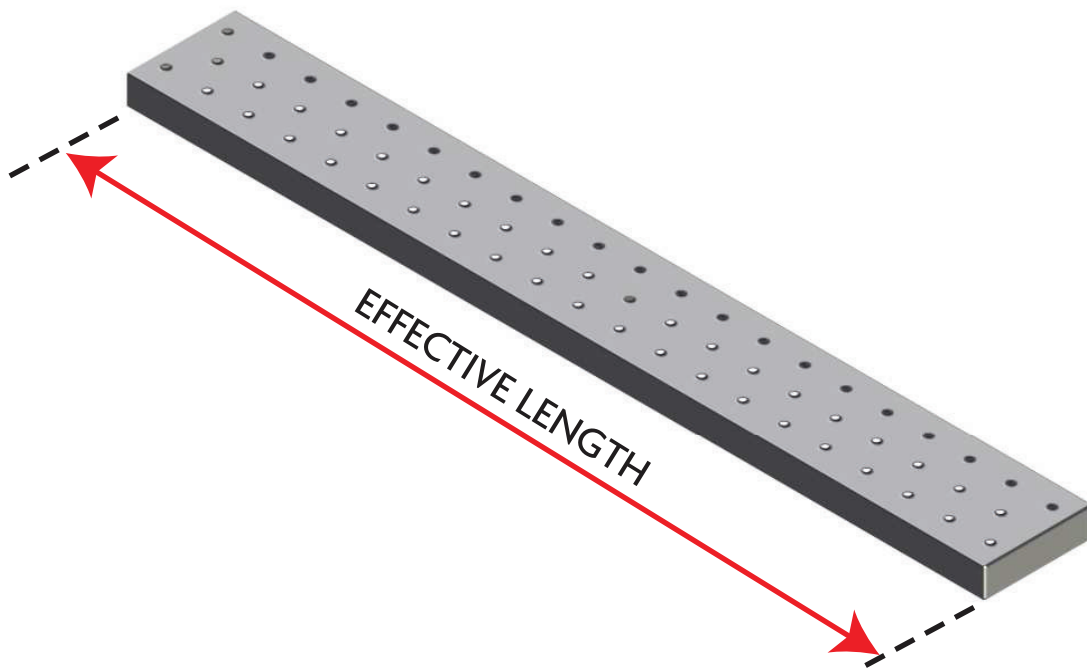


FRONT VIEW



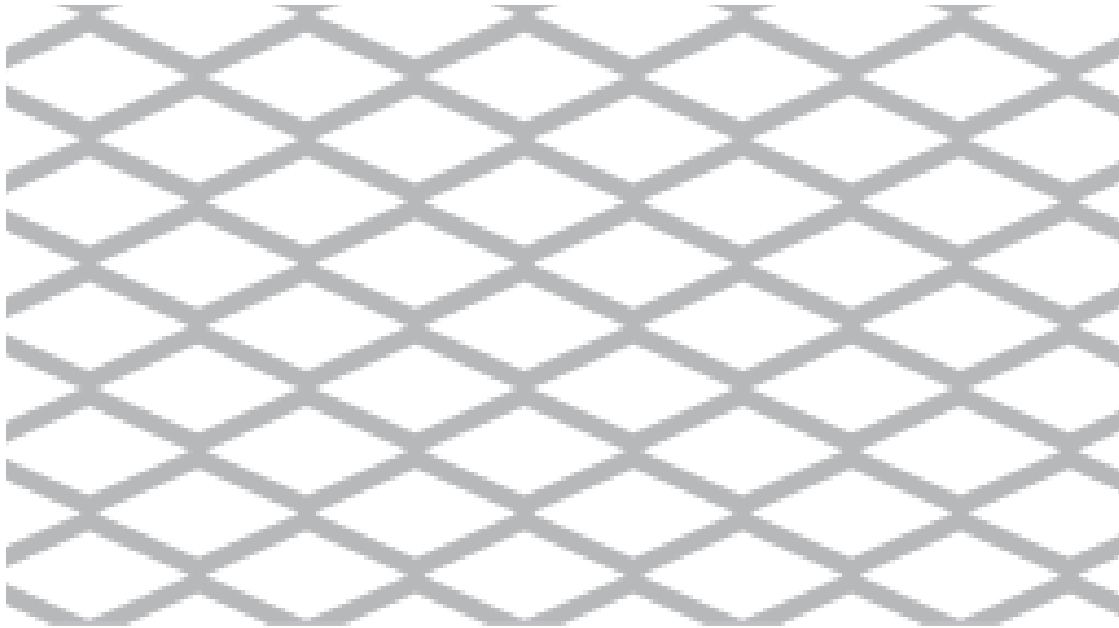
Product Code	Description	Effective Length		Weight	
		Inches	Meters	Lb	Kg
WBAS1939H2	19"x3'-9" Walk Board	45	1.14	21.01	9.6
WBAS1952H2	19"x5'-2" Walk Board	62	1.57	26.1	11.9
WBAS197H2	19"x7' Walk Board	84	2.13	34.2	15.5
WBAS1910H2	19"x10' Walk Board	120	3.05	48.5	22

## 9" STEEL BATON BOARD



Product Code	Description	Effective Length		Weight	
		Inches	Meters	Lb	Kg
WBBB24	2'-4" Baton Board Pre-Gal	27.6	0.7	10	4.6
WBBB28	2'-8" Baton Board Pre-Gal	31.5	0.8	12.1	5.5
WBBB311	3'-11" Baton Board Pre-Gal	46.04	1.2	16	7.3
WBBB511	5'-11" Baton Board Pre-Gal	69.07	1.8	23.1	10.5
WBBB711	7'-11" Baton Board Pre-Gal	92.09	2.4	30.4	13.8
WBBB910	9'-10" Baton Board Pre-Gal	115.11	3	40.1	18.2

## CATWALK GRATING

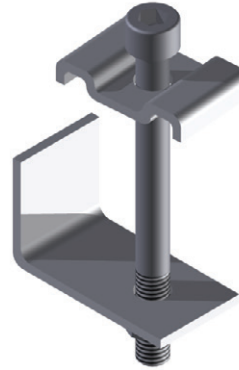


Product Code	Description	Width		Length		Weight	
		Inches	Meters	Inches	Meters	Lb	Kg
EMG31224	1'x2' Catwalk Grating	12	0.3	24	0.61	6	2.7
EMG32424	2'x2' Catwalk Grating	24	0.61	24	0.61	12	5.4
EMG31248	1'x4' Catwalk Grating	12	0.03	48	1.22	12	5.4
EMG32448	2'x4' Catwalk Grating	24	0.61	40	1.22	24	10.9

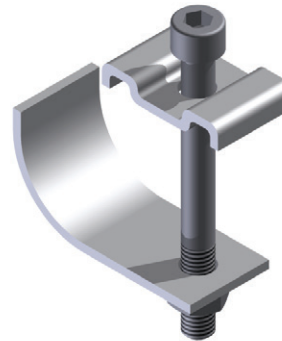
## CATWALK GRATING CLIPS



EMG3PSLC

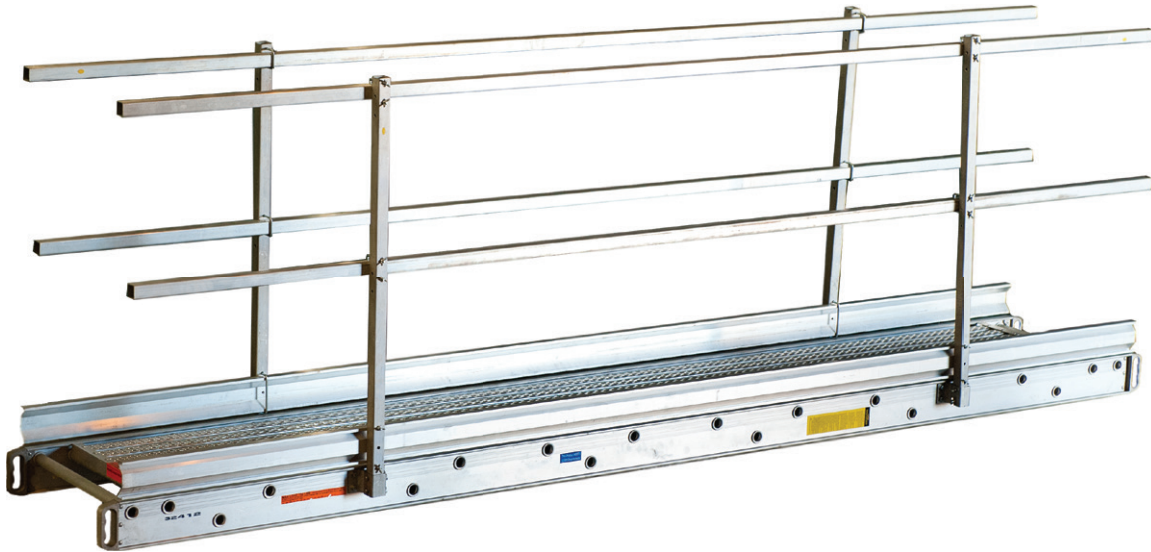


EMG3USLC



Product Code	Description	Weight	
		Lb	Kg
EMG3PSLC	Catwalk Grating Clip	0.04	0.02
EMG3USLC	Catwalk Grating Universal Clip	0.04	0.02

## STAGE BOARDS



### ALUMINUM PLANK - TWO MAN UNIT 500 L.B. DUTY RAILING

Length (Ft.)	Rail Depth (In.)	12" Wide		24" Wide		28" Wide	
		Part #	Weight	Part #	Weight	Part #	Weight
12	3.5	PB21212	36	PB22412	48	PB22812	53
16	4.5	PB21216	53	PB22416	72	PB22816	79
20	5.25	PB21220	77	PB22420	99	PB22820	110
24	5.25	PB21224	91	PB22424	114	PB22824	130
28	6	-	-	PB22428	155	PB22828	170
32	6	-	-	PB22432	177	PB22832	192
36	6.5	-	-	PB22436	241	PB22836	260
39	6.5	-	-	PB22439	268	PB22839	288

**NOTE:** Stage Boards do not come with guardrails. Please contact the DSS office for guardrail package information.



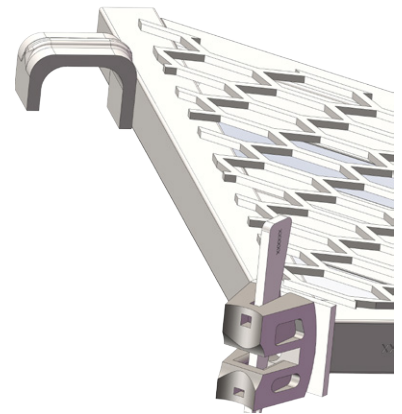
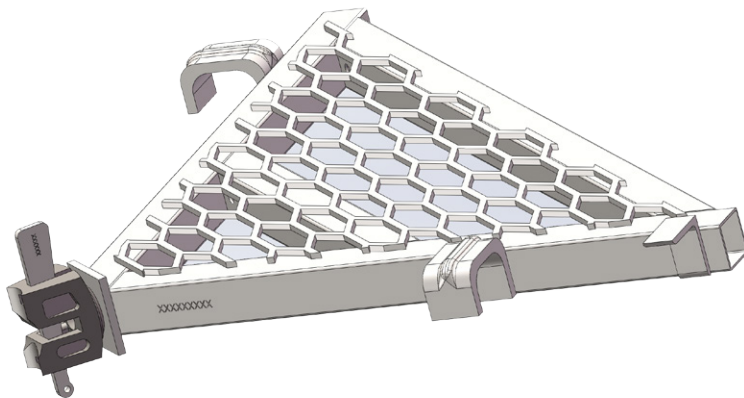
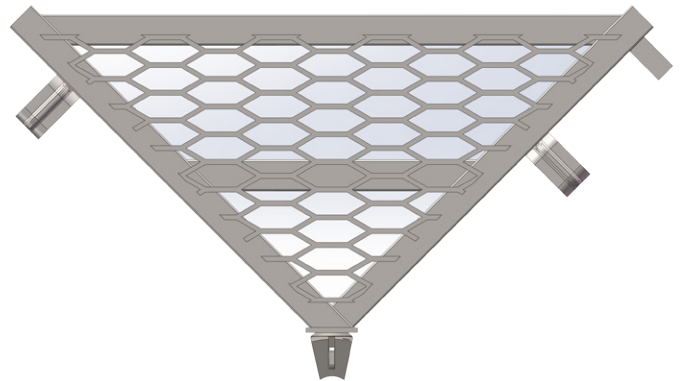
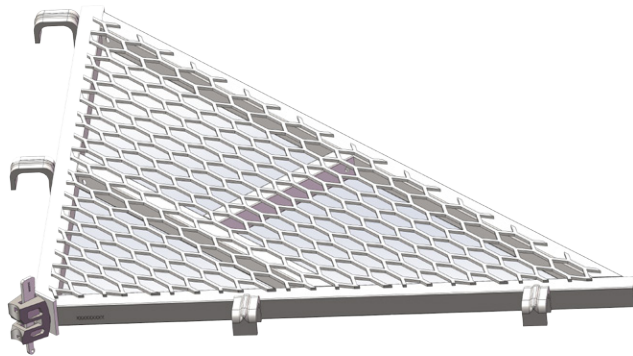
## STAGE BOARDS

### ALUMINUM PLANK - THREE MAN UNIT 750 L.B. DUTY RAILING

Length (Ft.)	Rail Depth (In.)	24" Wide		28" Wide	
		Part #	Weight	Part #	Weight
12	5.25	PB32412	65	PB32812	74
16	5.25	PB32416	80	PB32816	90
20	6	PB32420	111	PB32820	121
24	6	PB32424	133	PB32824	145
28	6.5	PB32428	188	PB32828	200
32	6.5	PB32432	243	PB32832	262
36	7	PB32436	273	PB32836	294
39	7	PB32439	305	PB32839	357

**NOTE:** Stage Boards do not come with guardrails. Please contact the DSS office for guardrail package information.

## CORNER BRACKET WALKBOARD



Product Code	Description	Effective Length	
		Inches	Meters
WBCB-RL22	Ring Lock Corner Bracket	26	.65
WBCB-RL39	Ring Lock Corner Bracket	45	1.15



## 28" HATCH PLANK W/ ALUMINUM LADDER



Product Code	Description	Effective Length		Weight	
		Inches	Meters	Lb	Kg
WBAPSH287TH-H2	28" x 7" Aluminum Plywood Hatch Plank w/ Aluminum Ladder	84	2.13	72.8	33
WBAPSH2810TH-H2	28" x 10" Aluminum Plywood Hatch Plank w/ Aluminum Ladder	120	3.05	90.8	41.2

Product Code	Description	Effective Length		Weight	
		Inches	Meters	Lb	Kg
WBAASH287TH-H2	28" x 7" All Aluminum Hatch Plank w/ Aluminum Ladder	84	2.13	82	37.2
WBAASH2810TH-H2	28" x 10" All Aluminum Hatch Plank w/ Aluminum Ladder	120	3.05	104.1	47.2